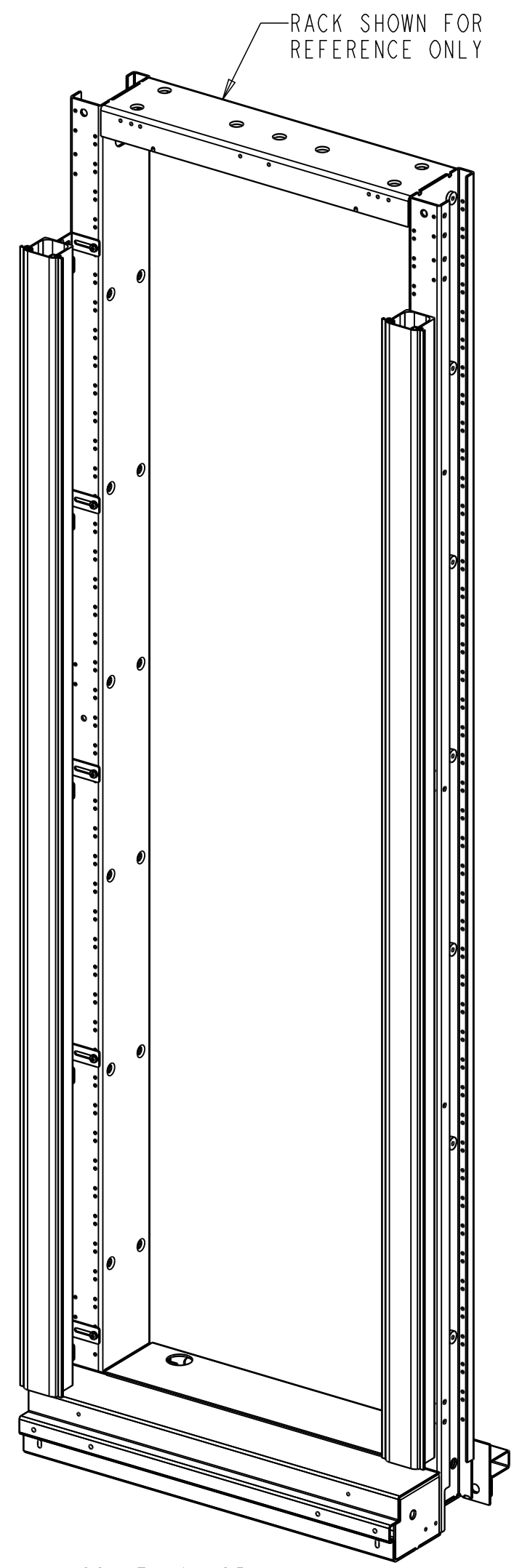
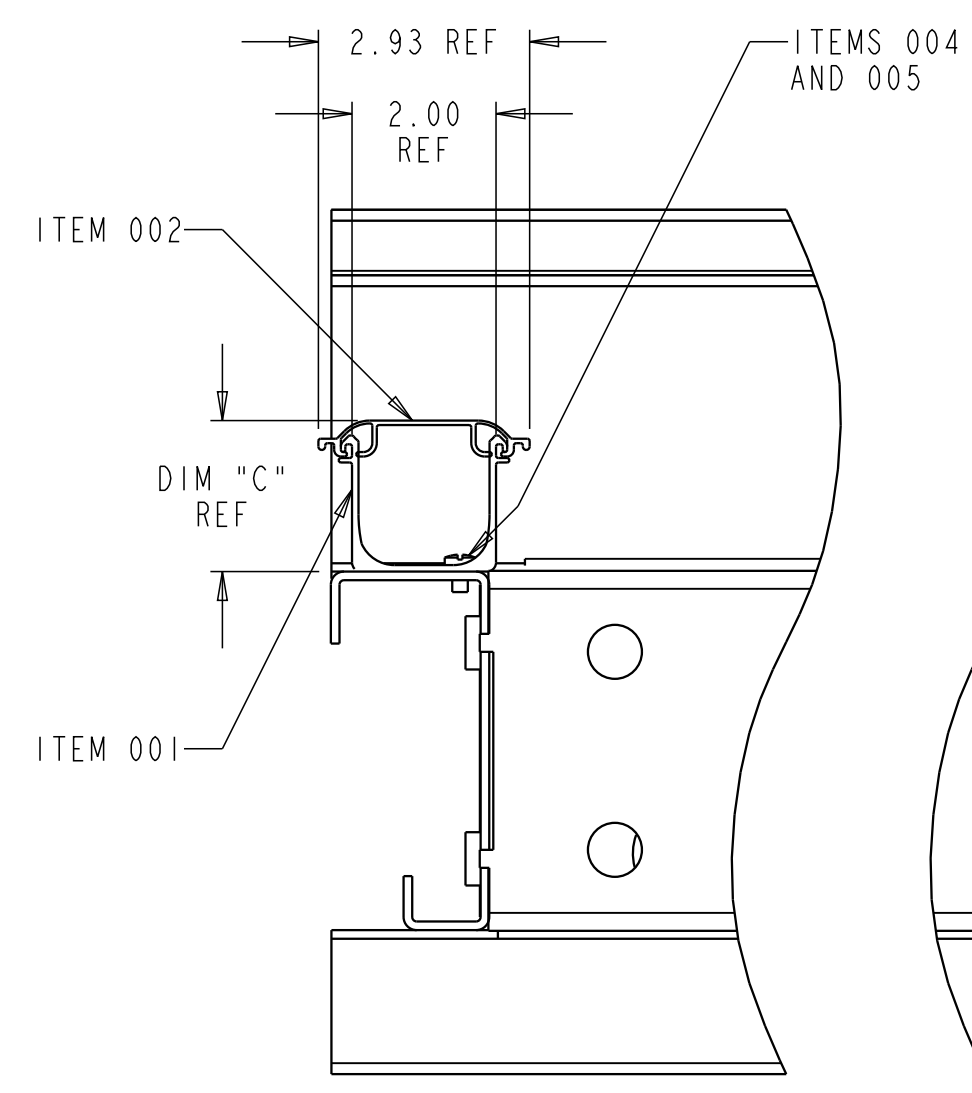


LIST OF PARTS IN KIT		
ITEM	DESCRIPTION	QTY
001	2" WIDE VERTICAL DUCT	1
002	2" WIDE HINGED COVER	1
003	MOUNTING BRACKET	10
004	#12-24 X .375 SCREWS	5
005	#12 FLAT WASHERS	10
006	#12-24 HEX NUTS	5
007	#10-24 X .375 SCREWS	5
008	#10 FLAT WASHERS	5
009	#10-24 HEX NUTS	5
010	GROMMET STRIPS	16
011	#12-24 X 1/2 SCREWS	5



SCALE 0.125



MOUNTING OPTION 1

TOP VIEW
VERTICAL DUCT MOUNTED
DIRECTLY TO RACK
ITEM 003 MOUNTING
BRACKET NOT USED

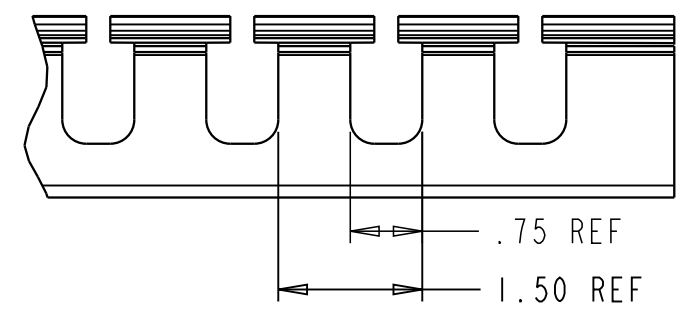
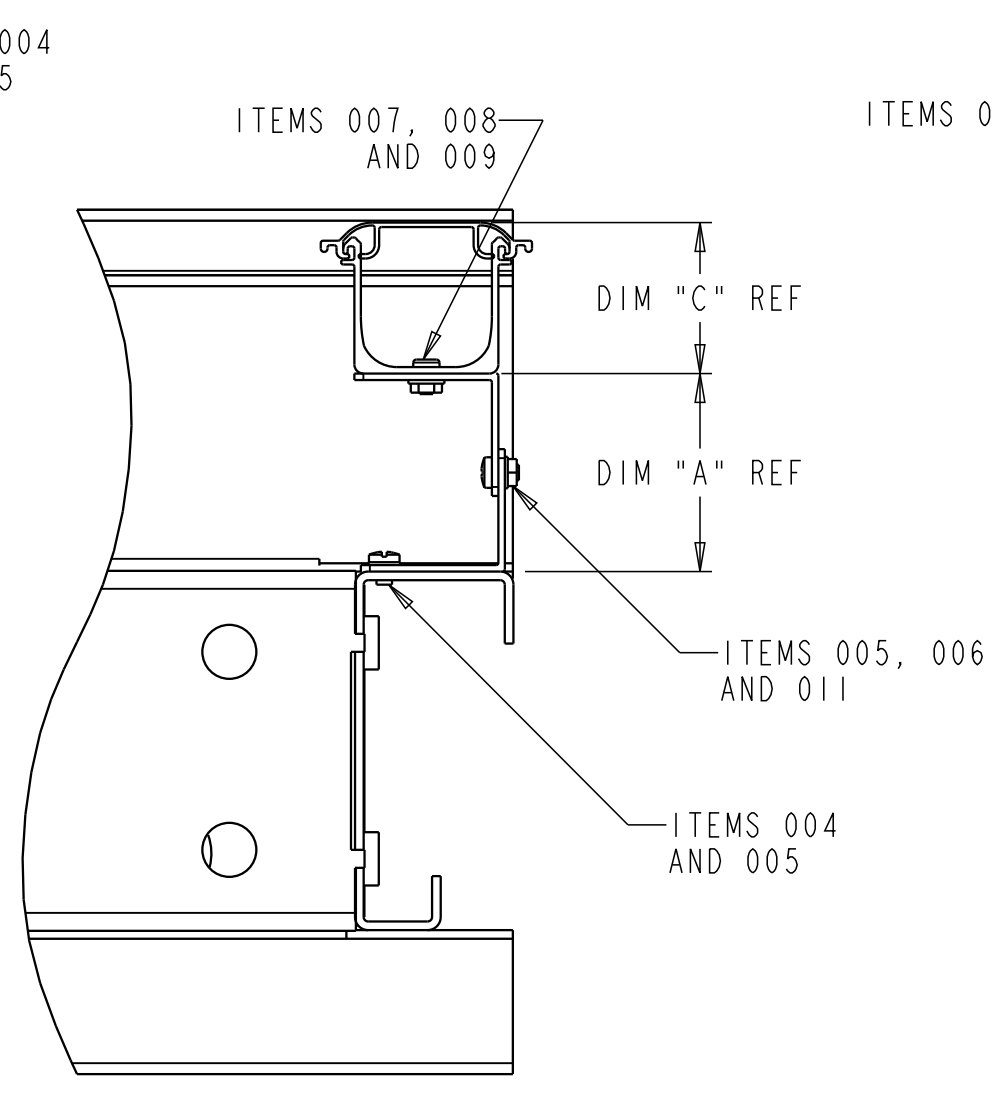


FIGURE 1
1.5" SPACING



MOUNTING OPTION 2

TOP VIEW
MOUNTING BRACKET
CONFIGURATION STYLE 1

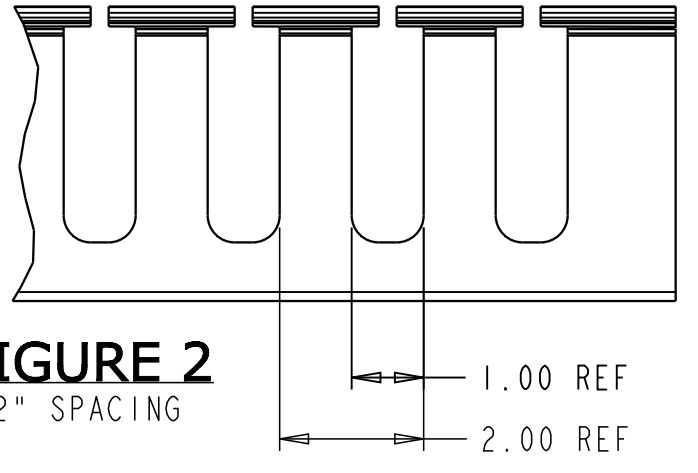
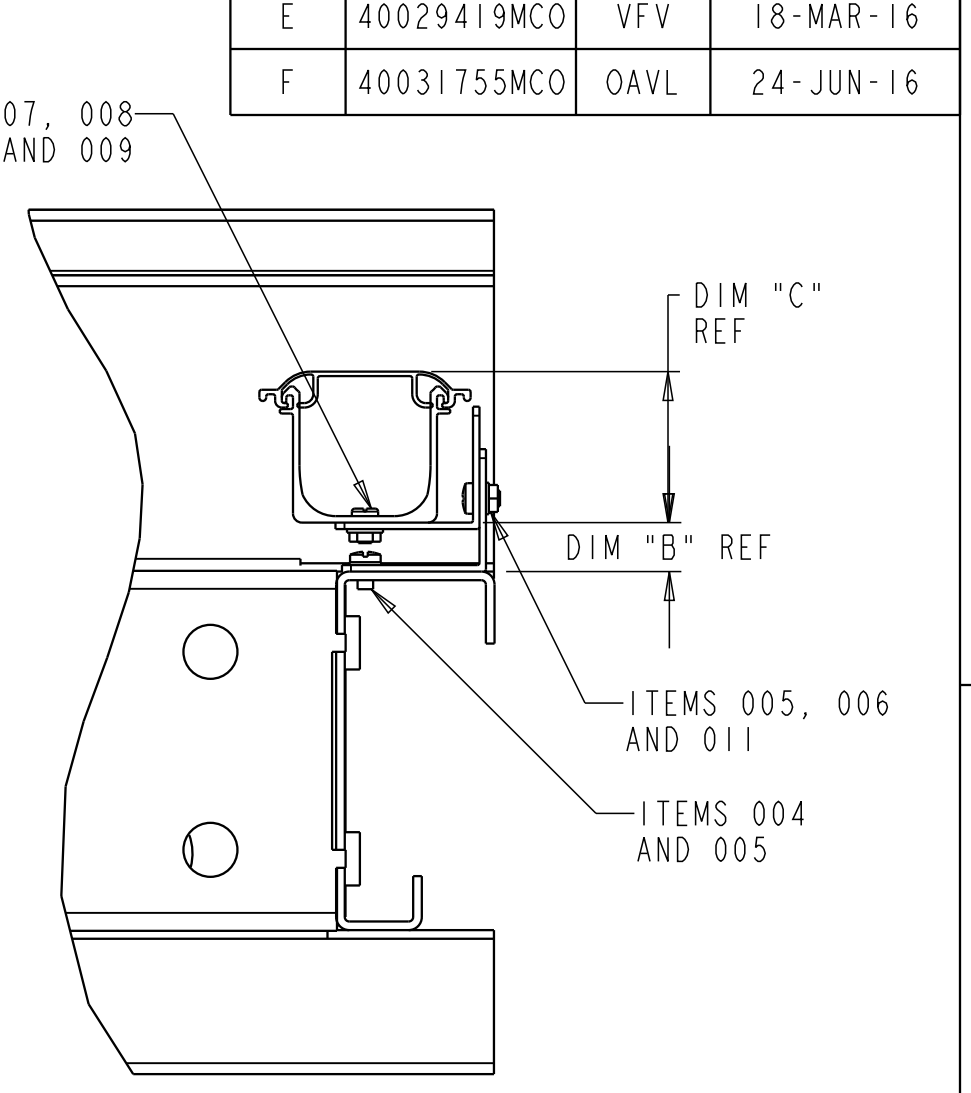


FIGURE 2
2" SPACING



MOUNTING OPTION 3

TOP VIEW
MOUNTING BRACKET
CONFIGURATION STYLE 2

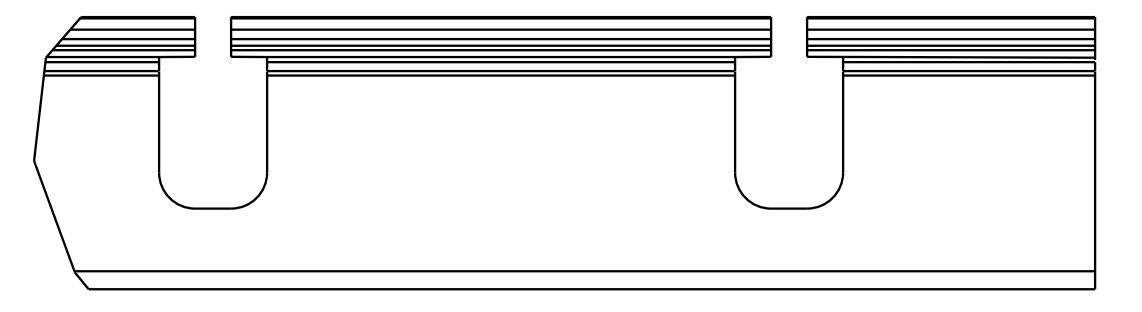


FIGURE 3
4" SPACING

NOTES:

1. ONE COPY OF THIS INSTALLATION
DRAWING INCLUDED WITH KIT.

FGSB-KTW2-RN	BLACK	4"H X 2"W	1.80 - 2.75	.68 - 1.63	4.10	NONE
FGSB-KTW1-JN	BLACK	2"H X 2"W	1.80 - 2.75	.68 - 1.63	2.10	NONE
FGSB-KTW1-JB	BLACK	2"H X 2"W	1.80 - 2.75	.68 - 1.63	2.10	FIGURE 3
FGSB-KTW1-JA	BLACK	2"H X 2"W	1.80 - 2.75	.68 - 1.63	2.10	FIGURE 1
FGS-KTW1-JB	YELLOW	2"H X 2"W	1.80 - 2.75	.68 - 1.63	2.10	FIGURE 3
FGS-KTW1-JN	YELLOW	2"H X 2"W	1.80 - 2.75	.68 - 1.63	2.10	NONE
FGS-KTW2-RN	YELLOW	4"H X 2"W	1.80 - 2.75	.68 - 1.63	4.10	NONE
FGS-KTW2-R	YELLOW	4"H X 2"W	1.80 - 2.75	.68 - 1.63	4.10	FIGURE 2
FGSB-KTW2-R	BLACK	4"H X 2"W	1.80 - 2.75	.68 - 1.63	4.10	FIGURE 2
FGS-KTW1-JA	YELLOW	2"H X 2"W	1.80 - 2.75	.68 - 1.63	2.10	FIGURE 1
CATALOG NUMBER	COLOR	DUCT SIZE	DIM "A"	DIM "B"	DIM "C"	SLOT SPACING

© 2016 COMMSCOPE, INC. CONFIDENTIAL
NOTICE: THESE DRAWINGS AND SPECIFICATIONS
ARE THE PROPRIETARY PROPERTY OF
COMMSCOPE, INC. AND MAY BE USED ONLY FOR THE
SPECIFIC PURPOSE AUTHORIZED IN WRITING BY
COMMSCOPE, INC.

TITLE INSTALLATION DRAWING
VERT FIBERGUIDE 2" WIDE
DUCT AND COVER KITS
DRAWING NUMBER 1438996_ADC
F REV

COMMSCOPE, INC.

ALL DIMS AND TOLERANCES .XX:±N/A
ARE INCHES UNLESS .XXX:±N/A
OTHERWISE SPECIFIED ANGULAR:±N/A

DO NOT SCALE DRAWING

ENGR: DEREK SAYRES
DWN: DEREK SAYRES

SHT. 1 OF 1

DIMENSIONS IN INCHES
THIRD ANGLE PROJECTION