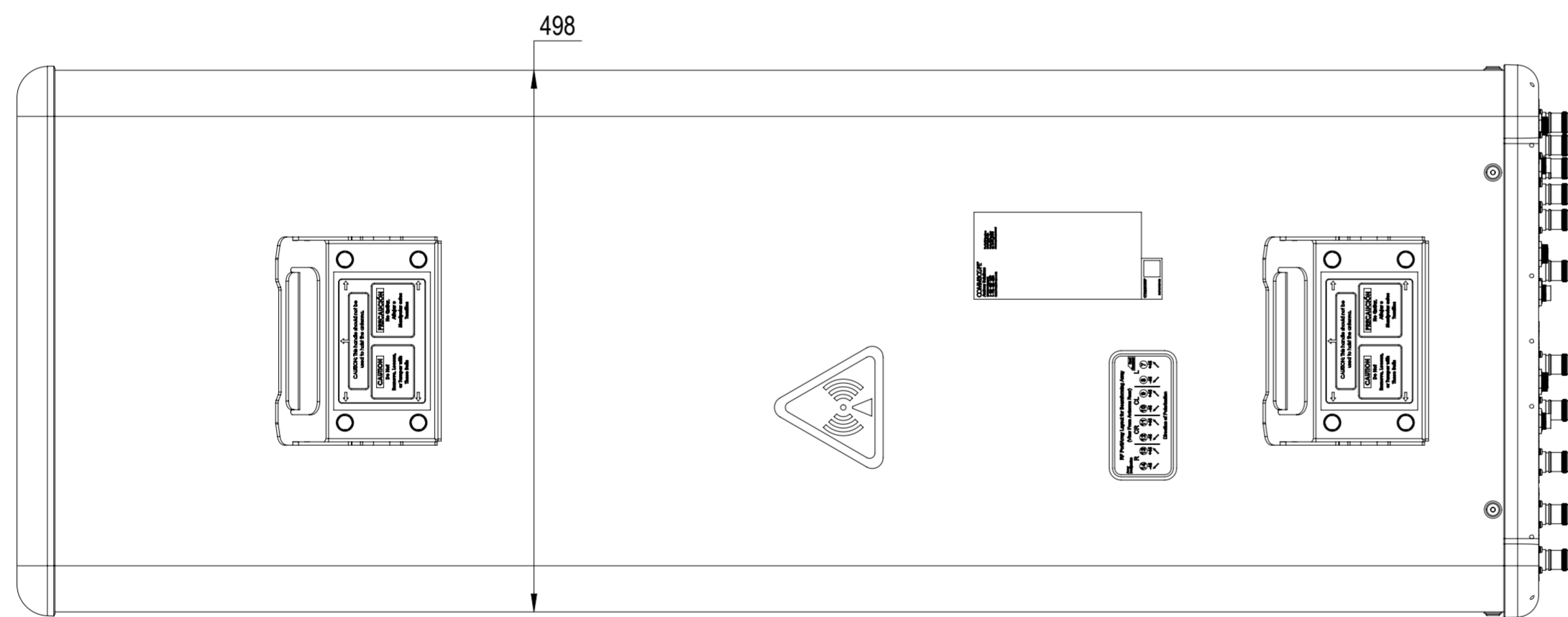
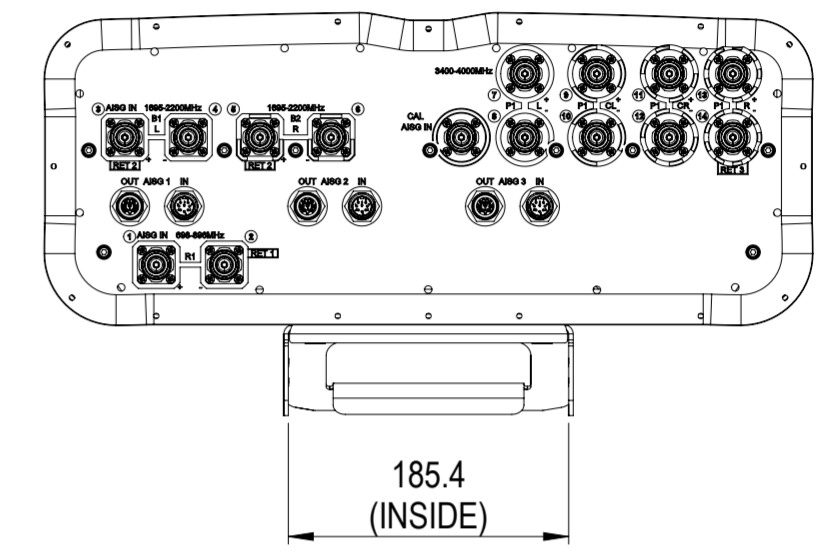
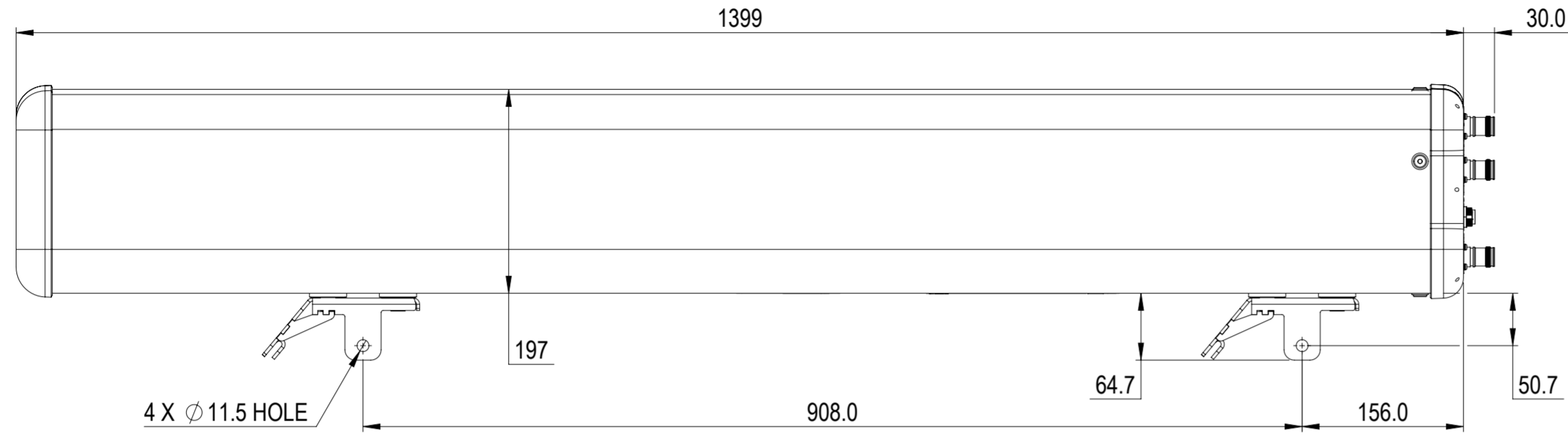


REVISIONS			
REV.	DESCRIPTION	DATE	APPROVED
A	ECR 13451: RELEASE TO PRODUCTION PER EAO 608733.	29SEP21 SN	RT/NM
B	ECR 40152755CMO: UPDATE DRAWING WITH LATEST MODEL.	28JUL22 CN	DM.WANG/WFW



NHHS4-45A-R3B

COMMSCOPE, INC. OF NORTH CAROLINA

TOLERANCES		SAP MATERIAL MASTER	
0 PLACE X ±	2 PLACE .XX ±		
1 PLACE .X ±	ANGLES ±		
FINISH		MATERIAL	
<small>UNLESS OTHERWISE SPECIFIED DIMENSIONS ARE IN MILLIMETERS INTERPRET PER ISO STANDARDS HANDBOOK TECHNICAL DRAWINGS VOLUMES 1 & 2, THIRD EDITION (2002)</small>		NAME	DATE
		CE SNAIK8	09/29/2021
		RW RY1017	08/18/2022
		AD DW1030	08/18/2022
		RE NC1020	08/19/2022
ECN 40152755CMO		SCALE	DOCUMENT NO.
		1:5	NHHS4-45A-R3B-L
SIZE		MODEL	
A2	Auth Group BSA	VERSION	STATUS
		02	RE
		REVISION	
		C	
		DRAWING	
		VERSION	STATUS
		01	RE
		REVISION	
		B	
			SHEET
			1 OF 1