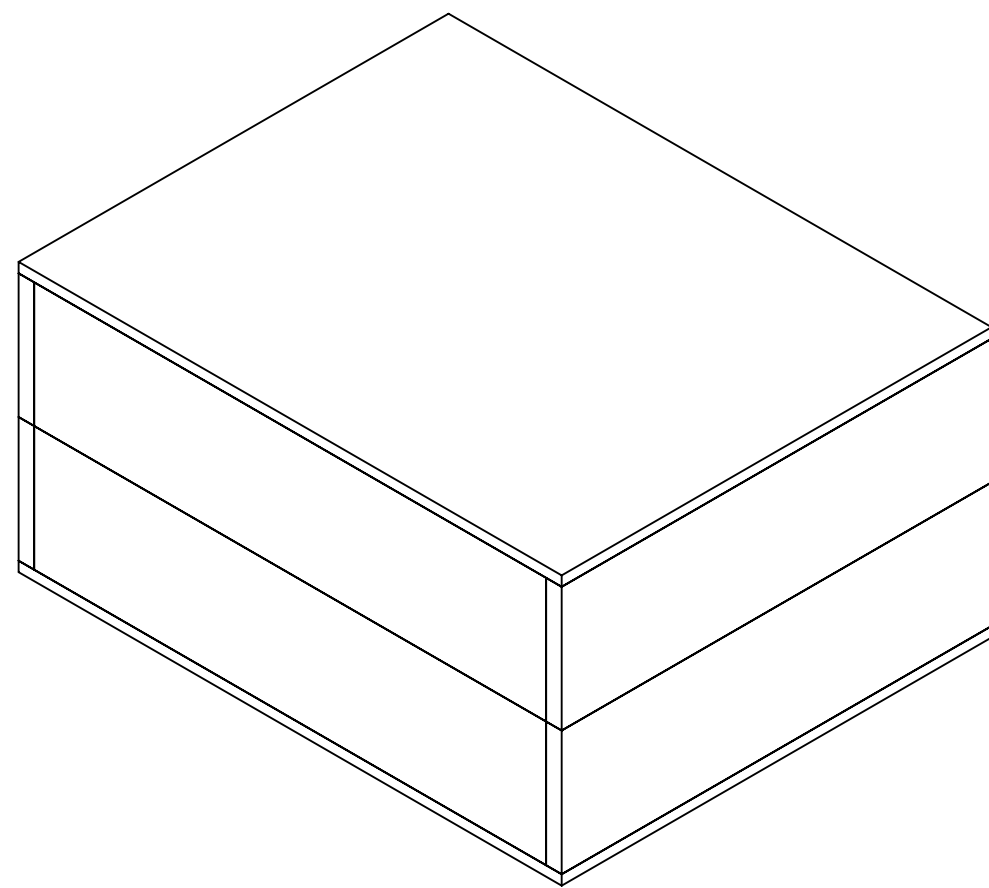
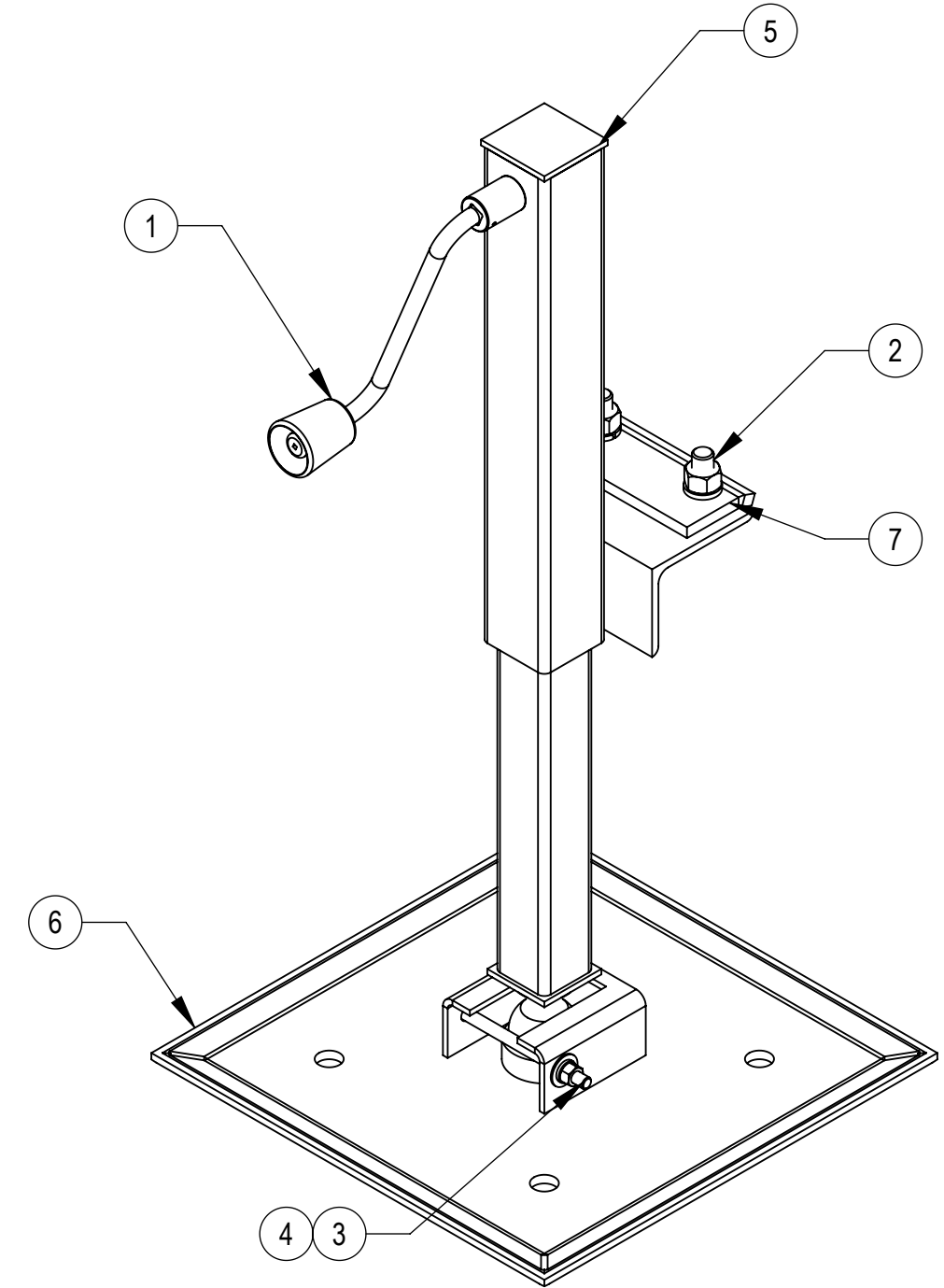
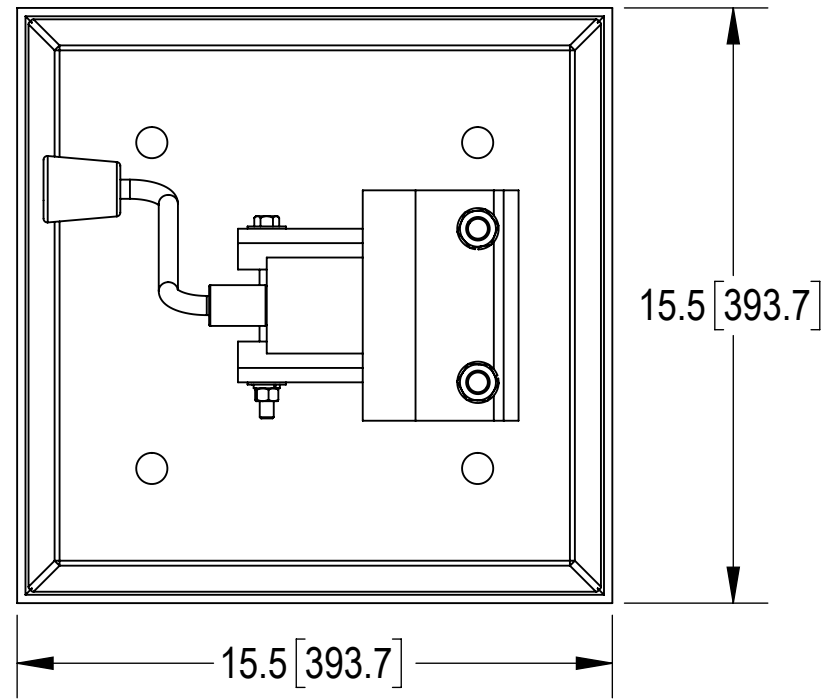
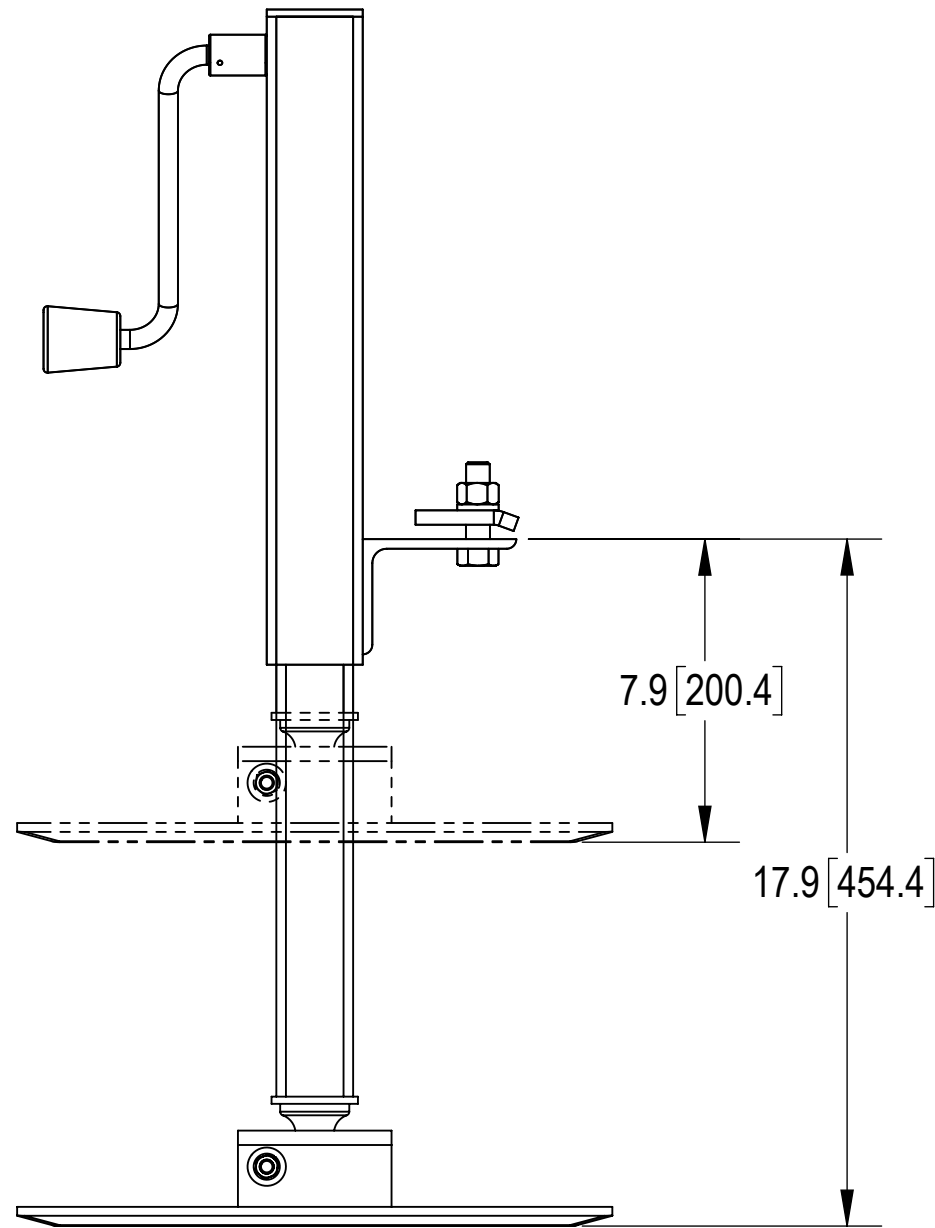


- 1.0 GENERAL NOTES
  - 1.1 ALL METRIC DIMENSIONS ARE IN BRACKETS [X.X]
  - 1.2 FOR PATENT INFO: <https://www.cs-pat.com>
- 2.0 DESIGN NOTES
- 3.0 MANUFACTURING/SPECIAL REQUIREMENTS
  - 3.1 TIGHTEN ALL BOLTS SECURING FLAT PLATES BY THE TURN-OF-NUT METHOD. TIGHTEN ALL U-BOLTS USING TURN-OF-NUT METHOD WITH ATTENTION TO LEAVE EQUAL DISTANCE AND EQUAL FORCE ON EACH LEG OF THE U-BOLT.
- 4.0 TEST
- 5.0 PACKAGING
  - 5.1 PACKAGING SHALL MEET COMMSCOPE REQUIREMENTS PER DOCUMENT IS-PL-3005
  - 5.2 PRINTED DOCUMENT TO BE PLACED INSIDE POLYBAG AND THEN IN SHIPPING CONTAINER
  - 5.3 EXTRA HARDWARE MAYBE SUPPLIED, BAGGED AND SHIPPED

REVISIONS			
REV.	DESCRIPTION	DATE	APPROVED
F	ADDED HOLE TO FOOT PLATE	MRC 17JUL18	BCROSS 8000030740
G	REDRAWN IN SOLIDWORKS	YMENG 14FEB23	BA1025 40165855CMO



PACKAGE



COMPONENT PART NUMBERS PROVIDED FOR ASSEMBLY PURPOSES;  
INDIVIDUAL COMPONENTS MAY BE SHIPPED AS PARTS WITHIN AN INCLUDED KIT.

ITEM	PART NO.	DESCRIPTION	QTY.	WEIGHT	NOTE NO.
1	EQPALC	CRANK	1	1.33 LBS	
2	GB-0522A	5/8" X 2-1/4" GALV BOLT KIT (A325)	2	0.28 LBS	
3	GB-03505	3/8" X 5" GALV BOLT KIT	1	0.17 LBS	
4	GWf-03	3/8" GALV FLAT WASHER	2	0.01 LBS	
5	MTC7902AL.05	ADJUSTABLE LEG	1	17.15 LBS	
6	MTC7902AL.04	PIVOTING FOOT FOR ADJUSTABLE LEG	1	21.30 LBS	
7	MTC7902AL07	PINCH PLATE	1	1.60 LBS	

DENSITY		lbs/in <sup>3</sup>
MASS	56.00	lbs
VOLUME	150.45	in <sup>3</sup>
SURFACE AREA	1356.37	in <sup>2</sup>
HEIGHT	11.9[301.6]	
LENGTH	24.0[609.6]	
WIDTH	19.0[482.6]	

<b>COMMSCOPE, INC. OF NORTH CAROLINA</b>									
TOLERANCES		SAP MATERIAL MASTER							
0 PLACE	X[X.] ± .25[6.3]	2 PLACE	.XX[X.] ± .03[.76]						
1 PLACE	.X[X.] ± .06[1.5]	ANGLES	± 2°						
FINISH		MATERIAL							
		<b>EQ-P-AL</b>							
UNLESS OTHERWISE SPECIFIED DIMENSIONS ARE IN INCHES INTERPRET PER ANSI Y 14.5M-1994	NAME	DATE	TITLE						
	CE YMENG	14FEB23	<b>ADJ. LEG FOR EQUIPMENT PLATFORMS</b>						
	RW YMENG	02/16/2023							
	AD YW1045	02/20/2023	SCALE	DOCUMENT NO.					
	RE YMENG	02/20/2023	<b>1:4</b>	<b>EQ-P-AL</b>					
ECN	40165855CMO								
SIZE	Auth Group	INSL	MODEL						
<b>C</b>			VERSION	STATUS	REVISION	VERSION	STATUS	REVISION	SHEET
			00	RE	--	02	RE	G	1 OF 1