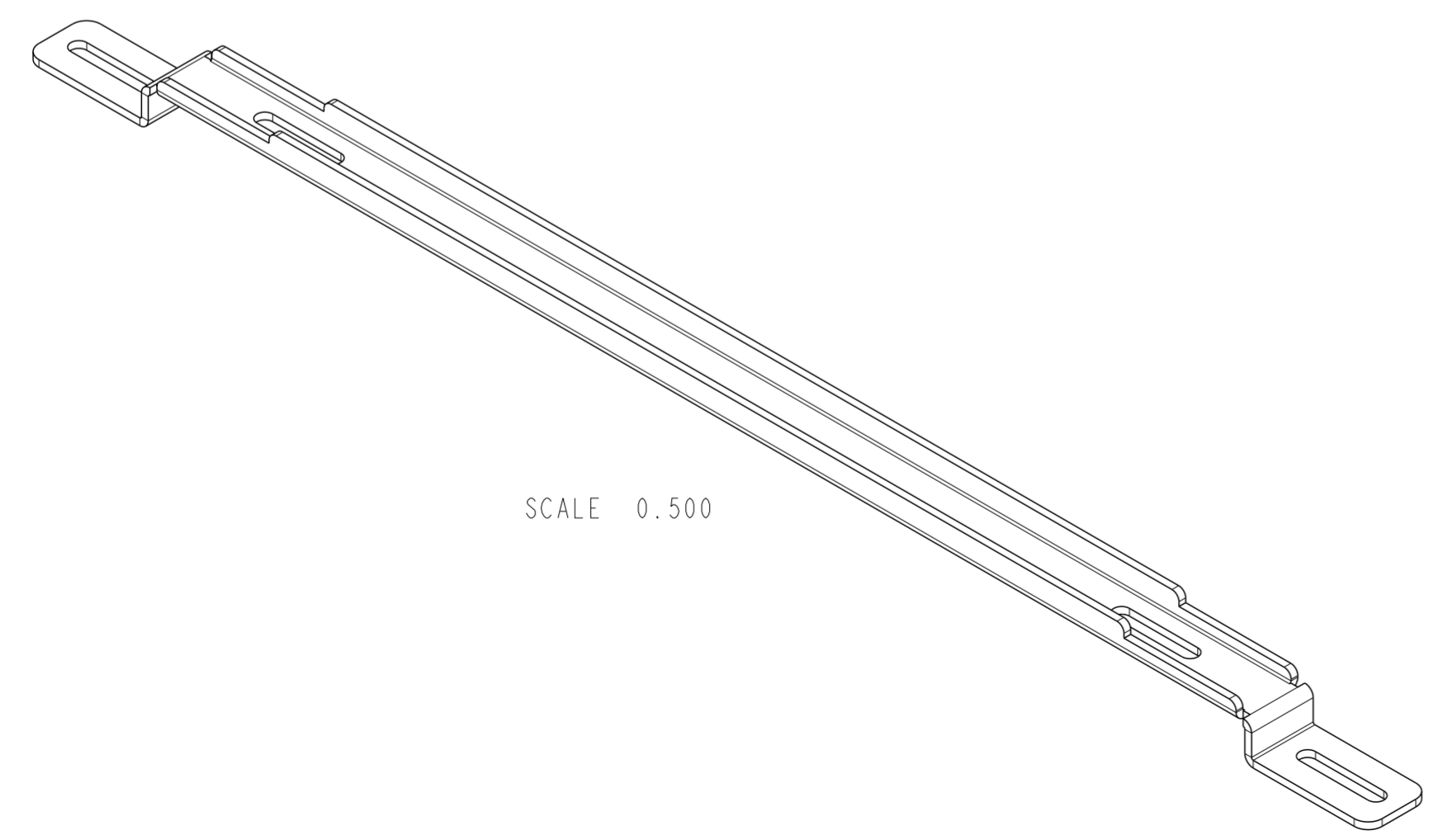
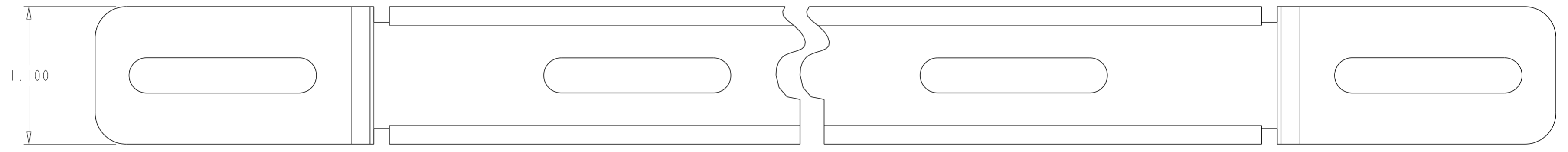
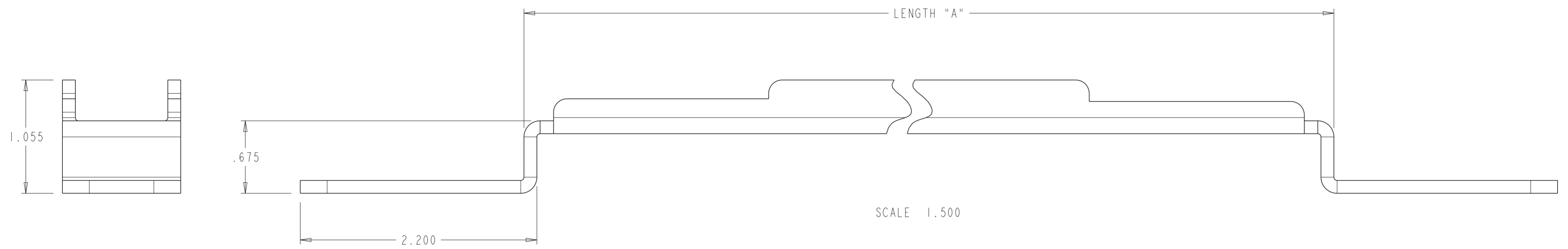


INDEPENDENT HORIZONTAL BOTTOM SUPPORT BRACKET

REVISIONS			
REV	CMO	DATE	APPROVED
A	40112847CMO	02-OCT-2020	RAT

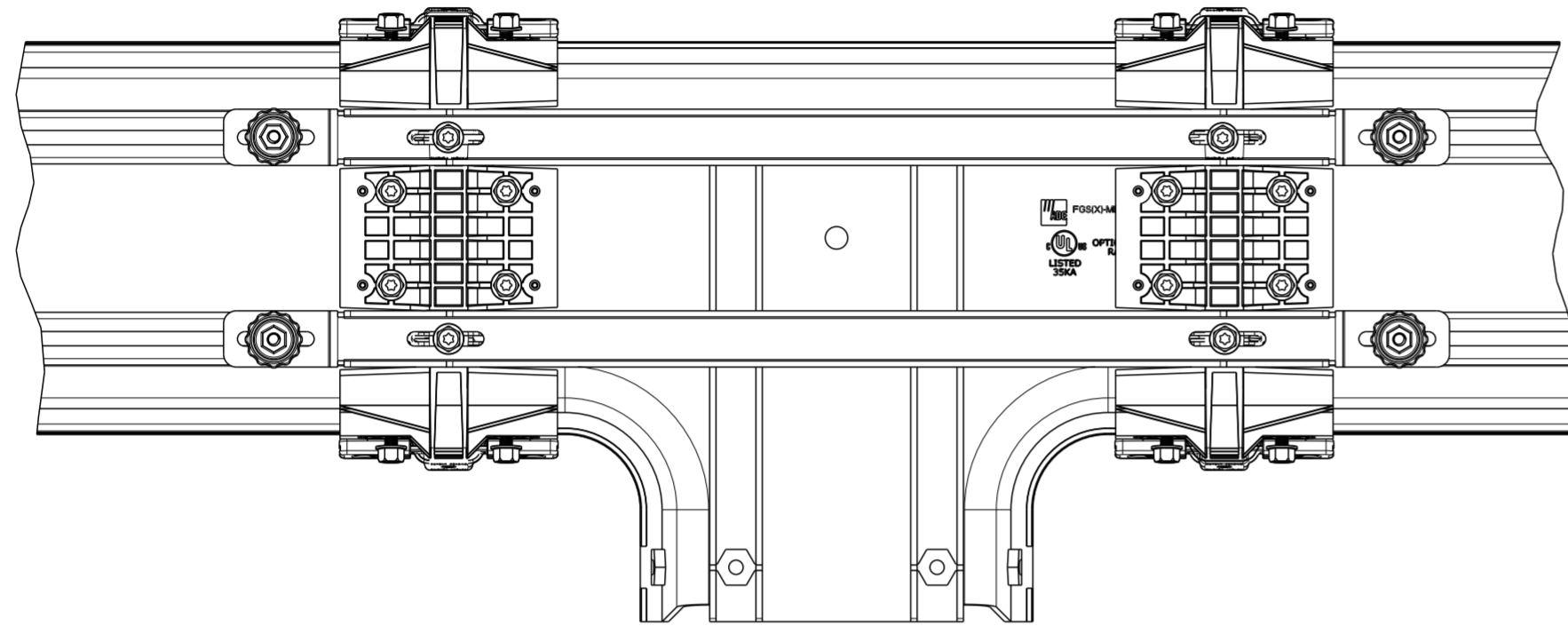


FGS-HIBS-B	19.80	4X6
FGS-HIBS-F	25.80	4X12
FGS-HIBS-H	37.80	4X24
MID	LENGTH "A"	BRKT FOR

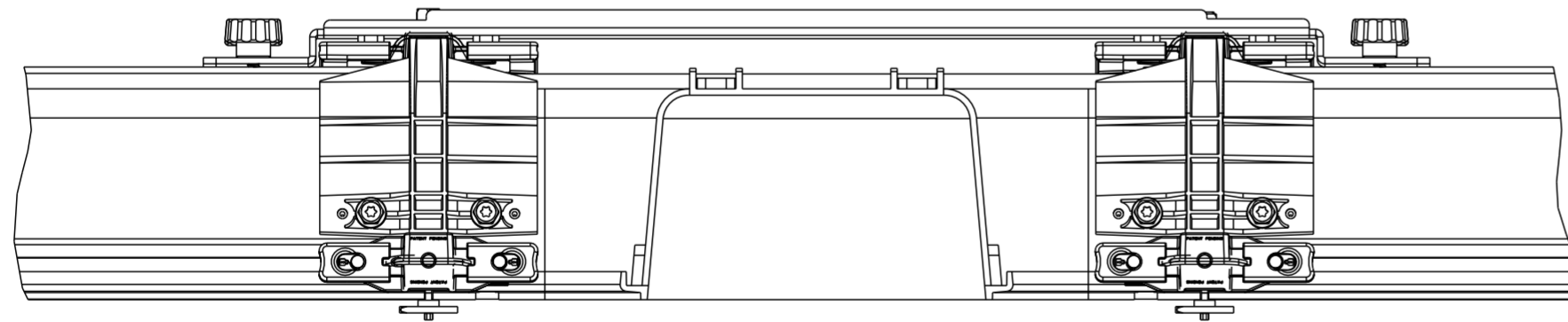
KIT PARTS LIST		
ITEMS	DESCRIPTION	QTY
001	INDEP HORZTL BTTM SUPT BRKT	2
002	QUICK KNOB WITH T-BOLT	4
003	SCREW, 1/4-20X.75, HEX/TORX	4
999	INSTLL DWG	1

COMMSCOPE, INC.			
DRAFTER OSCAR VALENZUELA		TITLE FGS INDEP HORZTL BTTM, SUPT BRKT KIT, INSTLL DWG	
ENGINEER RUBEN ARVILLA		SIZE A2	SCALE 0.333
		DOCUMENT NO. 660004060	
CUSTOMER DRAWING			REVISION A
			SHEET 1 OF 4

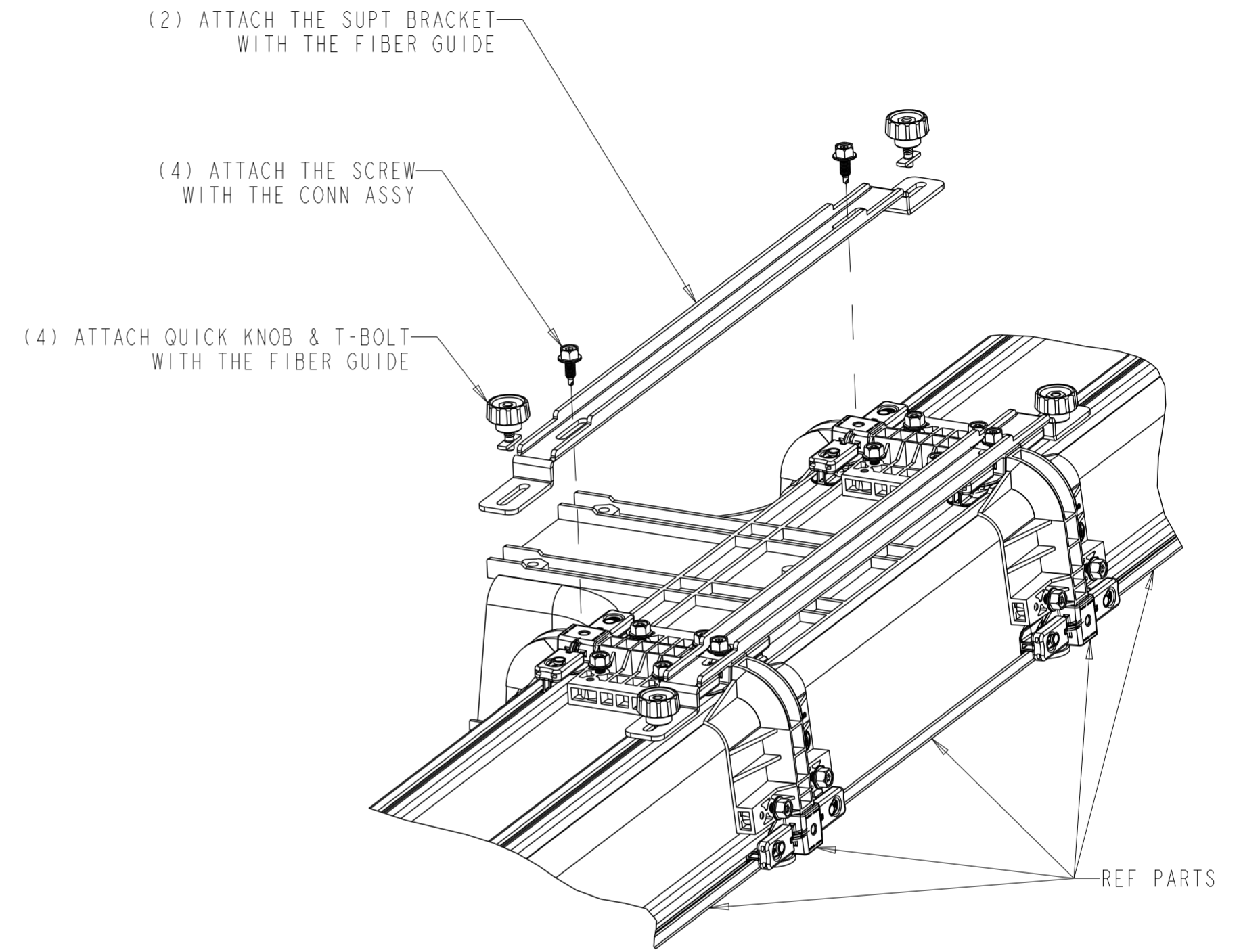
INDEP HORZTL BTTM SUPT BRKT KIT
4 X 6 HORIZONTAL T
 REF ASSEMBLY



BOTTOM VIEW
 SCALE 0.300



ISO VIEW
 SCALE 0.300



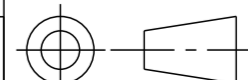
COMMSCOPE, INC.

TITLE
 FGS INDEP HORZTL BTTM
 SUPT BRKT KIT, INSTLL DWG

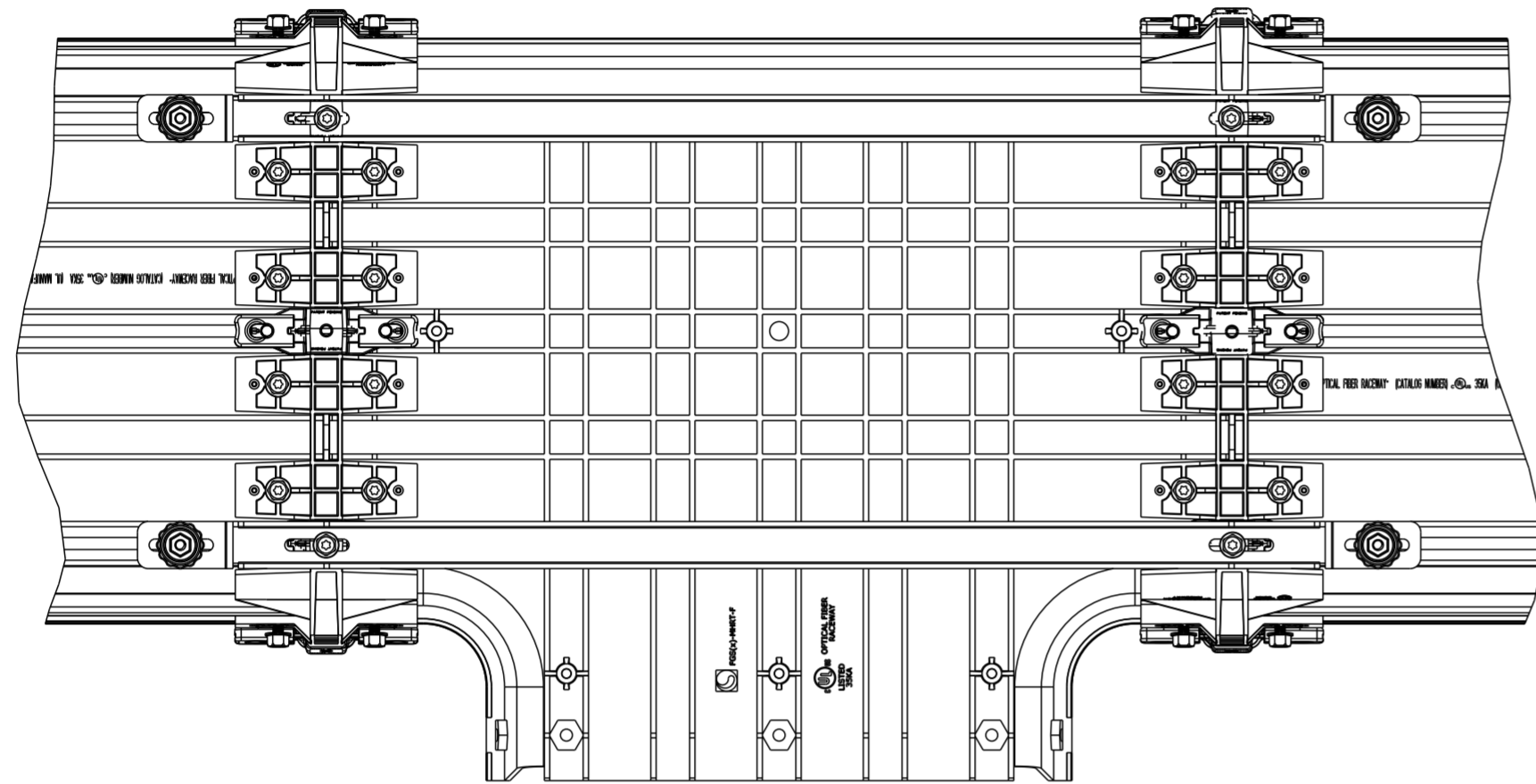
SIZE A2	SCALE 0.036	DOCUMENT NO. 660004060
------------	----------------	----------------------------------

DRAWING			SHEET 2 OF 4
VERSION 01	STATUS RE	REVISION A	

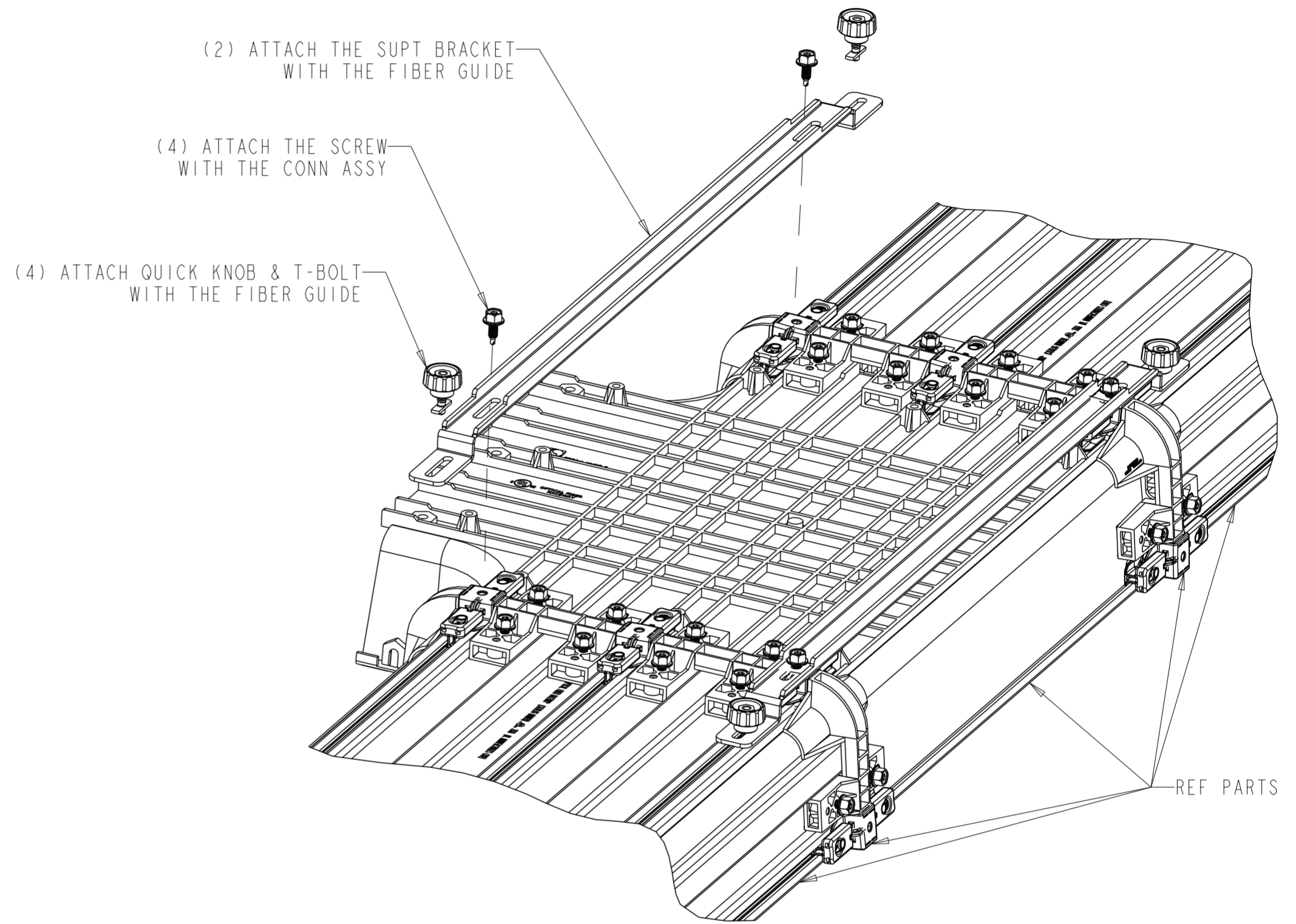
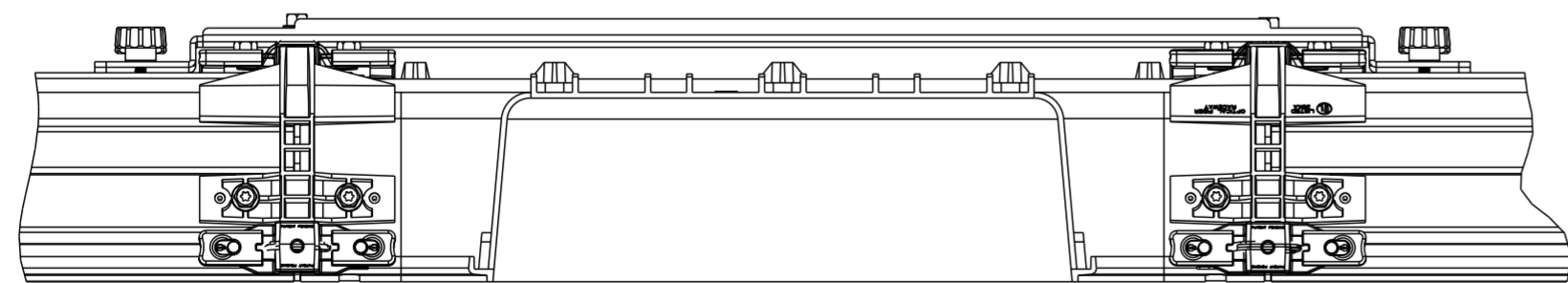
© 2020 CommScope, Inc. Confidential
 NOTICE: These drawings and specifications are the proprietary property of COMMSCOPE, INC. and may be used only for the specific purpose authorized in writing by COMMSCOPE, INC.



INDEP HORZTL BTTM SUPT BRKT KIT
4 X 12 HORIZONTAL T
 REF ASSEMBLY



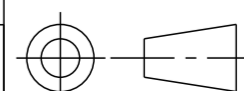
BOTTOM VIEW
 SCALE 0.250



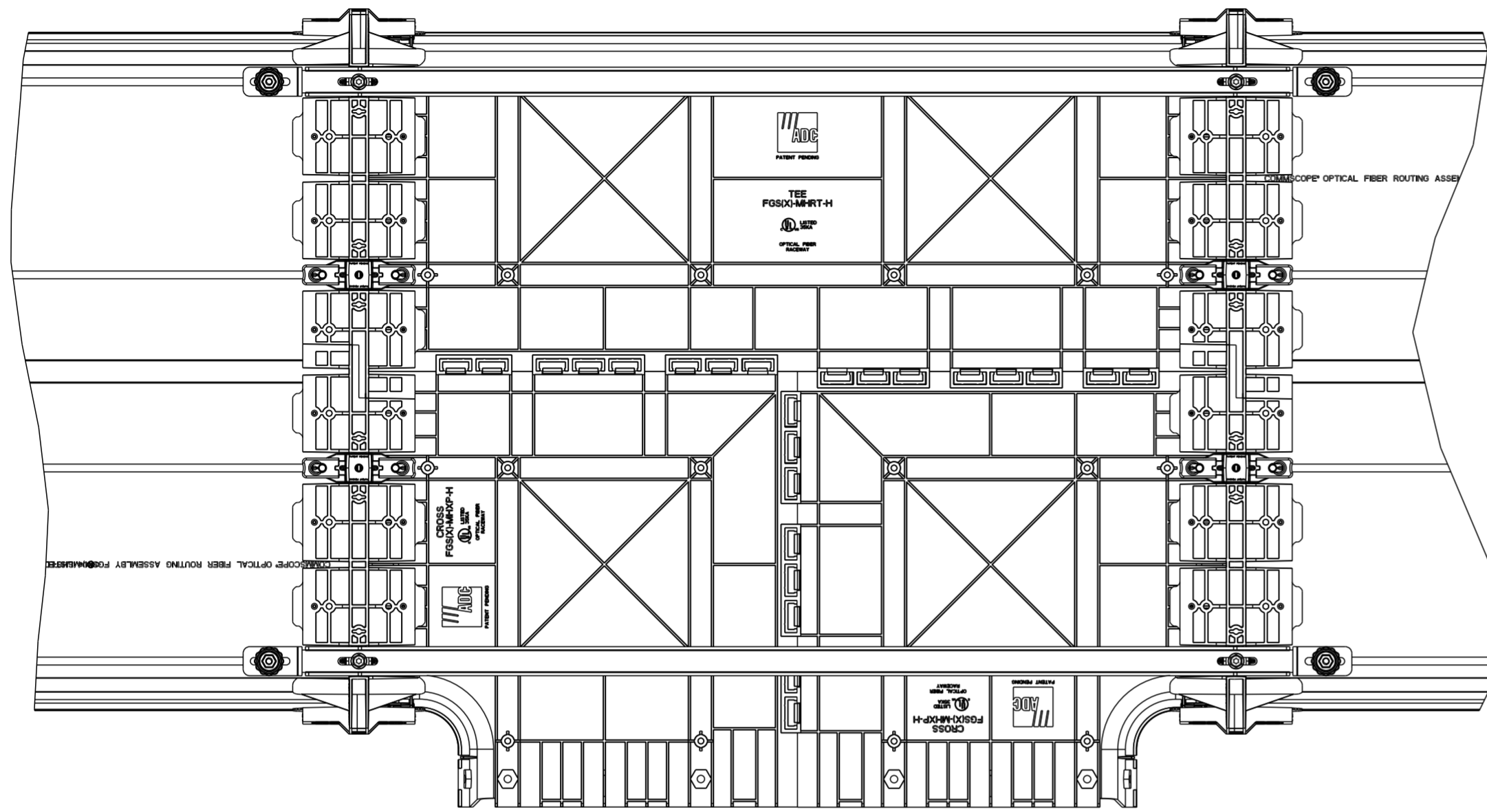
ISO VIEW
 SCALE 0.300

COMMSCOPE, INC.			
TITLE			
FGS INDEP HORZTL BTTM, SUPT BRKT KIT, INSTLL DWG			
SIZE	SCALE	DOCUMENT NO.	
A2	0.036	660004060	
DRAWING			SHEET
VERSION	STATUS	REVISION	3 OF 4
01	RE	A	

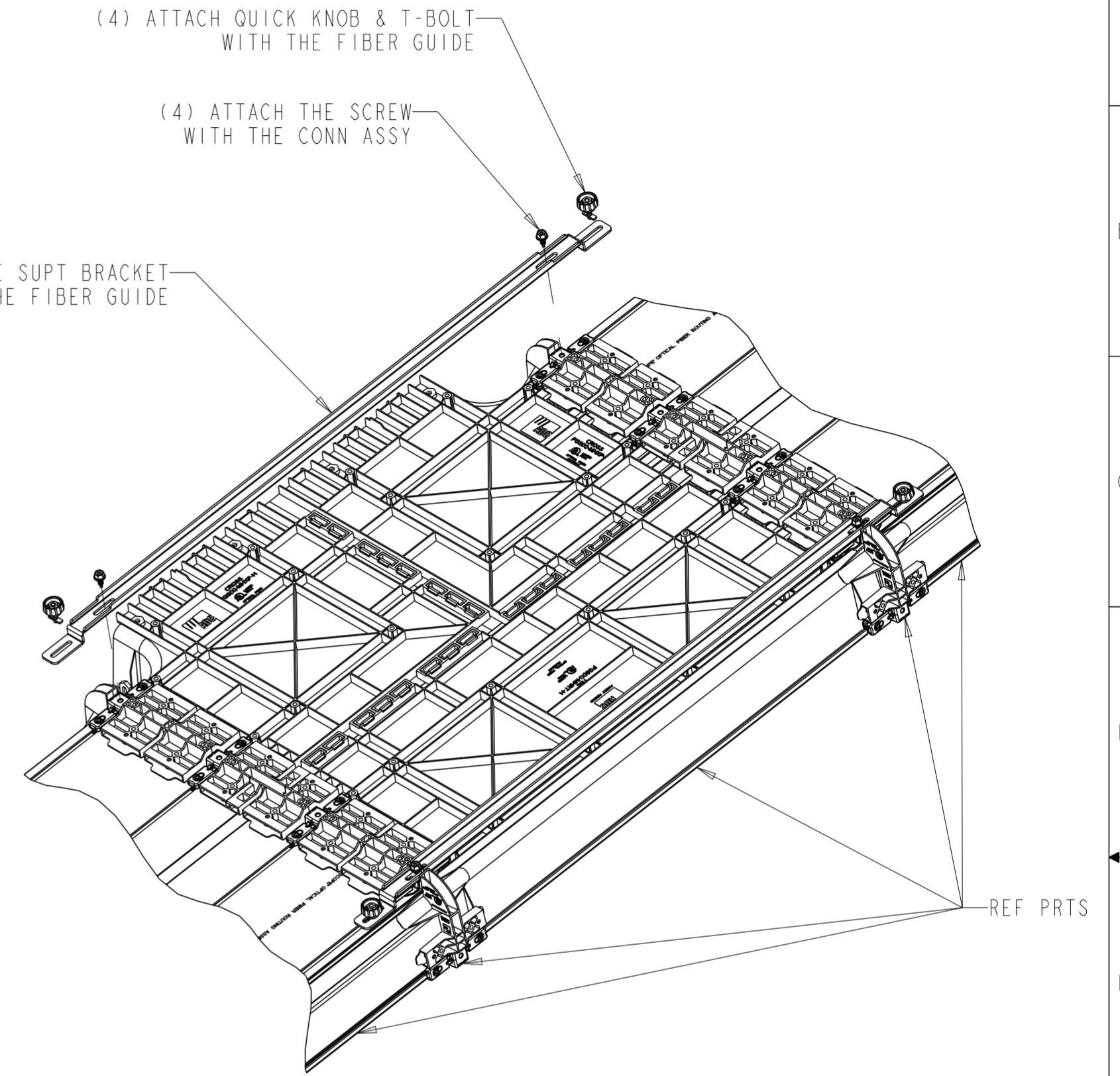
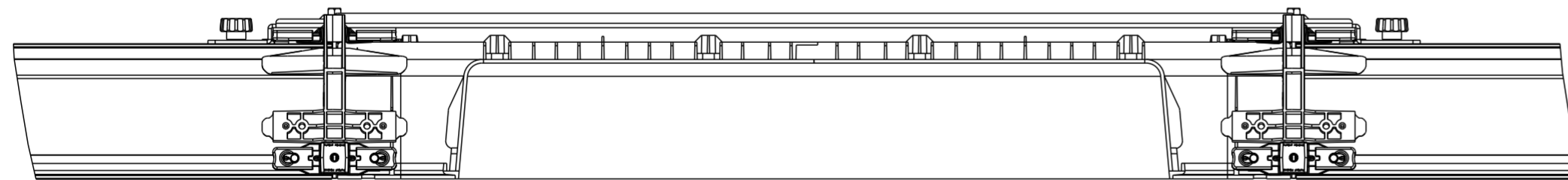
© 2020 CommScope, Inc. Confidential
 NOTICE: These drawings and specifications are the proprietary property of COMMSCOPE, INC. and may be used only for the specific purpose authorized in writing by COMMSCOPE, INC.



**INDEP HORZTL BTTM SUPT BRKT KIT
4 X 24 HORIZONTAL T
REF ASSEMBLY**



BOTTOM VIEW
SCALE 0.200



ISO VIEW
SCALE 0.150

COMMSCOPE, INC.			
TITLE			
FGS INDEP HORZTL BTTM, SUPT BRKT KIT, INSTLL DWG			
SIZE	SCALE	DOCUMENT NO.	
A2	0.333	660004060	
DRAWING			SHEET
VERSION	STATUS	REVISION	4 OF 4
01	RE	A	

© 2020 CommScope, Inc. Confidential
NOTICE: These drawings and specifications are the proprietary property of COMMSCOPE, INC. and may be used only for the specific purpose authorized in writing by COMMSCOPE, INC.

