

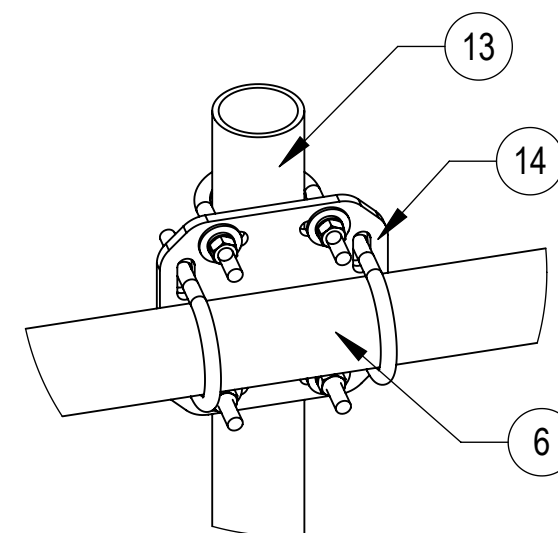
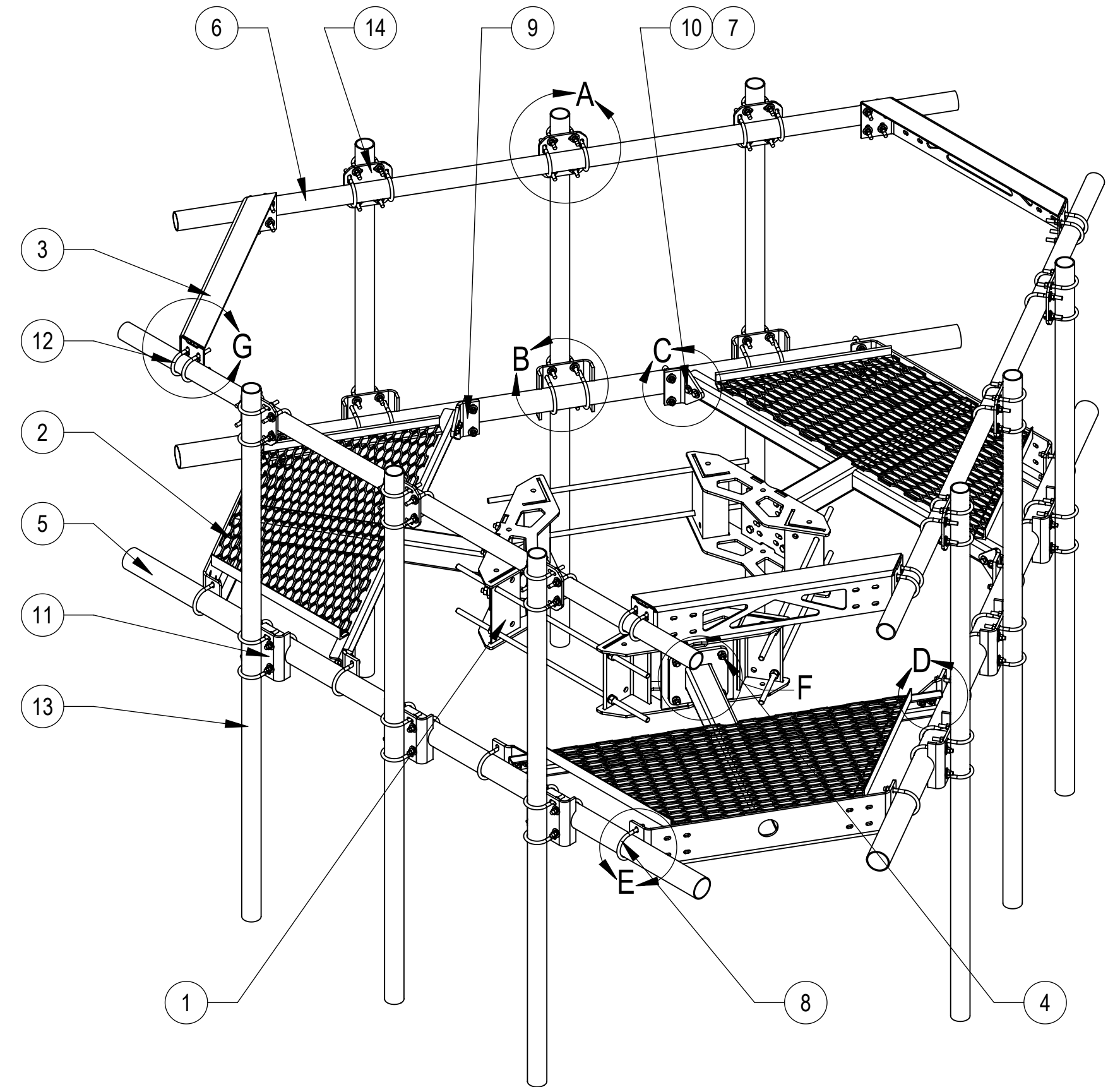
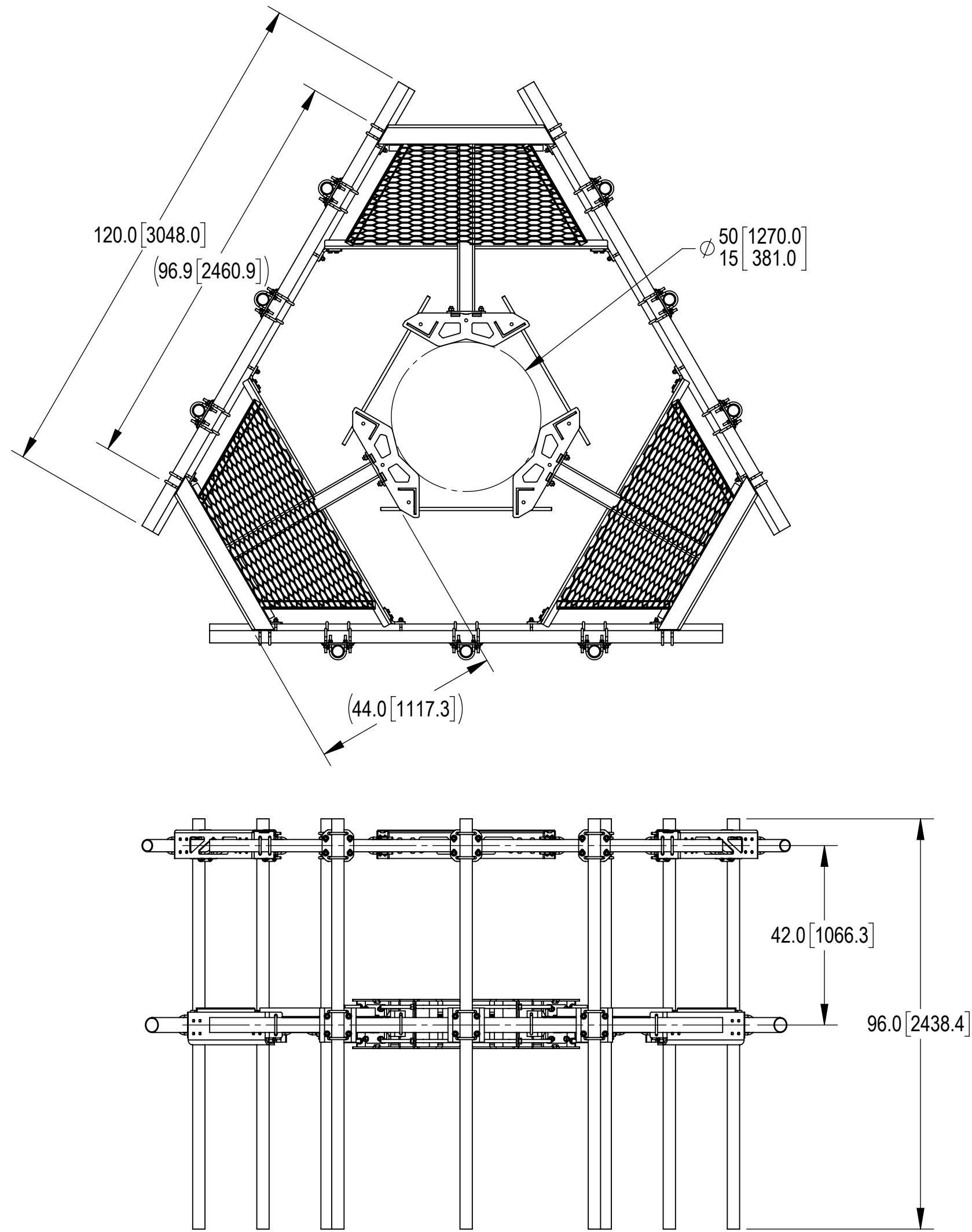


4

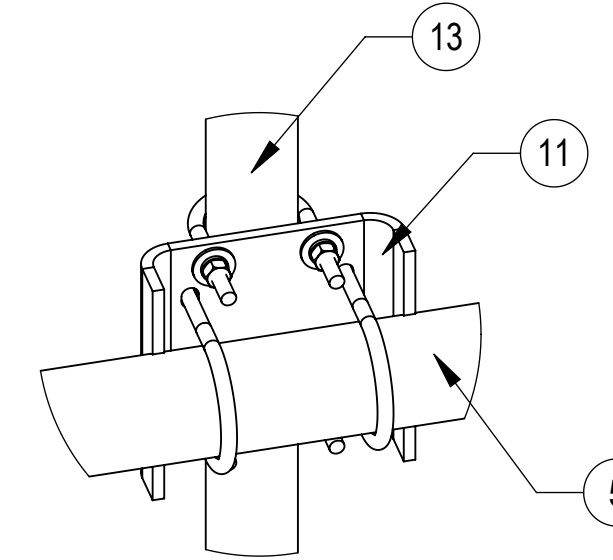
3

2

1



DETAIL A  
SCALE 1 : 6



DETAIL B  
SCALE 1 : 6

COMPONENT PART NUMBERS PROVIDED FOR ASSEMBLY PURPOSES;  
INDIVIDUAL COMPONENTS MAY BE SHIPPED AS PARTS WITHIN AN INCLUDED KIT.

ITEM	PART NO.	DESCRIPTION	QTY.	WEIGHT	NOTE NO.
1	MC-RM1550-3	15" - 50" OD RINGMOUNT	1	230.13 LBS	
2	MTC300602	SECTOR WELDMENT FOR SNUB NOSE PLATFORM	3	172.87 LBS	
3	MT195801	CORNER WELDMENT SNUB NOSE HANDRAIL	3	26.94 LBS	
4	GB-0522A	5/8" X 2-1/4" GALV BOLT KIT (A325)	12	0.31 LBS	
5	MT547120	$\phi 3.5$ " O.D. X 120" PIPE	3	58.46 LBS	
6	MT546120	2.875" O.D. X 120" PIPE	3	57.45 LBS	
7	GWF-04	1/2" GALV FLAT WASHER	24	0.04 LBS	
8	GUB-4355	1/2" X 3-5/8" X 5" GALV U-BOLT	12	0.71 LBS	
9	MTC300618	MT196 PIPE MOUNT PLATE	6	4.38 LBS	
10	GB-04205	1/2" X 2" GALV BOLT KIT	12	0.16 LBS	
11	MT-219M-H	3.5" OD X 2-7/8" OD CLAMP BRACKET ASSY	9	12.80 LBS	
12	GUB-4352	1/2" X 3" X 5-1/4" GALV U-BOLT	12	0.71 LBS	
13	MT54696	$\phi 2.875$ " O.D. X 96 SCH40 PIPE	9	45.96 LBS	
14	XP-2525	CROSSOVER PLATE KIT, 2-7/8 OD X 2-7/8 OD	9	7.77 LBS	

PATENT PENDING

COMMSCOPE, INC. OF NORTH CAROLINA				
TITLE LOW PROFILE PLATFORM 10FT FACE				
SIZE C	SCALE 1:32	DOCUMENT NO. MC-PK10-DSH		
DRAWING		VERSION	STATUS	REVISION
REVISION		00	RE	A
				SHEET 2 OF 4

4

3

2

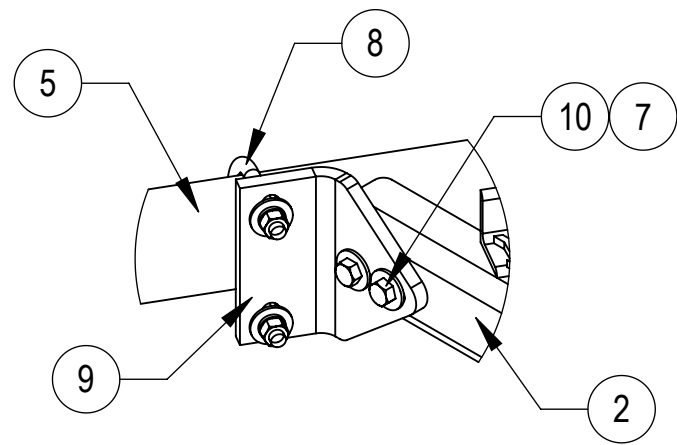
1

4

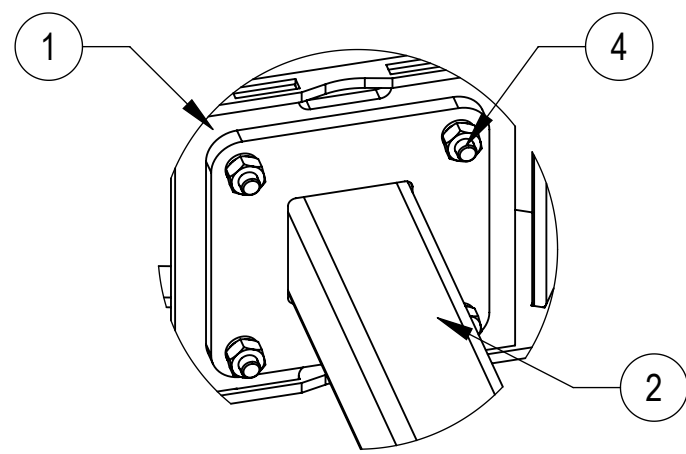
3

2

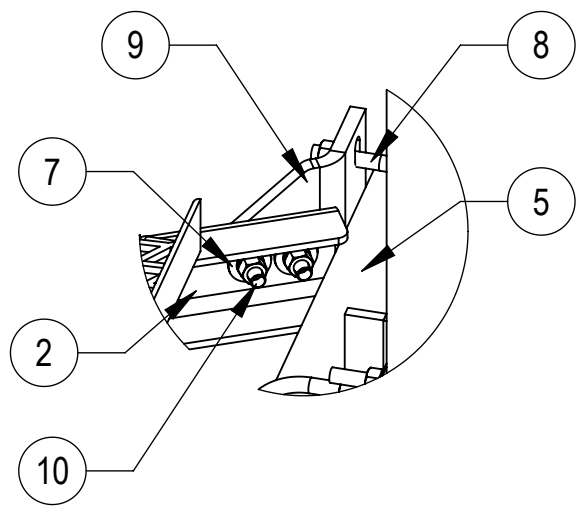
1



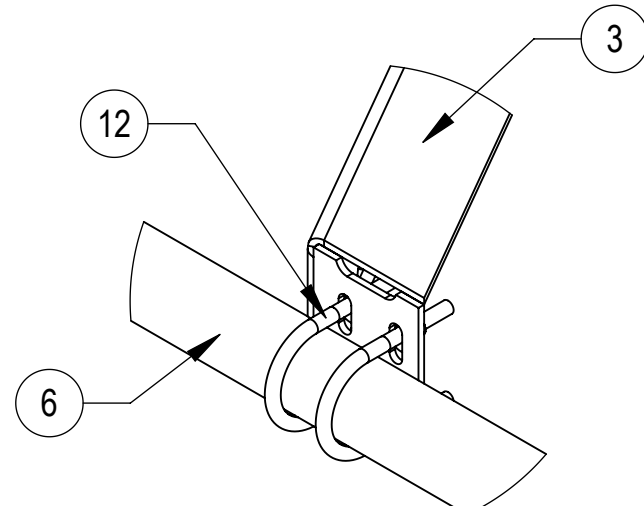
DETAIL C  
SCALE 1 : 6



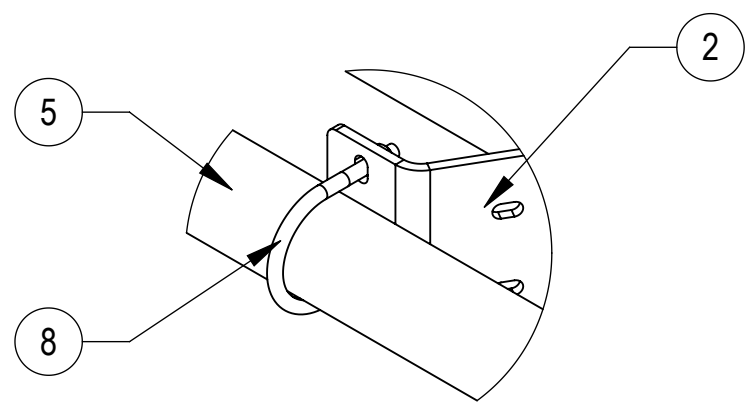
DETAIL F  
SCALE 1 : 6



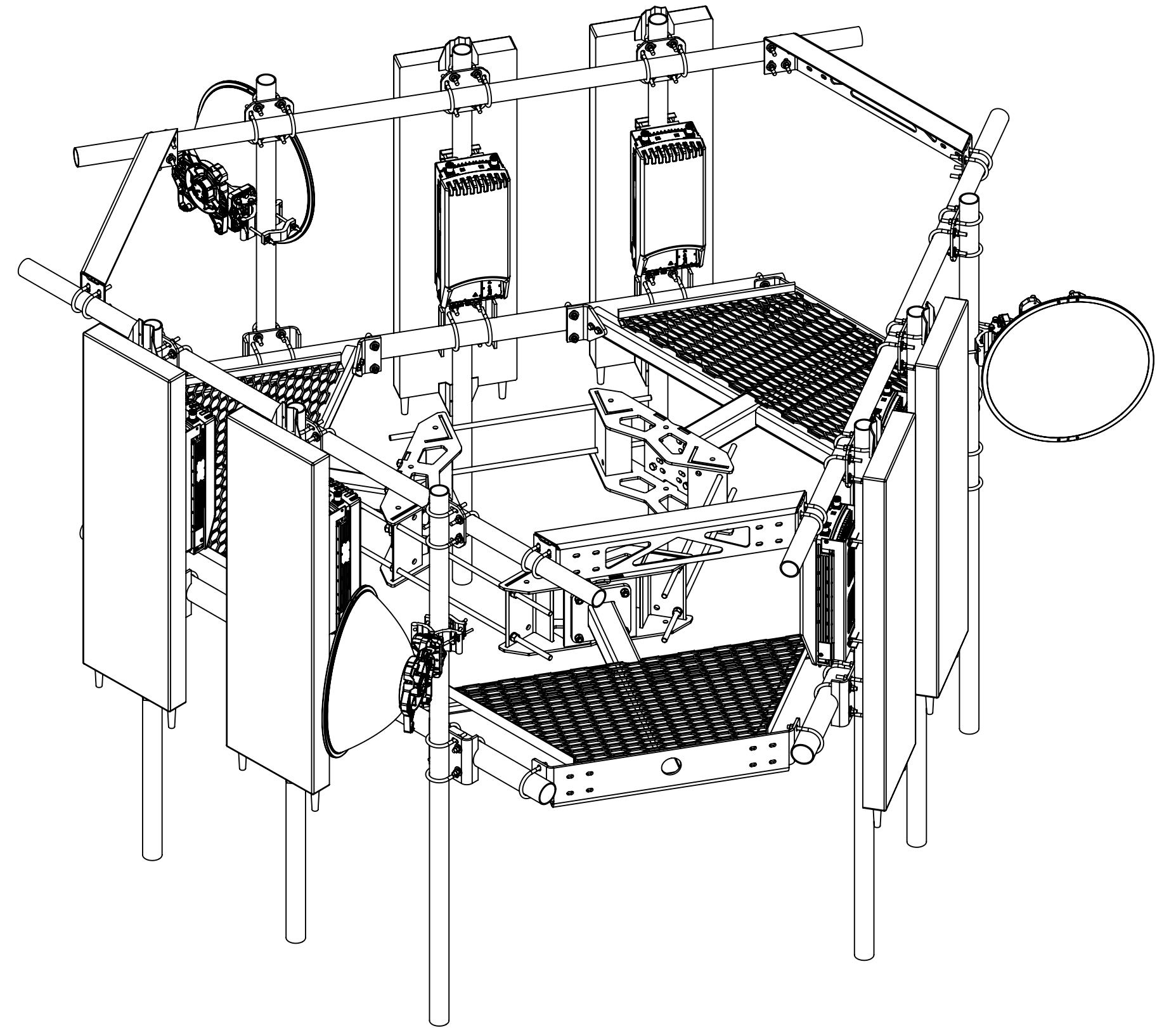
DETAIL D  
SCALE 1 : 6



DETAIL G  
SCALE 1 : 6



DETAIL E  
SCALE 1 : 6



WITH ANTENNAS

PATENT PENDING

COMMSCOPE, INC. OF NORTH CAROLINA

TITLE  
LOW PROFILE PLATFORM 10FT FACE

SIZE <b>C</b>	SCALE <b>1:32</b>	DOCUMENT NO. <b>MC-PK10-DSH</b>		
		DRAWING		SHEET 3 OF 4
		VERSION 00	STATUS RE	

4

3

2

1

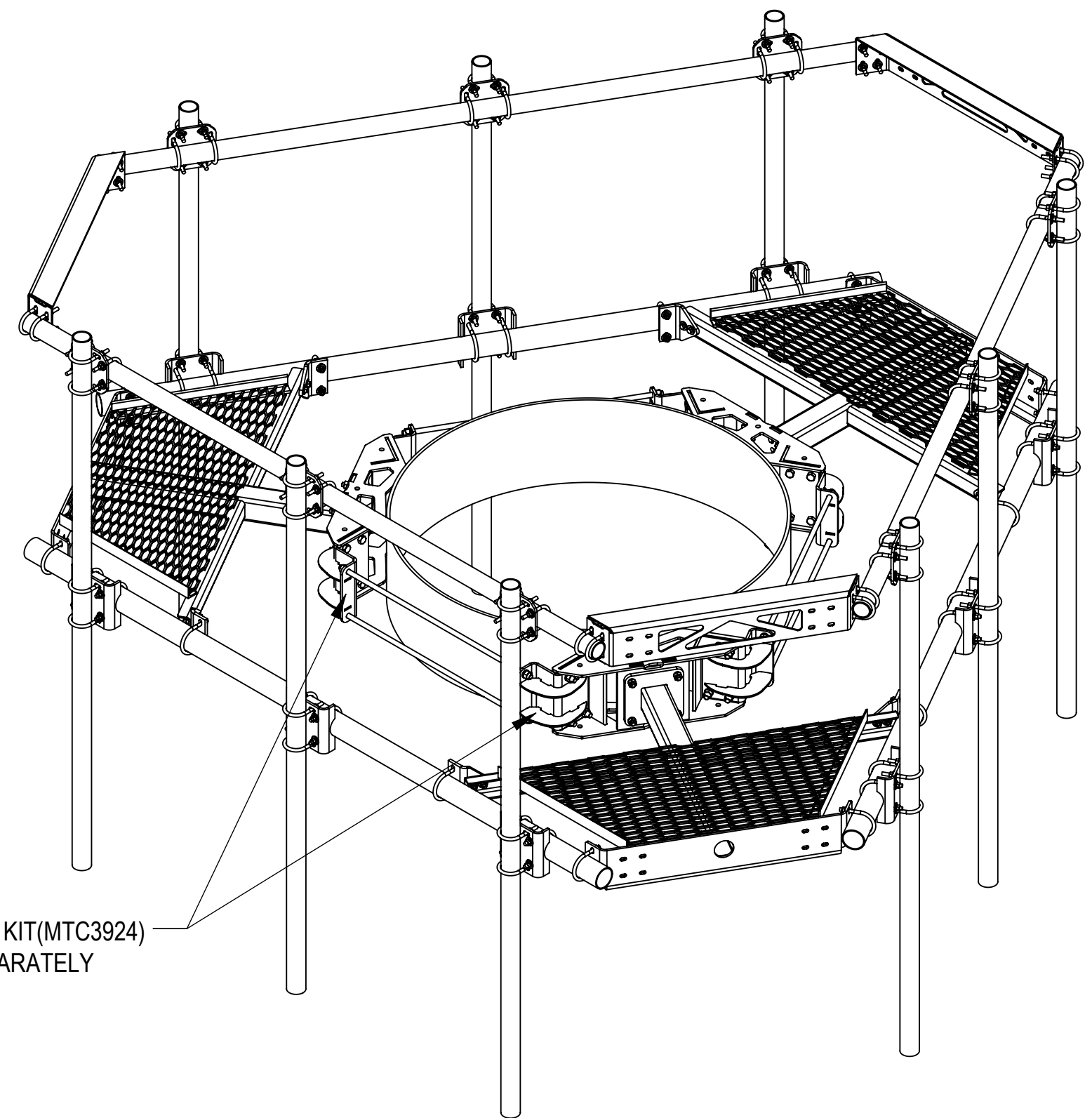
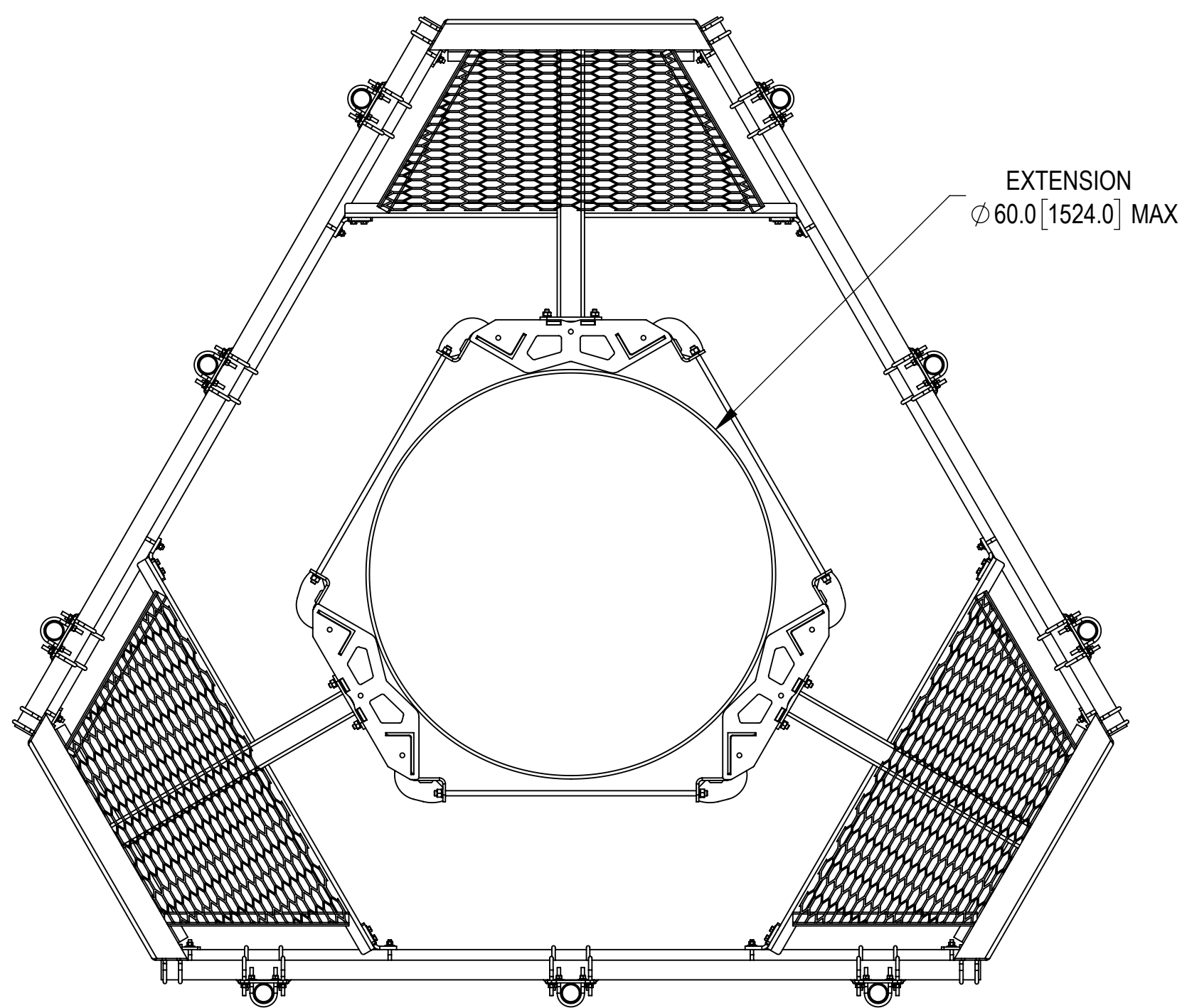
4

3

2

1

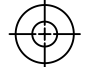
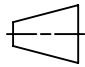
# EXTENSION VIEW



PATENT PENDING

COMMSCOPE, INC. OF NORTH CAROLINA

TITLE  
 LOW PROFILE PLATFORM 10FT FACE

SIZE <b>C</b>	SCALE <b>1:32</b>	DOCUMENT NO. <b>MC-PK10-DSH</b>			
 		DRAWING			SHEET 4 OF 4
		VERSION 00	STATUS RE	REVISION A	

© 2022 CommScope, Inc. Confidential

4

3

2

1

D

D

C

C

B

B

A

A