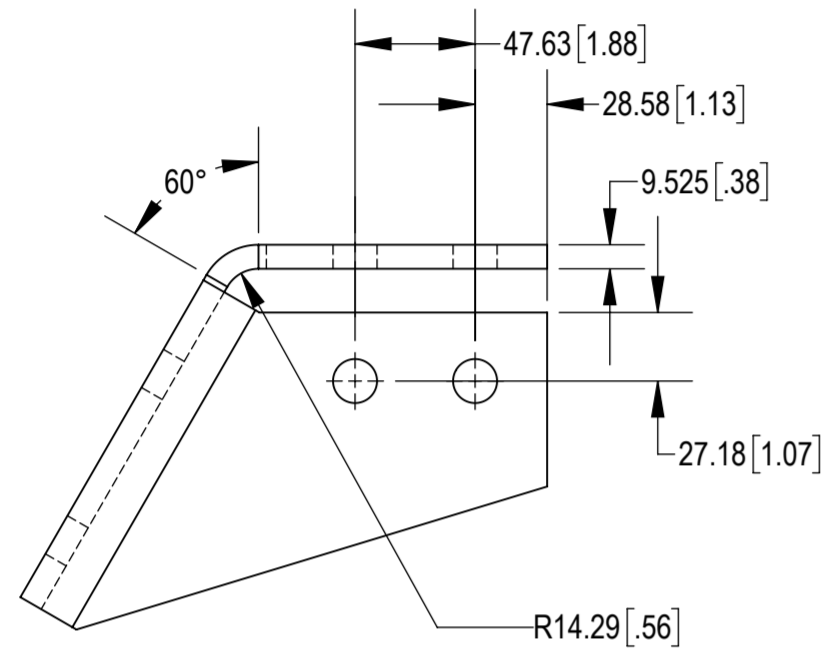
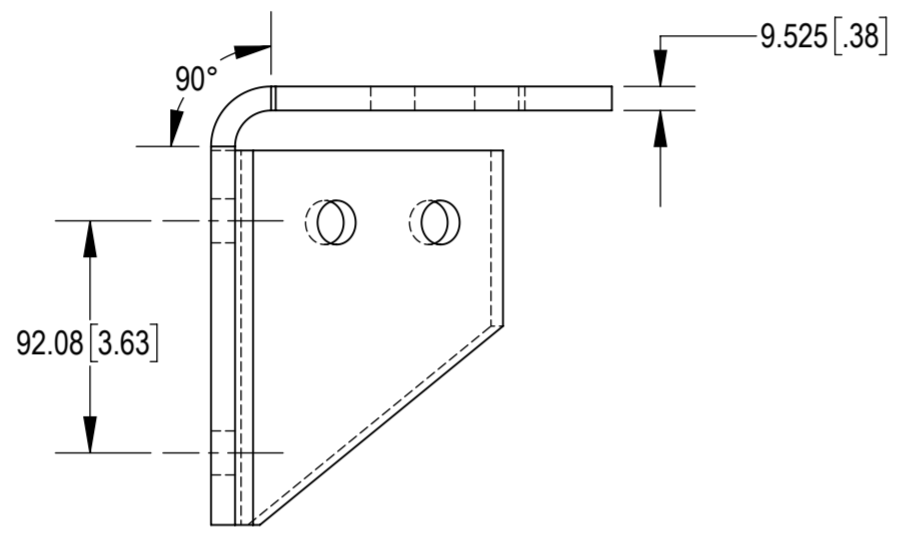


- 1.0 GENERAL NOTES  
 1.1 ALL IMPERIAL DIMENSIONS ARE IN BRACKETS [X.XX]  
 1.2 MARK PART WITH IDENTIFICATION NUMBER  
 2.0 DESIGN NOTES  
 3.0 MANUFACTURING/SPECIAL REQUIREMENTS  
 3.1 TIGHTEN ALL BOLTS SECURING FLAT PLATES BY THE TURN-OF-NUT METHOD. TIGHTEN ALL U-BOLTS USING TURN-OF-NUT METHOD WITH ATTENTION TO LEAVE EQUAL DISTANCE AND EQUAL FORCE ON EACH LEG OF THE U-BOLT.  
 4.0 TEST  
 5.0 PACKAGING  
 5.1 PACKAGING SHALL MEET COMMScope REQUIREMENTS PER DOCUMENT IS-PL-3005  
 5.2 PRINTED DOCUMENT TO BE PLACED INSIDE POLYBAG AND THEN IN SHIPPING CONTAINER  
 5.3 EXTRA HARDWARE MAYBE SUPPLIED, BAGGED AND SHIPPED

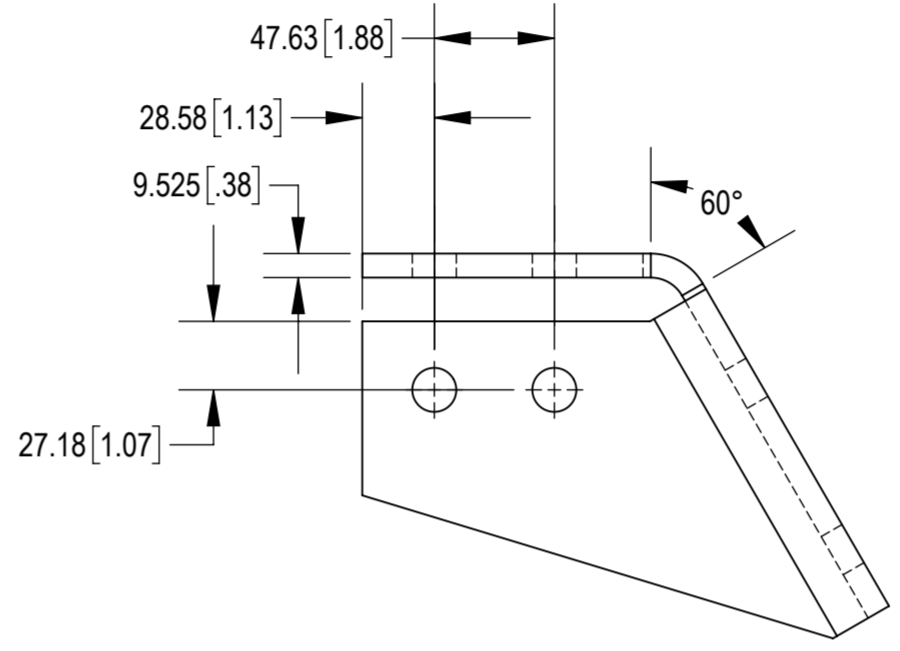
REVISIONS			
REV.	DESCRIPTION	DATE	APPROVED
A	INITIAL RELEASE	JL1183 16MAR23	JAHAINES 40168212CMO



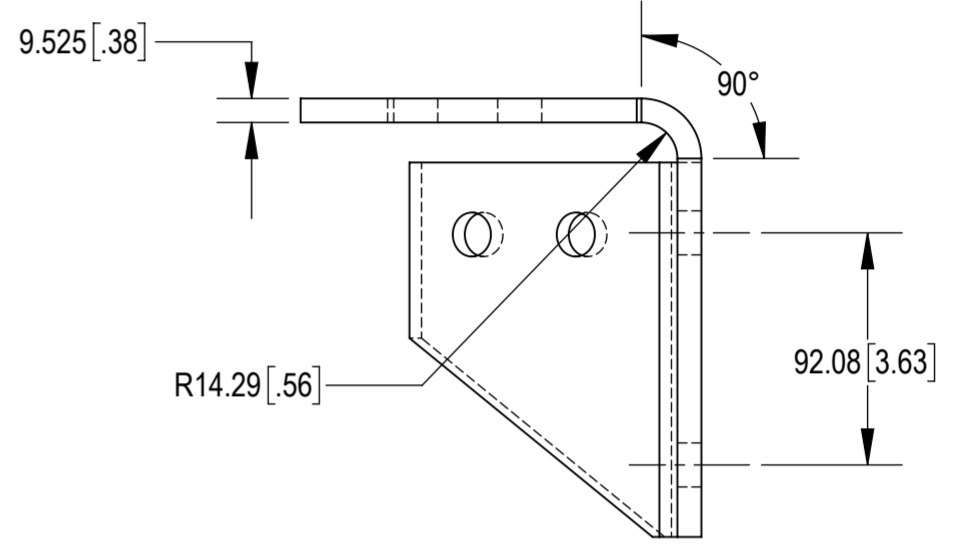
TOP VIEW



SIDE VIEW



TOP VIEW



SIDE VIEW

COMPONENT PART NUMBERS PROVIDED FOR ASSEMBLY PURPOSES;  
 INDIVIDUAL COMPONENTS MAY BE SHIPPED AS PARTS WITHIN AN INCLUDED KIT.

ITEM	PART NO.	DESCRIPTION	QTY.	NOTE
1	PLK2-F2L	CORNER BENT PLATE BRACKET, LH	1	
2	PLK2-F2R	CORNER BENT PLATE BRACKET, RH	1	
3	GUB-53050	5/8" X 3" X 5" GALV U-BOLT KIT	4	INCLUDES U-BOLT, FLAT WASHERS, LOCK WASHERS AND NUTS
4	GB-0520A	5/8" X 2" GALV BOLT KIT (A325)	8	INCLUDES BOLT, LOCK WASHER AND NUT
5	GWf-05	5/8" GALV FLAT WASHER, 1.7OD	8	

DENSITY	26.9	lbs/in <sup>3</sup>
MASS	26.9	lbs
VOLUME	94.96	in <sup>3</sup>
SURFACE AREA	705.17	in <sup>2</sup>
DENSITY	12228.34	g/mm <sup>3</sup>
MASS	12228.34	grams
VOLUME	1556235.80	mm <sup>3</sup>
SURFACE AREA	454951.35	mm <sup>2</sup>
HEIGHT	(174[6.9])	
LENGTH	(209[8.2])	
WIDTH	(159[6.3])	

**COMMScope, INC. OF NORTH CAROLINA**

TOLERANCES		SAP MATERIAL MASTER	
0 PLACE	X[.X] ± 6[0.25]	2 PLACE	.XX[.XXX] ± 1.50[0.06]
1 PLACE	.X[.XX] ± 3.0[0.12]	ANGLES	± 2°
FINISH		MATERIAL	
		<b>MUK-PLK3</b>	
UNLESS OTHERWISE SPECIFIED DIMENSIONS ARE IN MILLIMETERS INTERPRET PER ANSI Y 14.5M-1994	NAME	DATE	TITLE
	CE JL1183	16MAR23	<b>SUPPORT RAIL COERNER BRACKET</b>
	RW JL1183	03/21/2023	
	AD YW1045	03/23/2023	
	RE YMENG	03/24/2023	
ECN 40168212CMO			
SCALE	DOCUMENT NO.	<b>MUK-PLK3</b>	
1:3			
SIZE	Auth Group	INSL	MODEL
A2		VERSION	STATUS
		00	RE
DRAWING		REVISION	VERSION
		A	00
		STATUS	REVISION
		RE	A
			SHEET
			1 OF 1