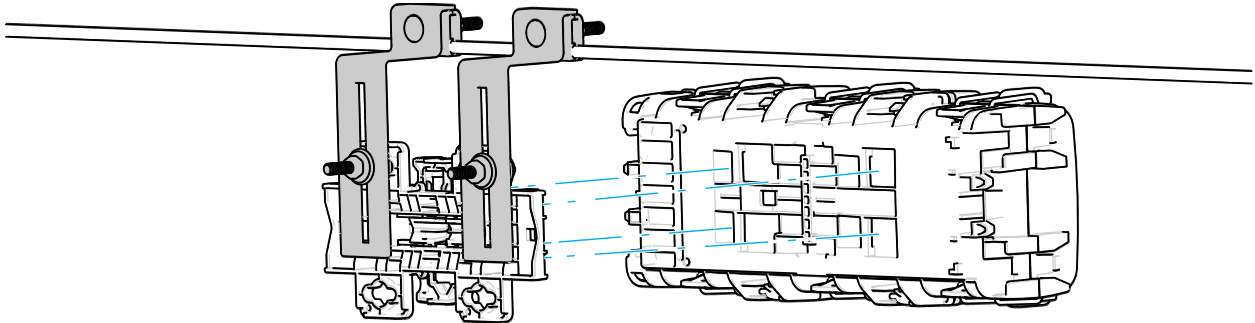


NOVUX™ Fiber Optic System NVX-SMB-CC-NN-NN

Applicable for CSC 40/100/150/200.

1 Product image



2 Kit content

N°	Description	Qty	N°	Description	Qty
1	Hanger bar	2	6	Cable clamp	4
2	Bolt, round head	2	7	Washer	2
3	Washer 5/16	4	8	Tooth washer	2
4	Spring washer	4	9	Large washer	2
5	Nut	6	10	Bolt, Hex head	2

3 Product installation

