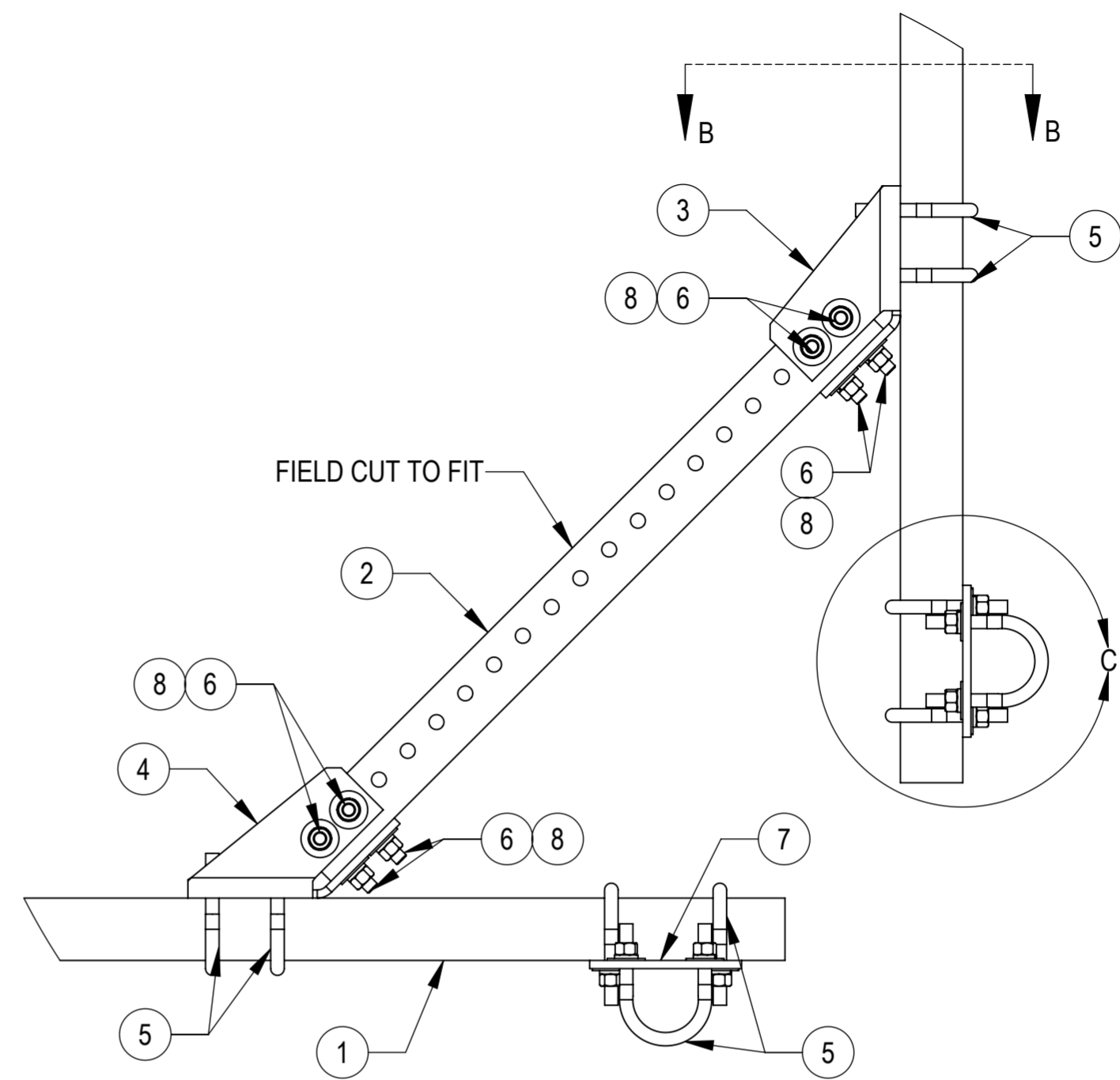
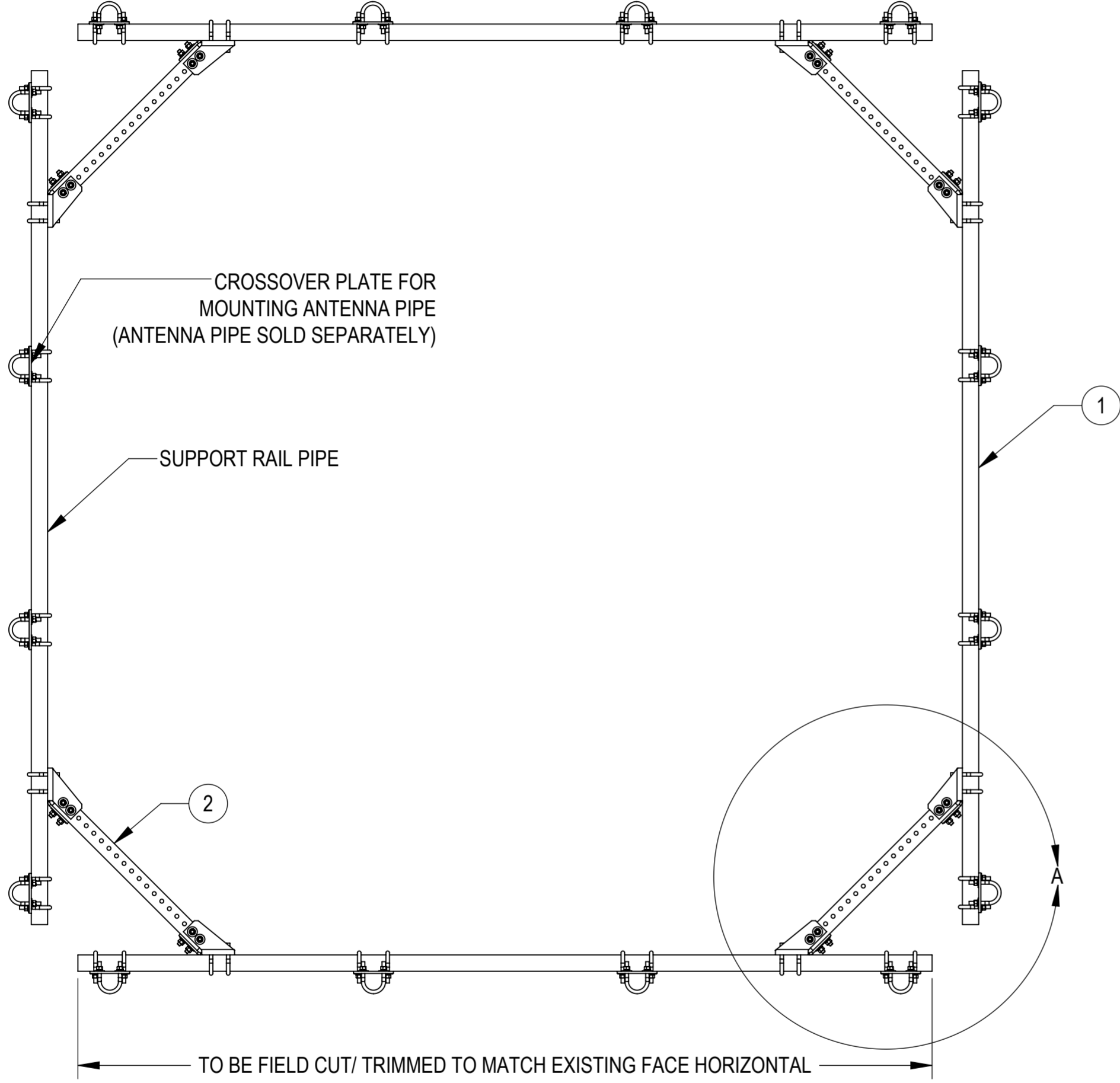
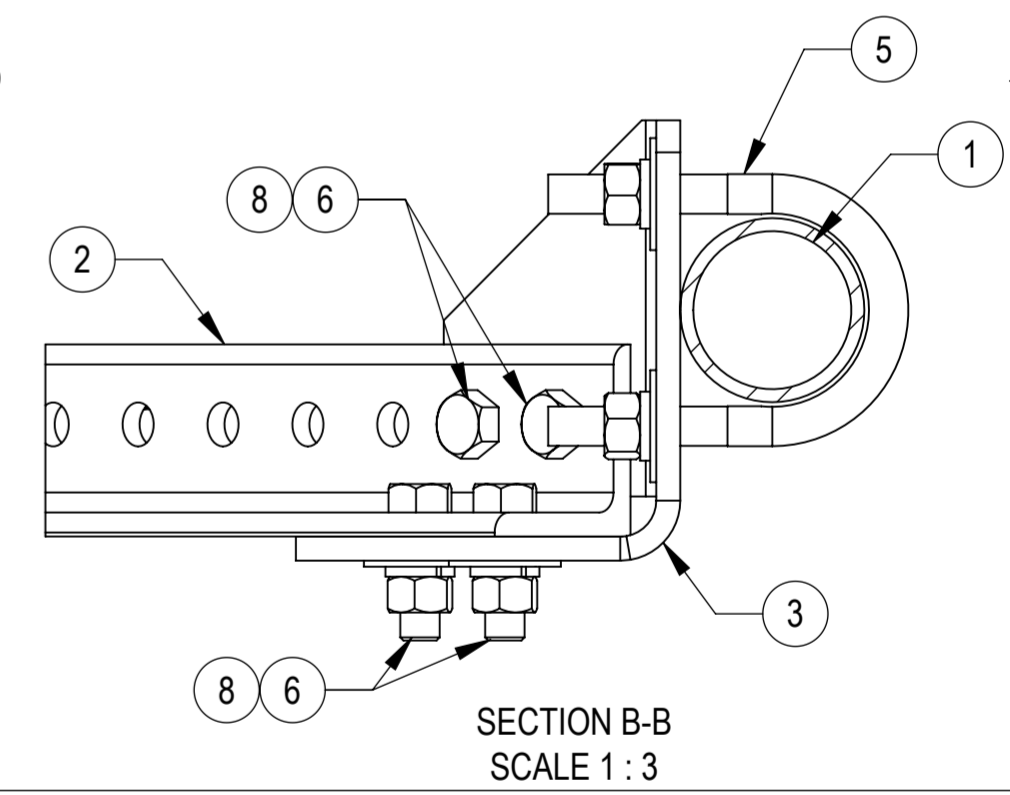
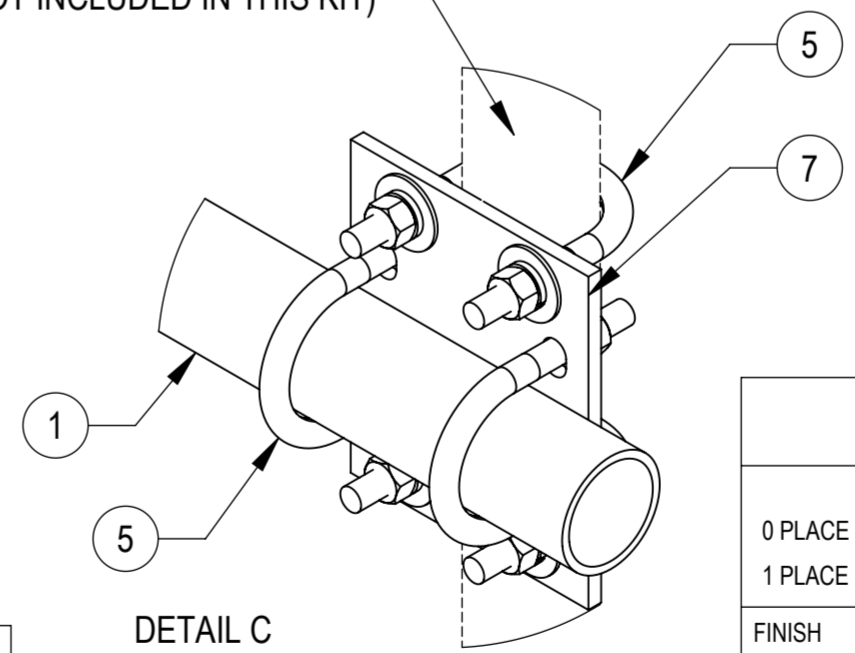


- 1.0 GENERAL NOTES  
 1.1 ALL IMPERIAL DIMENSIONS ARE IN BRACKETS [X.XX]  
 1.2 MARK PART WITH IDENTIFICATION NUMBER  
 2.0 DESIGN NOTES  
 2.1 DESIGNED PER CUSTOMER REQUIREMENTS  
 3.0 MANUFACTURING/SPECIAL REQUIREMENTS  
 3.1 TIGHTEN ALL BOLTS SECURING FLAT PLATES BY THE TURN-OF-NUT METHOD. TIGHTEN ALL U-BOLTS USING TURN-OF-NUT METHOD WITH ATTENTION TO LEAVE EQUAL DISTANCE AND EQUAL FORCE ON EACH LEG OF THE U-BOLT.  
 4.0 TEST  
 5.0 PACKAGING  
 5.1 PACKAGING SHALL MEET COMMScope REQUIREMENTS PER DOCUMENT IS-PL-3005  
 5.2 PRINTED DOCUMENT TO BE PLACED INSIDE POLYBAG AND THEN IN SHIPPING CONTAINER  
 5.3 EXTRA HARDWARE MAYBE SUPPLIED, BAGGED AND SHIPPED

REVISIONS			
REV.	DESCRIPTION	DATE	APPROVED
A	INITIAL RELEASE	JL1183 01SEP22	VICENTE 40155958CMO



FIT  $\phi 60.3[2.375]$  O.D. AND  $\phi 73.0[2.875]$  O.D.  
 ANTENNA MOUNT PIPE  
 (NOT INCLUDED IN THIS KIT)



COMPONENT PART NUMBERS PROVIDED FOR ASSEMBLY PURPOSES;  
 INDIVIDUAL COMPONENTS MAY BE SHIPPED AS PARTS WITHIN AN INCLUDED KIT.

ITEM NO.	PART NO.	DESCRIPTION	QTY.	NOTE NO.
1	MT-546-150	PIPE, 2.875"OD X 150"	4	
2	PLK2-F1-30	ANGLE, BRACE; 36.0 LG	4	
3	CBP4-L	CORNER BENT PLATE BRACKET, LH	4	
4	CBP4-R	CORNER BENT PLATE BRACKET, RH	4	
5	GUB-53050	5/8" X 3" X 5" GALV U-BOLT KIT	80	INCLUDES U-BOLT, FLAT WASHERS, LOCK WASHERS AND NUTS
6	GB-0520A	5/8" X 2" GALV BOLT KIT (A325)	32	INCLUDED BOLT, LOCK WASHER AND NUT
7	MTC4104-0030	PLATE, CROSSOVER; 2.375 TO 2.875 OD PIPE	16	
8	GWF-05	5/8" GALV FLAT WASHER, 1.7OD	32	

**COMMScope, INC. OF NORTH CAROLINA**

TOLERANCES		SAP MATERIAL MASTER	
0 PLACE X[.X] ± 6[0.25]	2 PLACE .XX[.XXX] ± 1.50[0.06]	<b>VZWSMART-PLK1Q</b>	
1 PLACE .X[.XX] ± 3.0[0.12]	ANGLES ± 2°		
FINISH GALV A123		MATERIAL	
<small>UNLESS OTHERWISE SPECIFIED          DIMENSIONS ARE IN MILLIMETERS          INTERPRET PER ANSI Y 14.5M-1994</small>		NAME	DATE
		CE JL1183	01SEP22
		RW JL1183	09/08/2022
		AD VCORTEZ1	09/14/2022
ECN 40155958CMO		RE	09/15/2022
SCALE <b>1:10</b>		DOCUMENT NO. <b>VZWSMART-PLK1Q</b>	
		SIZE <b>A2</b>	MODEL Auth Group INSL
DENSITY 0.29 lbs/in <sup>3</sup>		DRAWING	
MASS 661.65 lbs		VERSION	STATUS
VOLUME 2333.13 in <sup>3</sup>		REVISION	REVISION
SURFACE AREA 19666.7 in <sup>2</sup>		00	A
DENSITY 0.0079 g/mm <sup>3</sup>		00	RE
MASS 300750.9051 grams		00	RE
VOLUME 38235526.8668 mm <sup>3</sup>		00	RE
SURFACE AREA 12688162.2083 mm <sup>2</sup>		00	RE
HEIGHT 4226[166.4]		00	RE
LENGTH 4226[166.4]		00	RE
WIDTH 216[8.5]		00	RE

SHEET  
1 OF 1