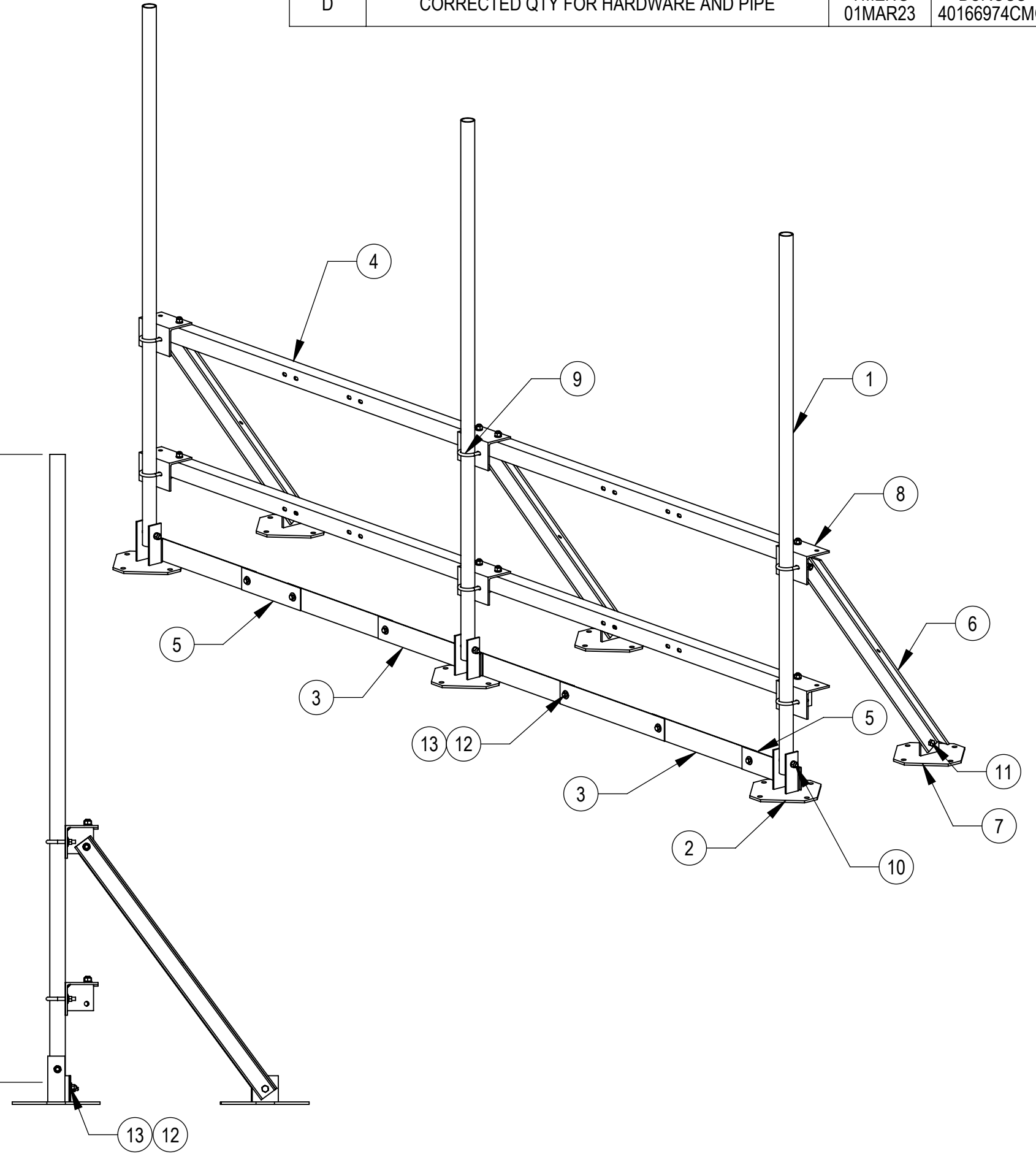
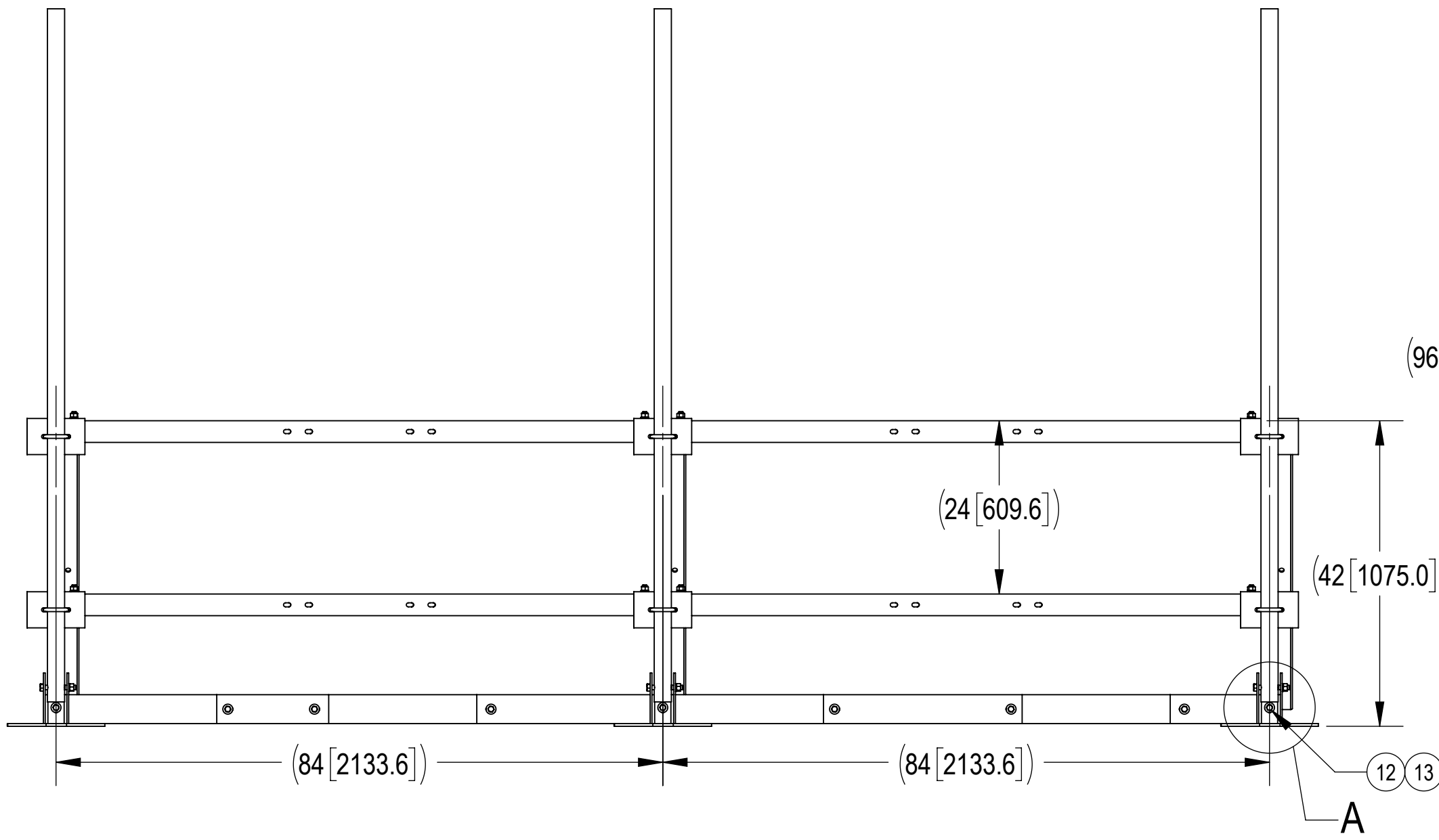


- 1.0 GENERAL NOTES
 - 1.1 ALL METRIC DIMENSIONS ARE IN BRACKETS [X.X]
 - 1.2 FOR PATENT INFO: <https://www.cs-pat.com>
- 2.0 DESIGN NOTES
- 3.0 MANUFACTURING/SPECIAL REQUIREMENTS
 - 3.1 TIGHTEN ALL BOLTS SECURING FLAT PLATES BY THE TURN-OF-NUT METHOD. TIGHTEN ALL U-BOLTS USING TURN-OF-NUT METHOD WITH ATTENTION TO LEAVE EQUAL DISTANCE AND EQUAL FORCE ON EACH LEG OF THE U-BOLT.
- 4.0 TEST
- 5.0 PACKAGING
 - 5.1 PACKAGING SHALL MEET COMMSCOPE REQUIREMENTS PER DOCUMENT IS-PL-3005
 - 5.2 PRINTED DOCUMENT TO BE PLACED INSIDE POLYBAG AND THEN IN SHIPPING CONTAINER
 - 5.3 EXTRA HARDWARE MAYBE SUPPLIED, BAGGED AND SHIPPED

REVISIONS			
REV.	DESCRIPTION	DATE	APPROVED
C	NEW DESIGN	AW 01APR05	
D	CORRECTED QTY FOR HARDWARE AND PIPE	YMENG 01MAR23	BCROSS 40166974CMO



COMPONENT PART NUMBERS PROVIDED FOR ASSEMBLY PURPOSES;
INDIVIDUAL COMPONENTS MAY BE SHIPPED AS PARTS WITHIN AN INCLUDED KIT.

ITEM	PART NO.	DESCRIPTION	QTY.	WEIGHT	NOTE NO.
1	WTRTA32	96" VERTICAL PIPE	3	36.93 LBS	
2	WTRTA19	WELDED FOOT	3	16.49 LBS	
3	WTRTA27	LONG TOE BOARD SECTION	6	3.79 LBS	
4	WTRTA30	ANGLE, 7'	4	32.76 LBS	
5	WTRTA31	SHORT TOE BOARD SECTION	2	2.16 LBS	
6	WTRTA25	KICKER ANGLE	3	19.18 LBS	
7	WTRTA20	REAR FOOT	3	14.56 LBS	
8	WTRTA21	WELDED BRACKET	6	8.34 LBS	
9	GUB-4240	1/2" X 2-1/2" X 4" GALV U-BOLT KIT	6	0.56 LBS	
10	GB-05445	5/8" X 4-1/2" GALV BOLT KIT	3	0.48 LBS	
11	GB-05145	5/8" X 1-1/2" GALV BOLT KIT	14	0.22 LBS	
12	GB-04145	1/2" X 1-1/2" GALV BOLT KIT	9	0.13 LBS	
13	GWFF-04	1/2" GALV FLAT WASHER	18	0.04 LBS	

WT-SMA14-3-96 VIEW

DENSITY	99"	lbs/in ³
MASS	152"	lbs
VOLUME	46"	in ³
SURFACE AREA		in ²

COMMSCOPE, INC. OF NORTH CAROLINA

TOLERANCES
 1 PLACE .X[X] ± .06[1.5] 3 PLACE .XXX[X] ± .010[0.25]
 2 PLACE .XX[X] ± .03[0.76] ANGLES ± 2°

SAP MATERIAL MASTER

FINISH: _____ MATERIAL: _____

UNLESS OTHERWISE SPECIFIED DIMENSIONS ARE IN INCHES INTERPRET PER ANSI Y 14.5M-1994	NAME	DATE	TITLE
	CE AW	31MAR05	14' WATER TOWER ROOF TOP SECTOR FRAME
	RW YMENG	03/03/2023	
	AD BCROSS	03/06/2023	
RE LMCADOWEL	03/07/2023		
ECN 40166974CMO			SCALE: 1:32 DOCUMENT NO. WT-SMA14 SERIES

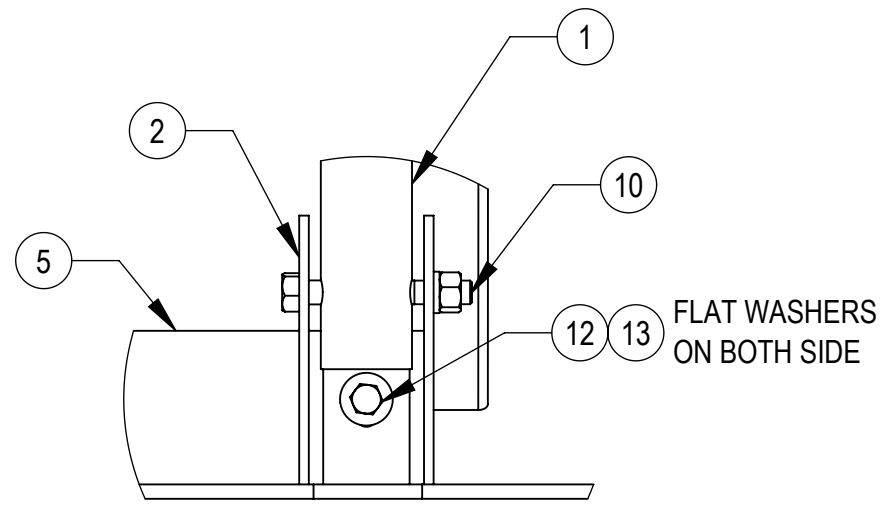
SIZE	Auth Group	INSL	MODEL			DRAWING			SHEET
C			VERSION	STATUS	REVISION	VERSION	STATUS	REVISION	1 OF 2
			01	RE	D	01	RE	D	

4

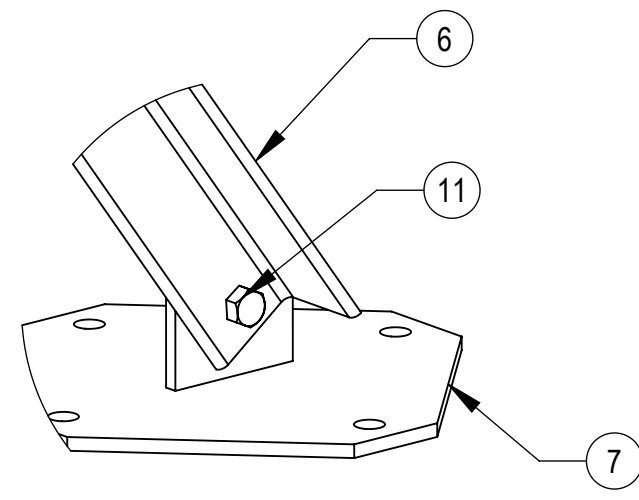
3

2

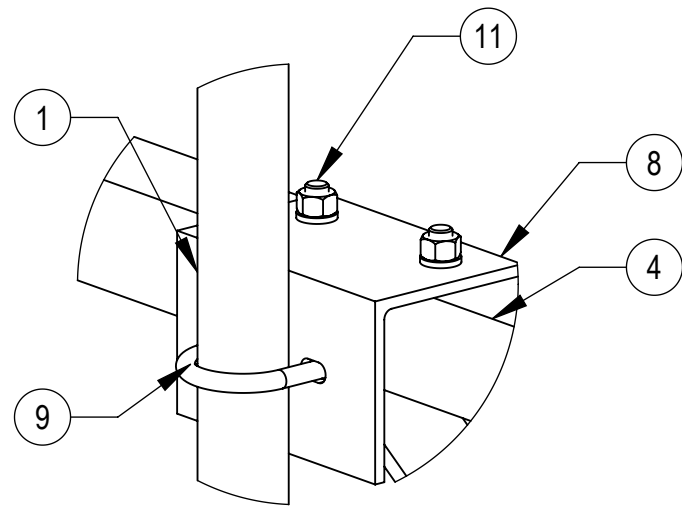
1



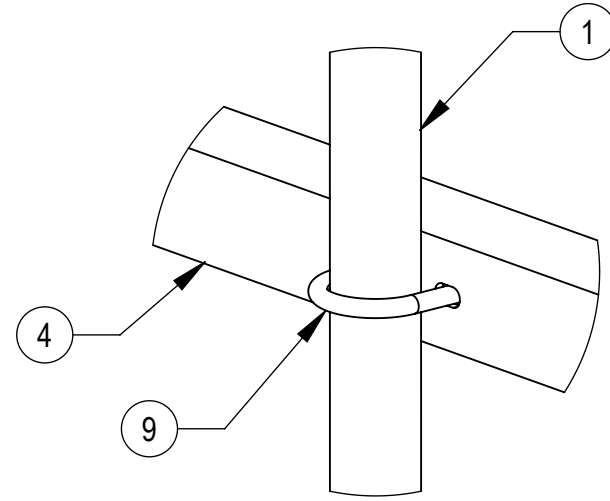
DETAIL A
SCALE 1 : 5



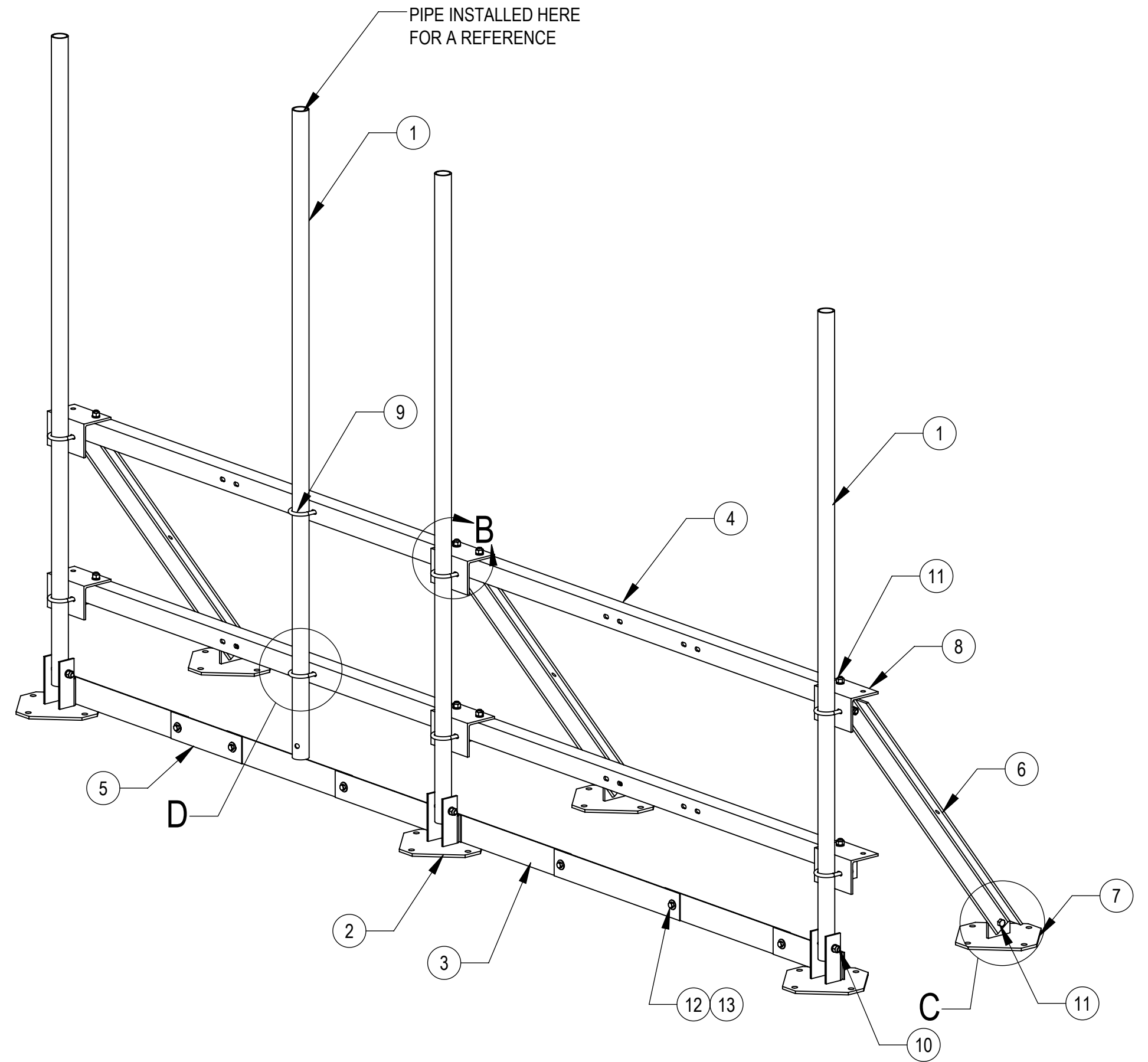
DETAIL C
SCALE 1 : 5



DETAIL B
SCALE 1 : 5



DETAIL D
SCALE 1 : 5



COMPONENT PART NUMBERS PROVIDED FOR ASSEMBLY PURPOSES;
INDIVIDUAL COMPONENTS MAY BE SHIPPED AS PARTS WITHIN AN INCLUDED KIT.

ITEM	PART NO.	DESCRIPTION	QTY.	WEIGHT	NOTE NO.
1	WTRTA32	96" VERTICAL PIPE	4	36.93 LBS	
2	WTRTA19	WELDED FOOT	3	16.49 LBS	
3	WTRTA27	LONG TOE BOARD SECTION	6	3.79 LBS	
4	WTRTA30	ANGLE, 7"	4	32.76 LBS	
5	WTRTA31	SHORT TOE BOARD SECTION	2	2.16 LBS	
6	WTRTA25	KICKER ANGLE	3	19.18 LBS	
7	WTRTA20	REAR FOOT	3	14.56 LBS	
8	WTRTA21	WELDED BRACKET	6	8.34 LBS	
9	GUB-4240	1/2" X 2-1/2" X 4" GALV U-BOLT KIT	8	0.56 LBS	
10	GB-05445	5/8" X 4-1/2" GALV BOLT KIT	3	0.48 LBS	
11	GB-05145	5/8" X 1-1/2" GALV BOLT KIT	14	0.22 LBS	
12	GB-04145	1/2" X 1-1/2" GALV BOLT KIT	9	0.13 LBS	
13	GWF-04	1/2" GALV FLAT WASHER	18	0.04 LBS	

WT-SMA14-4-96 VIEW

COMMSCOPE, INC. OF NORTH CAROLINA				
TITLE 14' WATER TOWER ROOF TOP SECTOR FRAME				
SIZE C	SCALE 1:32	DOCUMENT NO. WT-SMA14 SERIES		
DRAWING		VERSION	STATUS	REVISION
		01	RE	D
				SHEET 2 OF 2