

4

3

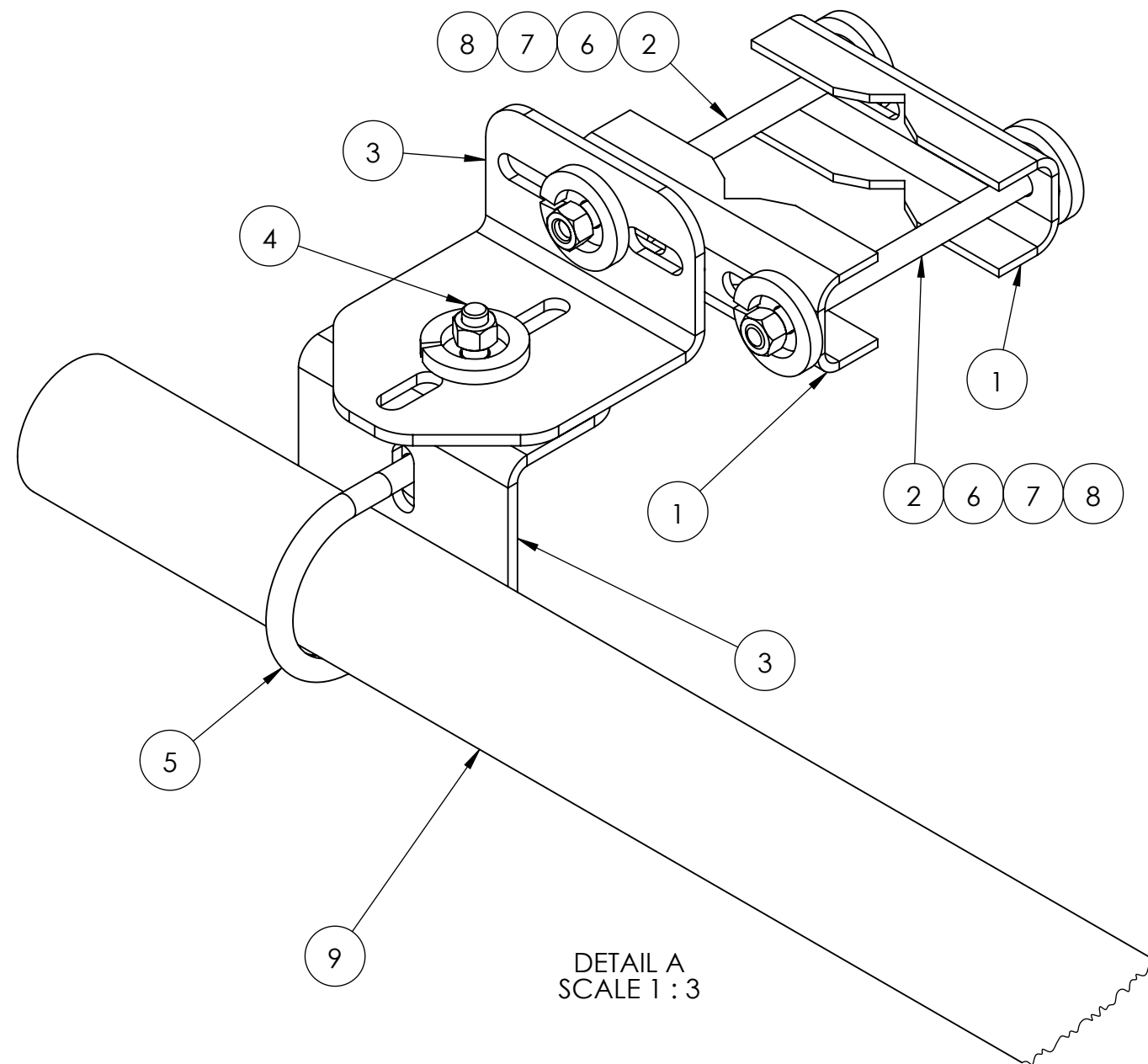
2

1

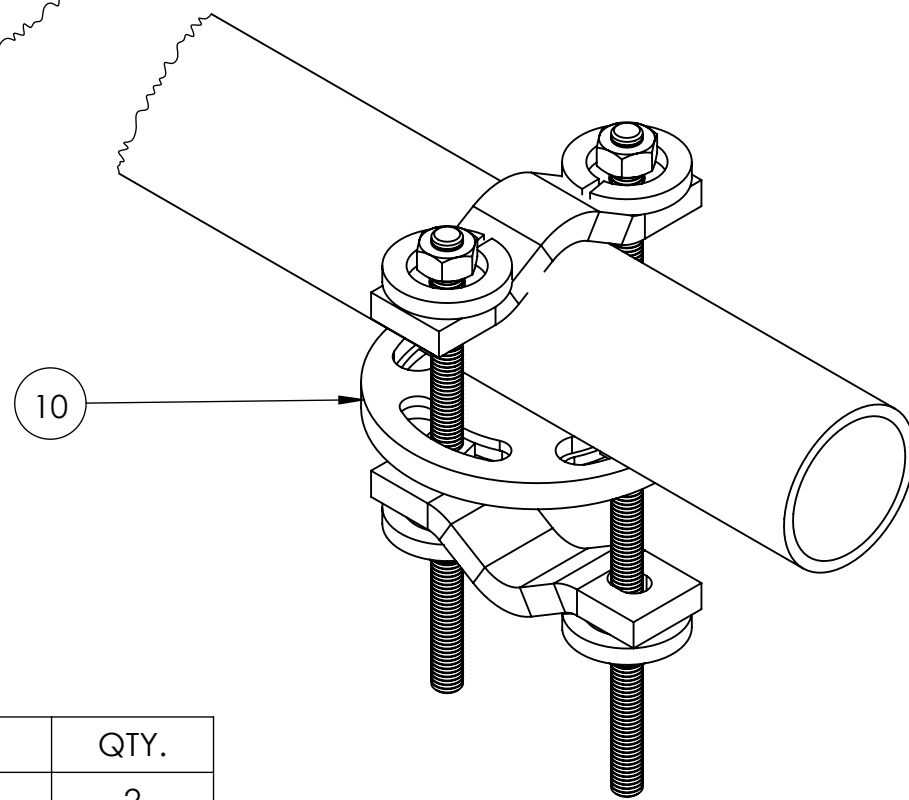
NOTES:

- 1.0 GENERAL
 - 1.1 ALL METRIC DIMENSIONS ARE IN BRACKETS
 - 1.2 FOR PATENTS, SEE WWW.CS-PAT.COM
- 2.0 DESIGN NOTES
- 3.0 MANUFACTURING/SPECIAL REQUIREMENTS
- 4.0 TEST
- 5.0 PACKAGING

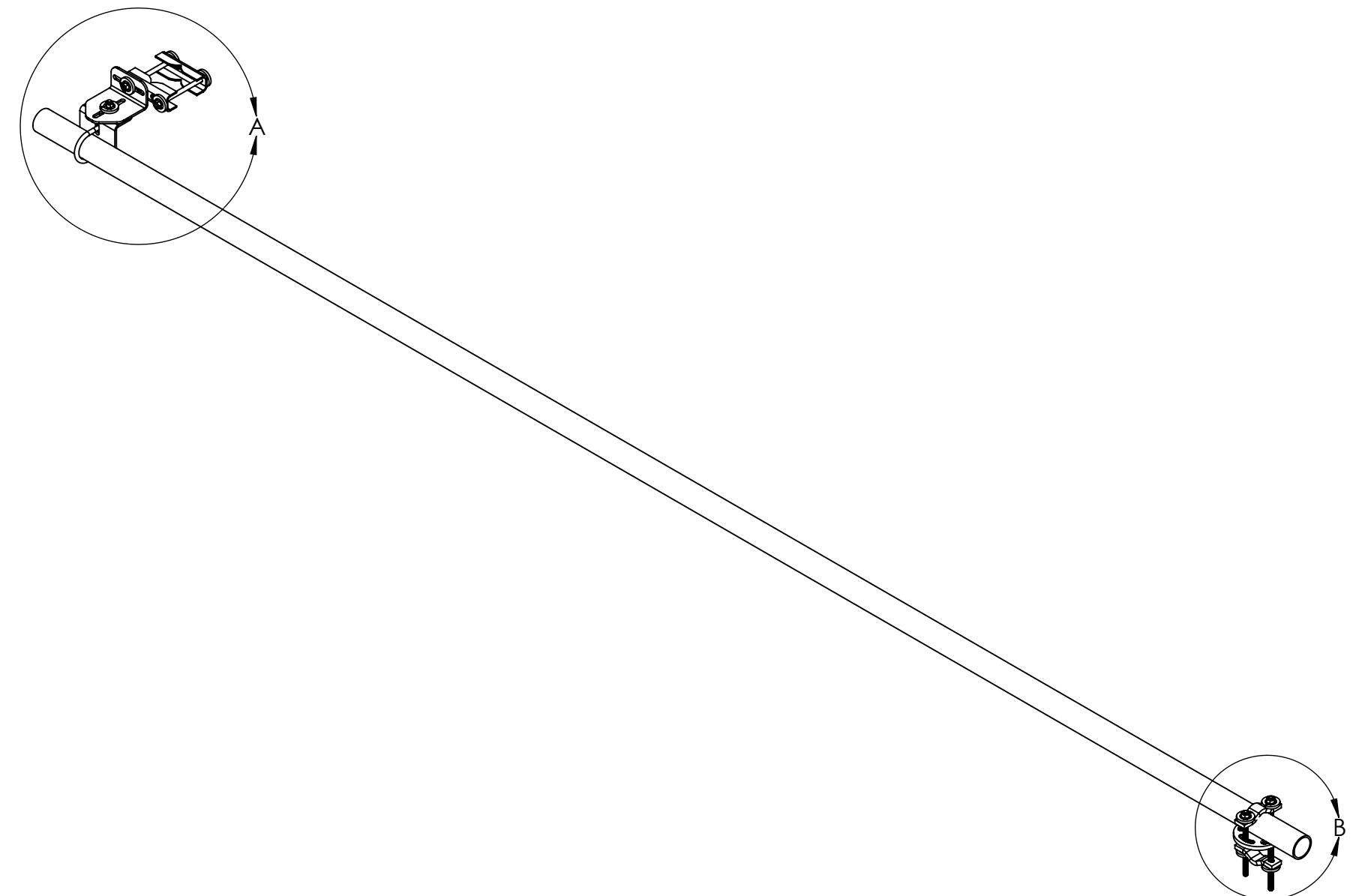
REVISIONS				
REV.	ECN	DESCRIPTION	BY	DATE
A	8000043851	INITIAL RELEASE	ES1081	11/17/20



DETAIL A
SCALE 1 : 3



DETAIL B
SCALE 1 : 3



NOTE ADDITIONAL HARDWARE

PIPE AND XP-R OMITTED FROM VIEW FOR CLARITY

ITEM NO.	PART NUMBER	DESCRIPTION	QTY.
1	SAB01	FORMED CLAMP	2
2	MT-379-8	1/2" X 8" GALV THREADED ROD	2
3	XAU01	ANGLE, CROSSOVER, 1.9-3.5" X 1.9-3.5" OD	2
4	GB-04145	1/2" X 1-1/2" GALV BOLT KIT	1
5	GUB-4352	1/2" X 3" X 5-1/4" GALV U-BOLT	1
6	GW-04	1/2" GALV FLAT WASHER	4
7	Regular LW 1.25		5
8	HNUT 0.5000-13-D-N		5
9	MT-546-198	2.875" O.D. X 198" PIPE	1
10	XP-R	CROSSOVER PLATE, ROUND, UP TO 3.5" OD	1

COMMSCOPE, INC. OF NORTH CAROLINA									
TOLERANCES					SAP MATERIAL MASTER				
1 PLACE .X ± .25		3 PLACE .XXX ± 0.06			MTC4078HD				
2 PLACE .XX ± 0.12		ANGLES ± 2°			MATERIAL SEE BOM TABLE				
FINISH GALV A123					TITLE STIFF ARM, XP-R, 2-7/8 OD, SCH 40, X 198				
UNLESS OTHERWISE SPECIFIED DIMENSIONS ARE IN INCHES INTERPRET PER ANSI Y 14.5M-1994	CE	NAME	DATE	SCALE					
	RW	ES1081	11/30/2020	1:24					
	AD	BCROSS	12/14/2020	DOCUMENT NO.					
	RE	BCROSS	12/14/2020	MTC4078HD					
ECN 008000043851		SIZE	WORK AREA 24	MODEL			DRAWING		
DENSITY	111.10	HEIGHT		VERSION	STATUS	REVISION	VERSION	STATUS	REVISION
MASS	lbs	LENGTH		00	RE	A	01	RE	A
VOLUME	in³	WIDTH		SHEET			1 OF 2		
SURFACE AREA	in²								

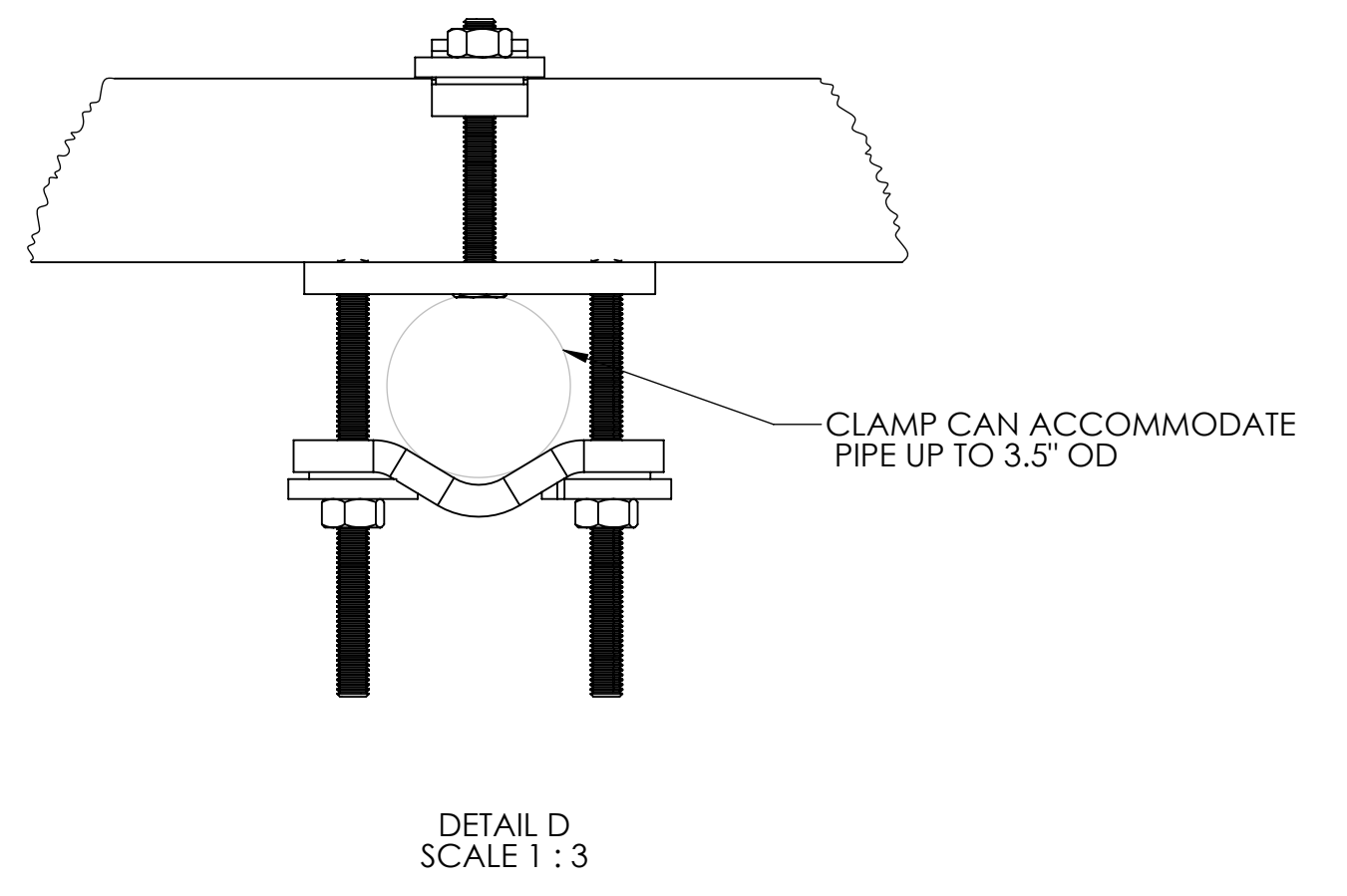
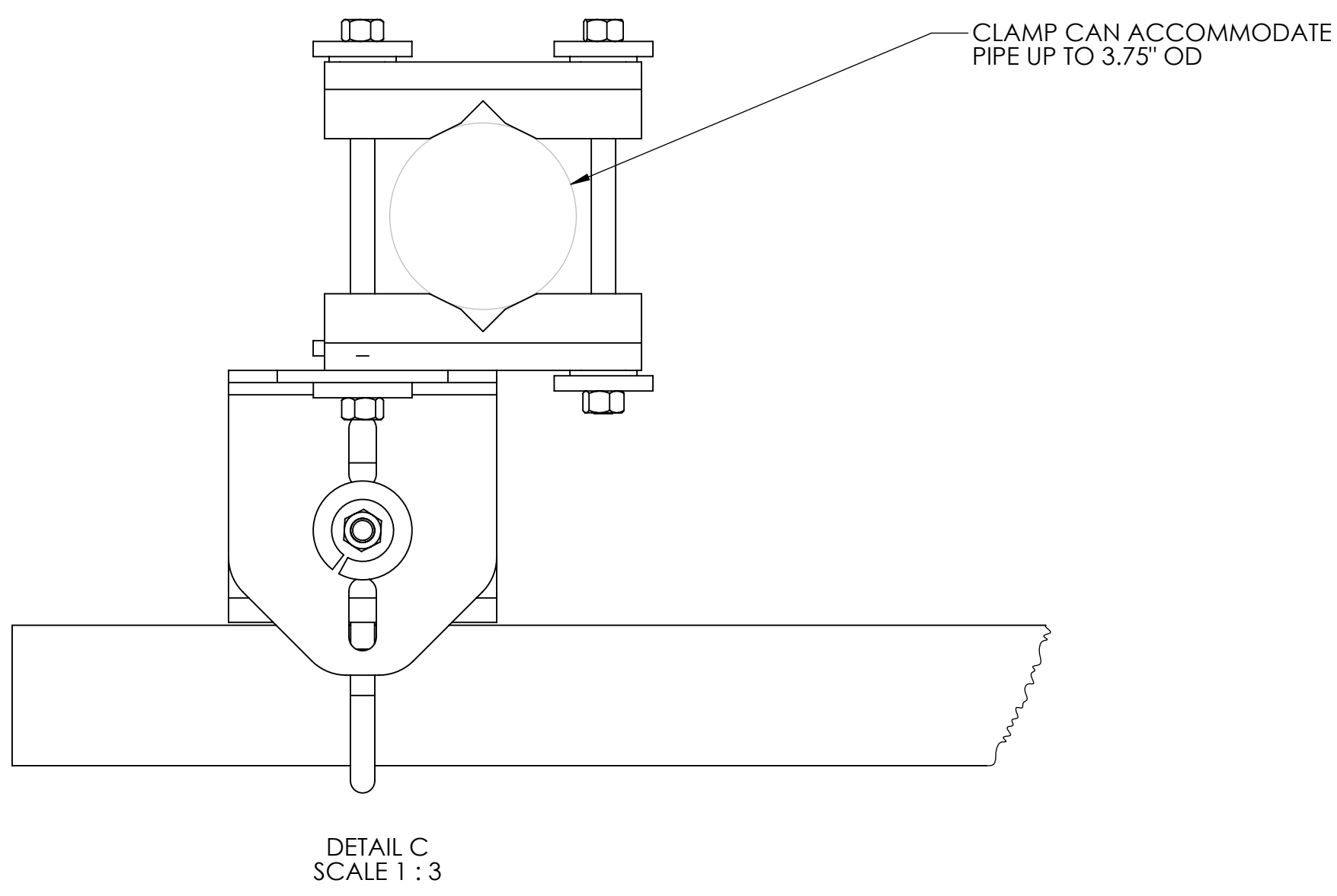
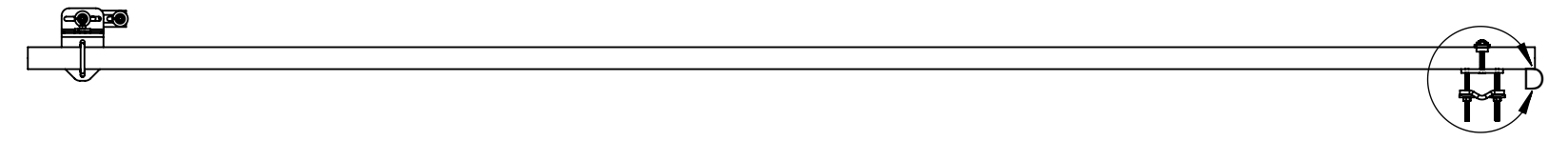
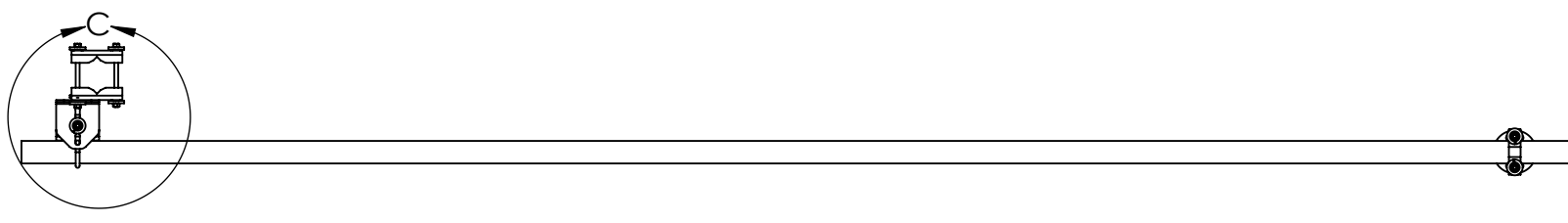
4

3

2

1

NOTES:



COMMSCOPE, INC. OF NORTH CAROLINA					
TITLE STIFF ARM, XP-R, 2-7/8 OD, SCH 40, X 198					
SIZE C	SCALE 1:24	DOCUMENT NO. MTC4078HD			
		DRAWING			SHEET 2 OF 2
		VERSION 01	STATUS RE	REVISION A	

© 2020 CommScope, Inc. Confidential

4

3

2

1

D

D

C

C

B

B

A

A