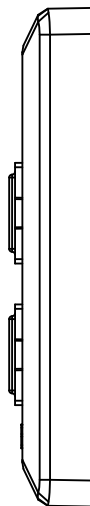
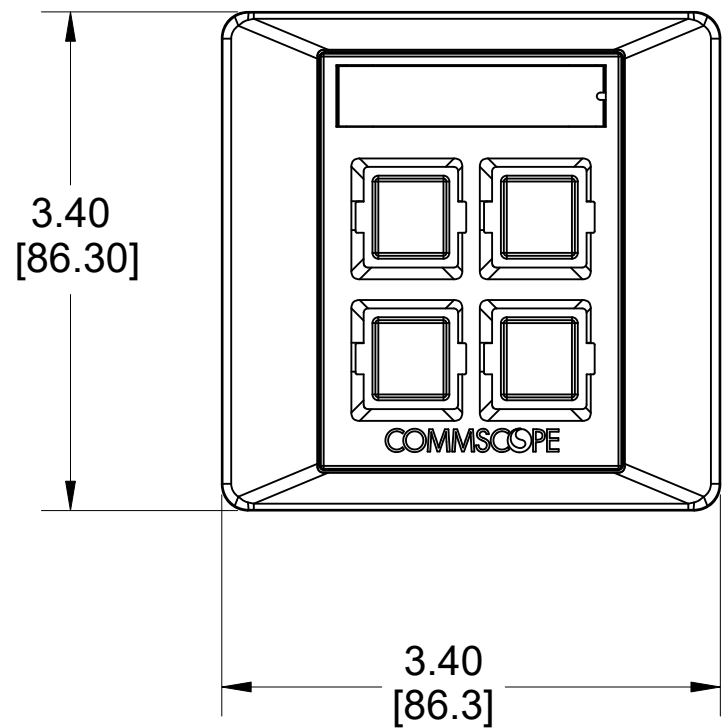
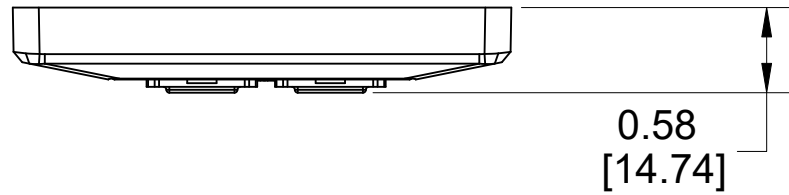


MATERIAL ID	DESCRIPTION
760254618	FPUS-BS-4P-SS



NOTES:

1. SEE COMMSCOPE CATALOG FOR PART NUMBER SUFFIXES TO INDICATE COLOR/PKG.
2. SEE COMMSCOPE CATALOG FOR COMPLETE LIST OF PARTS RELATED TO THE USE OF THIS PRODUCT.
3. DIMENSIONS IN PARENTHESES ARE IN METRIC[MM].
4. PART INCLUDES:
  - (1) FACEPLATE FUS, 2 PORT COVER SATIN SILVER
  - (1) FACEPLATE FUS, 4 PORT FRAME SATIN SILVER
  - (2) SCREW, M4-0.7X25 PHILLIPS PH NICKEL PIT
  - (4) DUST COVER,SATIN SILVER
  - (1) RETAINER, CARD
  - (1) LABEL CARD

FPUS-BS-4P-SS	
<b>COMMSCOPE, INC</b> OF NORTH CAROLINA	
DRAWN BY JW	DWG NO 760254618
DATE 12/13/2022	

REV	DATE	ECR	DESCRIPTION	APPROVED BY
1	12/13/22		INITIAL ISSUE	FW