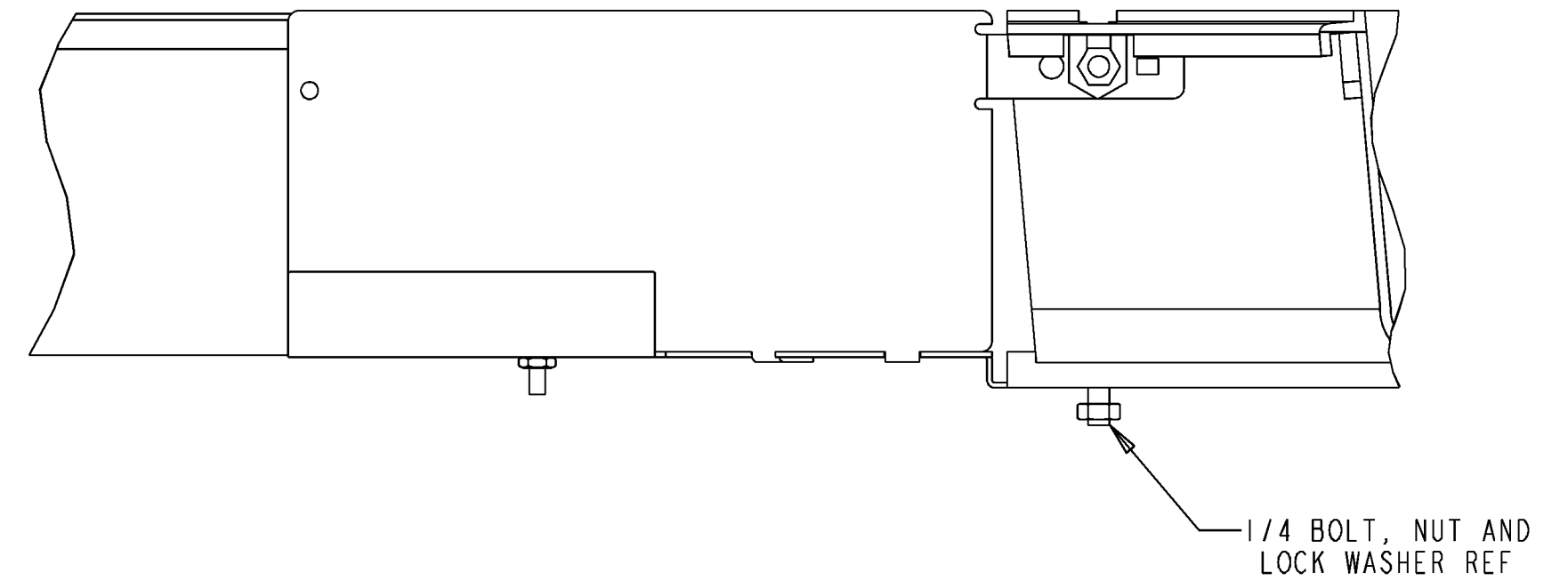
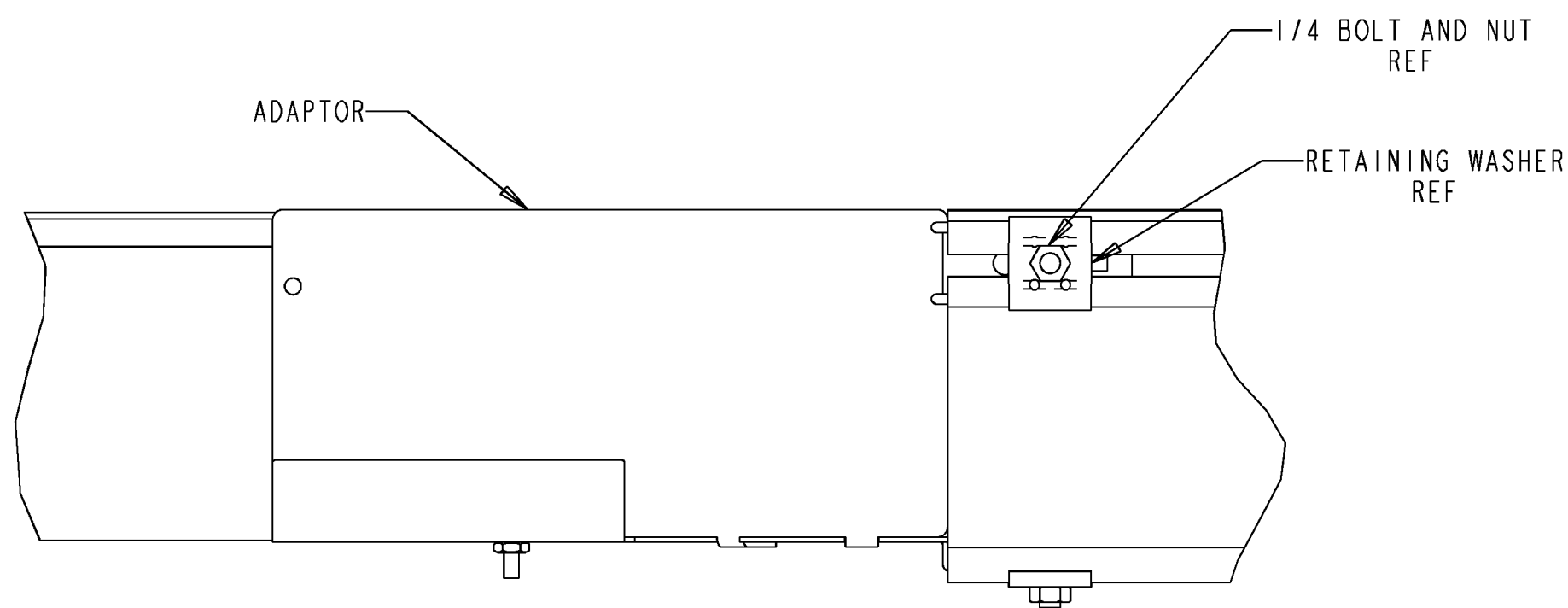
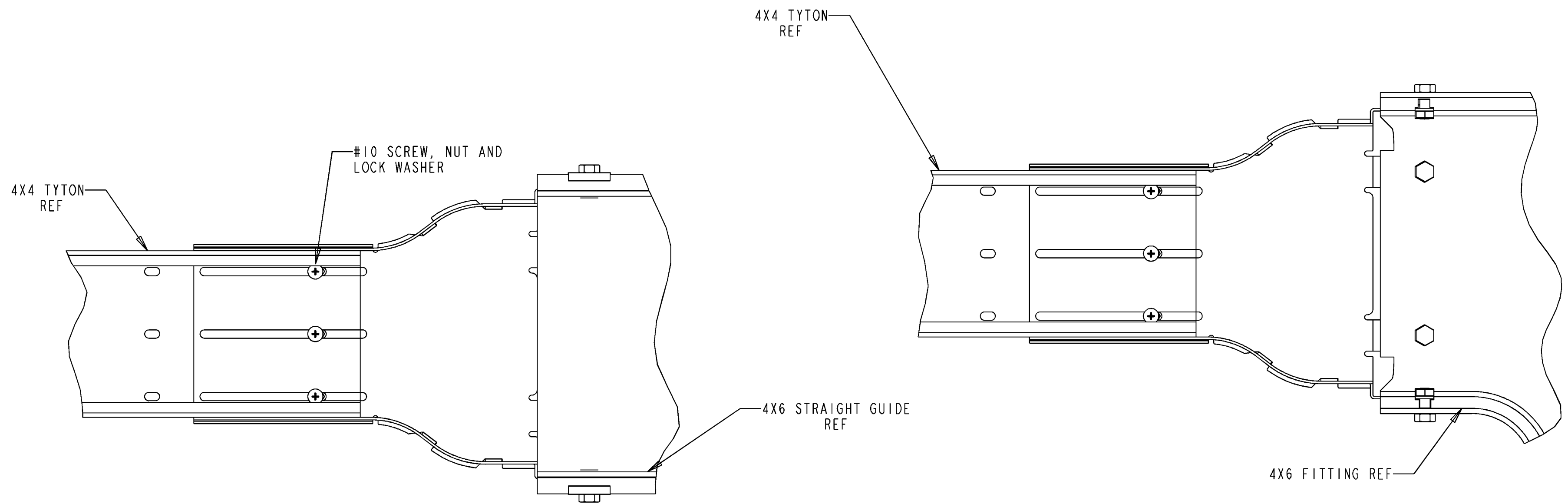


REV	ECO	DWN	DATE
A	20032751	CDZ	24/AUG/99
-	-----	---	-----



VIEW SHOWING ADAPTOR ATTACHED TO STRAIGHT GUIDE

VIEW SHOWING ADAPTOR ATTACHED TO FITTING

NOTES:

I. PARTS INCLUDED WITH KIT AS FOLLOWS:

- (1) ADAPTOR 4X6
- (4) 1/4 BOLT
- (4) 1/4 NUT
- (4) RETAINING WASHER
- (4) LOCK WASHER
- (3) SCREW 10-32
- (3) NUT 10-32
- (3) WASHER #10 LOCK

CATALOG NO: FGS-ACC102



INFORMATION ON THIS DOCUMENT IS PROPRIETARY TO ADC AND SHALL NOT BE USED, COPIED, REPRODUCED OR DISCLOSED IN WHOLE OR IN PART WITHOUT WRITTEN CONSENT OF ADC.

TITLE  
6" FGS-4" TYTON ADPTR  
INSTALLATION DRAWING

TOLERANCE UNLESS OTHERWISE SPECIFIED .XX: ±.02  
.XXX: ±.010  
ANGULAR: ±2°

C SIZE DRAWING NUMBER  
A REV 1067676

TELECOMMUNICATIONS

DO NOT SCALE DRAWING

ENGR: KEVIN HRUBY  
DWN: CRAIG ZELASKO

SHT. 1 OF 1