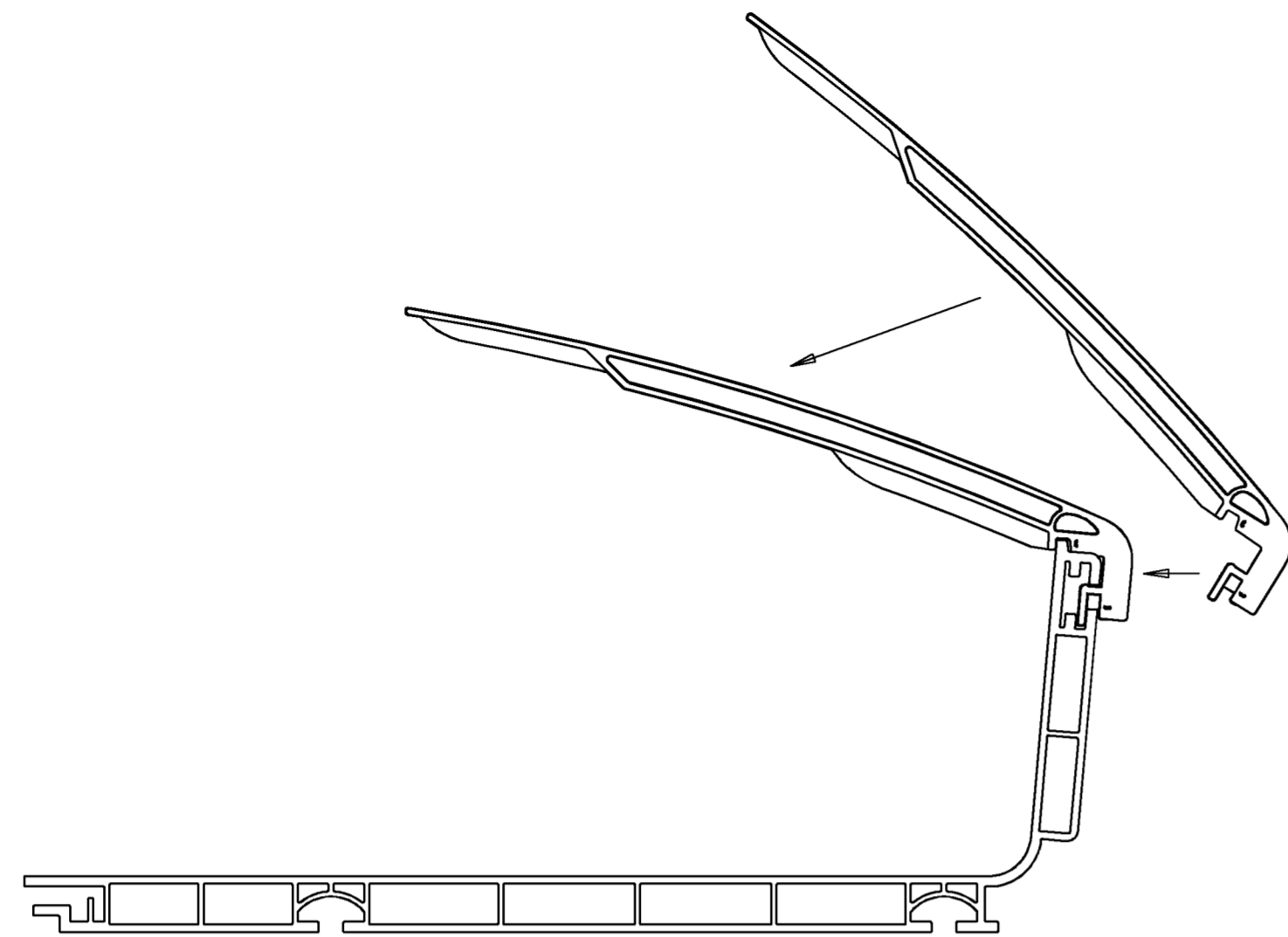
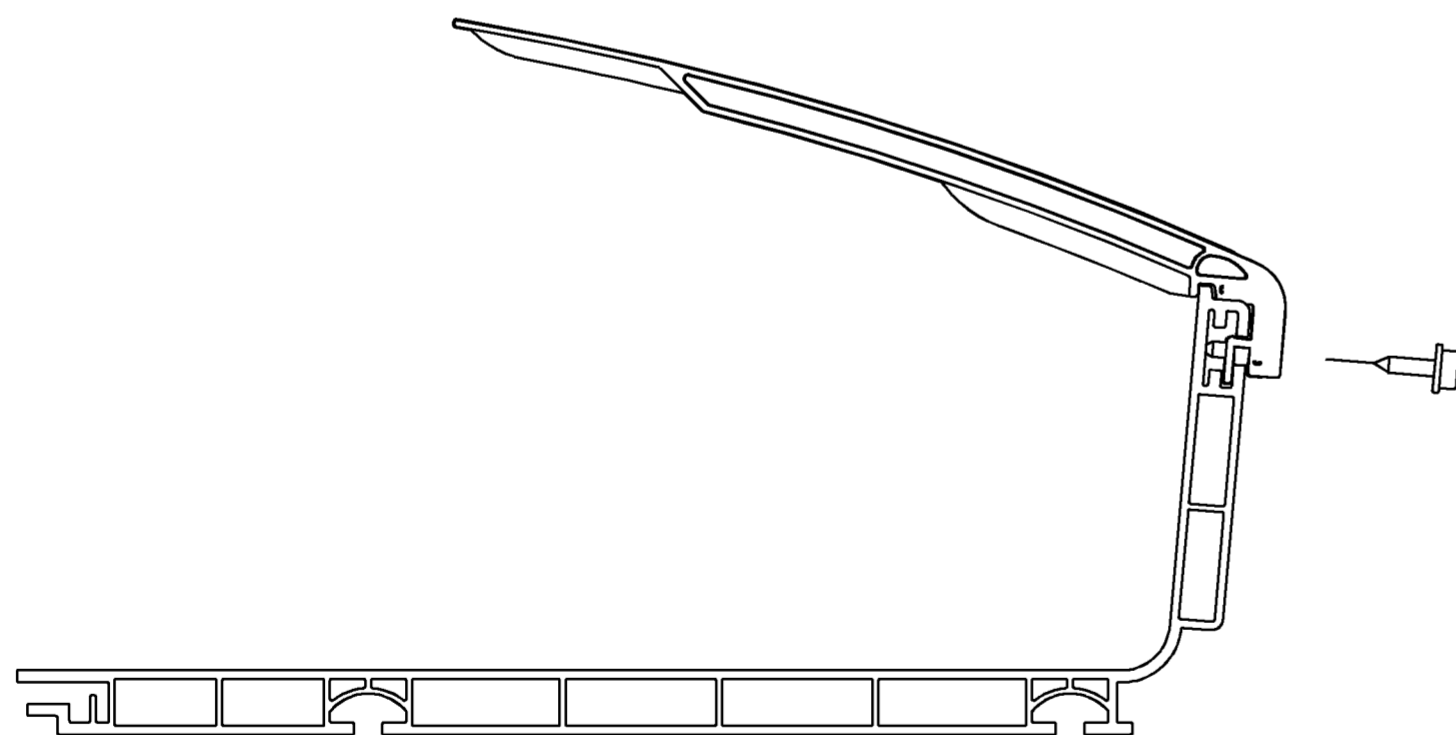


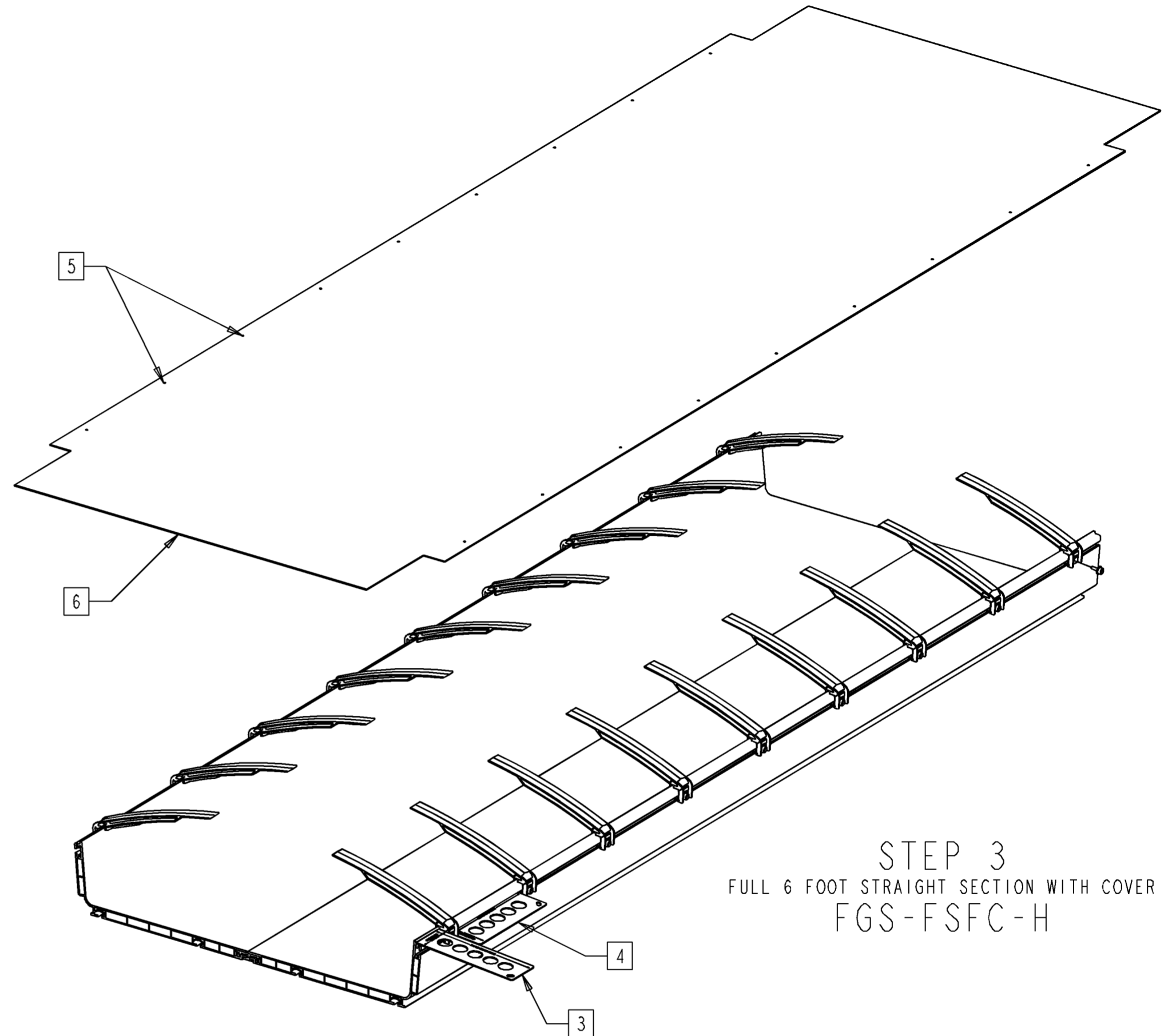
REV	MCO	DWN	DATE
C	20249059	GTC	17-SEP-09
D	20269904	DGS	12-AUG-09



STEP 1 [1]



STEP 2 [2]



STEP 3
FULL 6 FOOT STRAIGHT SECTION WITH COVER
FGS-FSFC-H

NOTES:

- [1] INSERT BASE OF RIB INTO SLOT ON THE SIDE OF THE TROUGH, PIVOT DOWN AND SNAP INTO PLACE.
- [2] INSERT SNAP-HEAD SCREW INTO HOLE IN END OF RIB AS SHOWN, DO NOT TIGHTEN COMPLETELY.
- [3] POSITION FIRST RIB OF STRAIGHT SECTION BY USING THE SPACER TOOL PROVIDED. PLACE END OF T-BOLT INTO SLOT AND TIGHTEN, THIS WILL KEEP SPACER FROM FALLING IF DROPPED. ALIGN THE EDGE OF THE TROUGH WITH THE LONG EDGE OF THE SPACER TOOL. POSITION FIRST RIB AND TIGHTEN SCREW TO RETAIN THE RIBS POSITION.
- [4] ON STRAIGHT SECTION USE SPACER TOOL TO DETERMINE PROPER SPACE BETWEEN THE RIBS. POSITION FIRST RIB [3] THEN USE SPACER TO POSITION SECOND RIB AND TIGHTEN. REPEAT FOR ALL RIBS ALONG THAT EDGE.
- [5] LAY FABRIC COVER OVER PIECE WITH ALL RIBS INSTALLED, POSITION CORRECTLY, AND SNAP IN ALL SNAPS ON ONE SIDE. THEN MOVE TO OTHER SIDE AND SNAP IN ALL SNAPS, STREACHING COVER SLIGHTLY.
- [6] OVERLAP ON FABRIC IS TO BE LAID OVER RIBS OF ADJACENT TROUGHS OR FITTINGS.
7. STRAIGHT SECTION SHOWN FOR REFERENCE. RIB POSITION ON OTHER SECTIONS SHOWN ON SHEET 2.



INFORMATION ON THIS DOCUMENT IS PROPRIETARY TO ADC AND SHALL NOT BE USED, COPIED, REPRODUCED OR DISCLOSED IN WHOLE OR IN PART WITHOUT WRITTEN CONSENT OF ADC.

ALL DIMS AND TOLERANCES ARE INCHES UNLESS OTHERWISE SPECIFIED

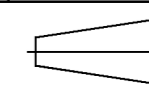
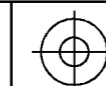
DO NOT SCALE DRAWING

TITLE
24" FGS COVER
INSTALLATION DRAWING

DRAWING NUMBER
1451786

ENGR: DEREK SAYRES
DWN: GLEN CORDLE

SHT. 1 OF 3



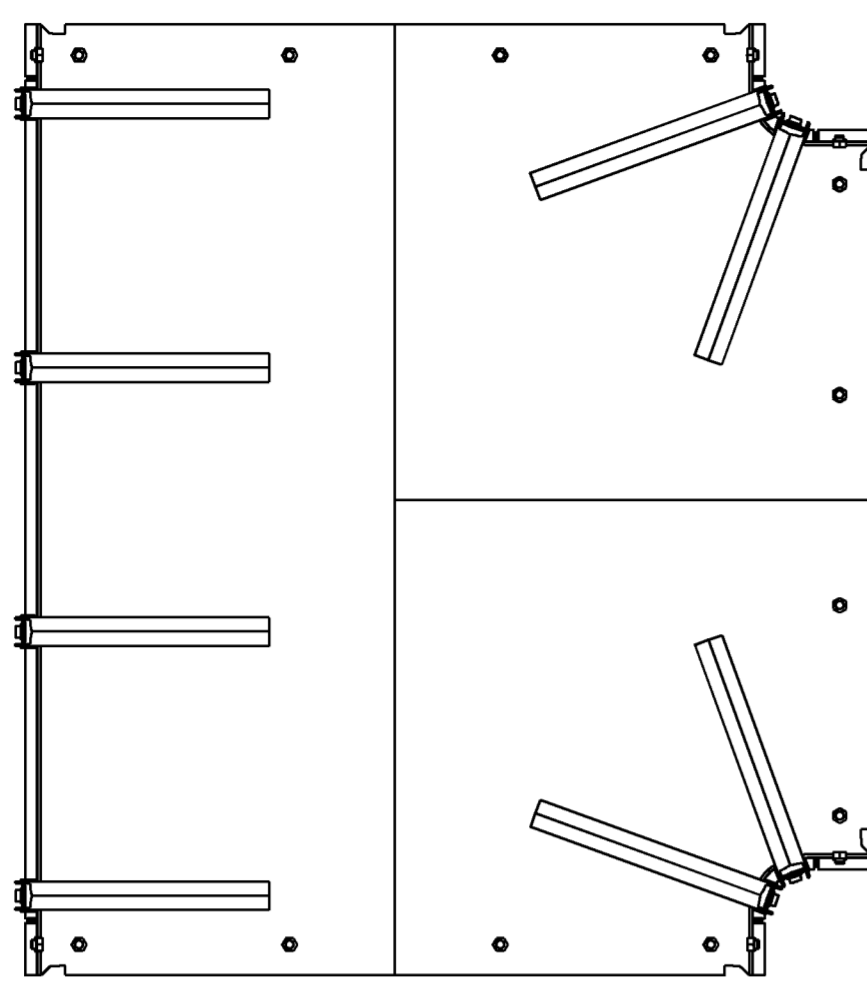
DIMENSIONS IN INCHES
THIRD ANGLE PROJECTION

A

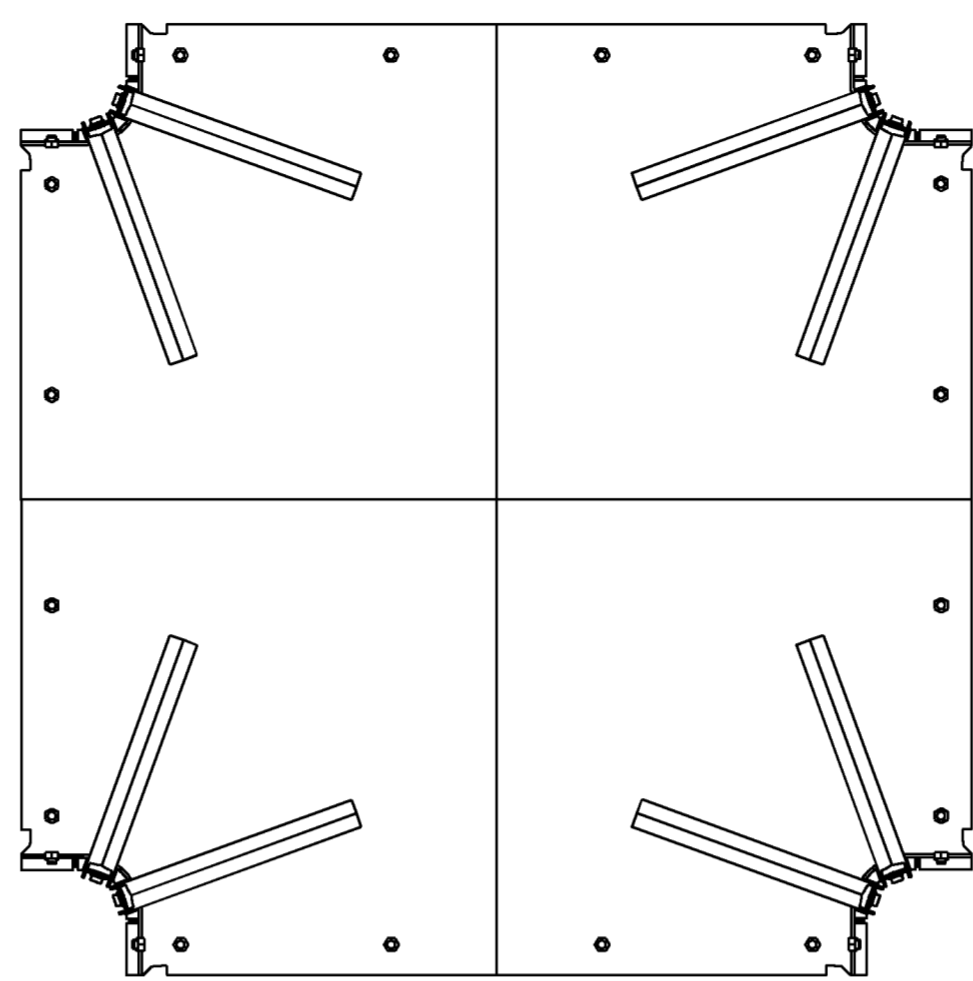
B

C

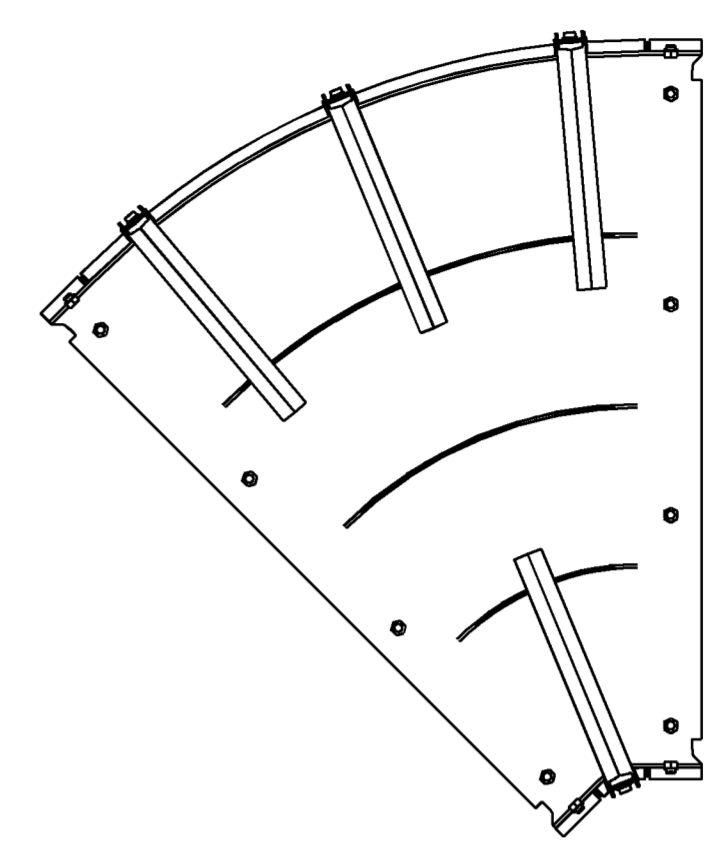
D



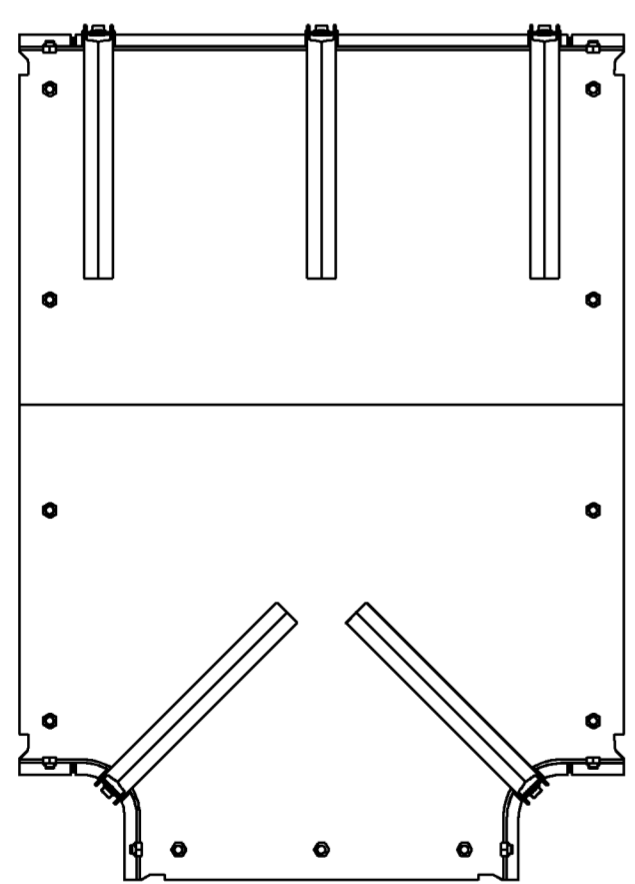
24" TO 24" TEE
FGS-FHRT-H



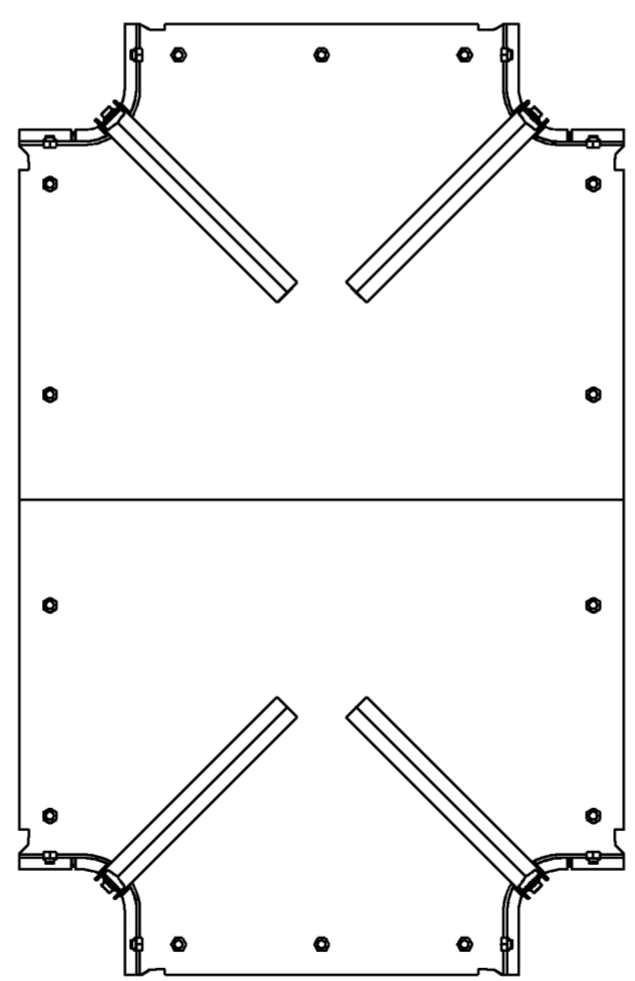
24" TO 24" CROSS
FGS-FHXP-H



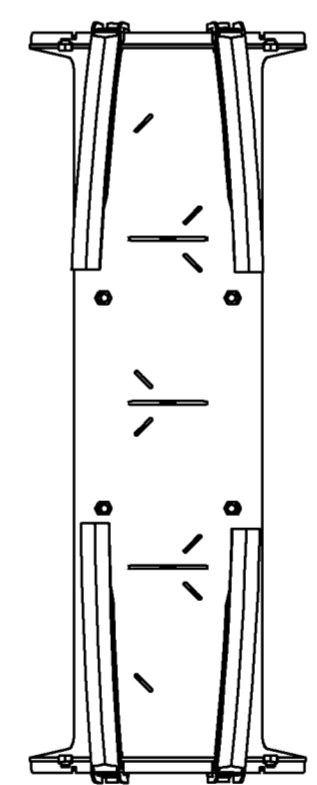
24" 45° HORIZONTAL ELBOW
FGS-FH4E-H



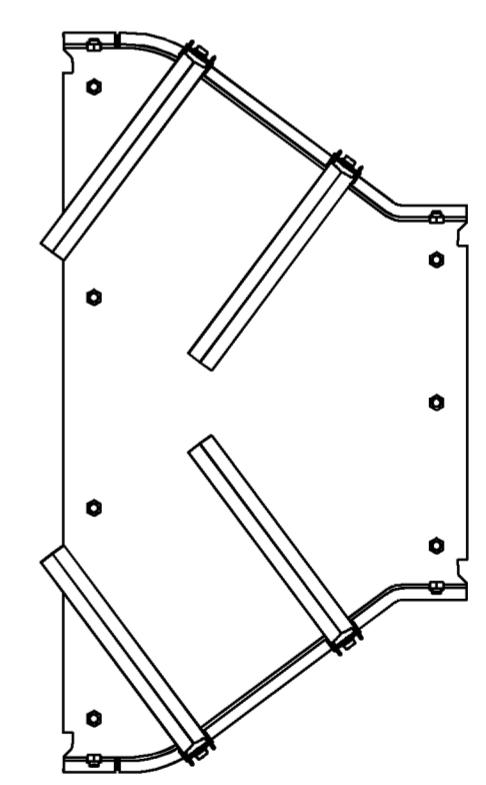
24" TO 12" TEE
FGS-FHRT-H/F



24" TO 12" CROSS
FGS-FHXP-F/H



24" 45° DOWN ELBOW
FGS-FD4E-H



24" TO 12" REDUCER
FGS-FDSA-HF

TOP VIEWS OF FITTINGS WITH APPROXIMATE RIB LOCATIONS SHOWN. ADJUSTMENT MAY BE REQUIRED TO GET COVER SNAPPED INTO POSITION.



<small>INFORMATION ON THIS DOCUMENT IS PROPRIETARY TO ADC AND SHALL NOT BE USED, COPIED, REPRODUCED OR DISCLOSED IN WHOLE OR IN PART WITHOUT WRITTEN CONSENT OF ADC.</small>		<small>TITLE</small> 24" FGS COVER INSTALLATION DRAWING	
<small>ALL DIMS AND TOLERANCES ARE INCHES UNLESS OTHERWISE SPECIFIED</small>	<small>.XX:±xx</small> <small>.XXX:±xxx</small> <small>ANGULAR:±N/A</small>	<small>C SIZE</small>	<small>DRAWING NUMBER</small> 1451786
<small>DO NOT SCALE DRAWING</small>	<small>ENGR: DEREK SAYRES</small> <small>DWN: GLEN CORDLE</small>	<small>SHT. 2 OF 3</small>	<small>D REV</small>

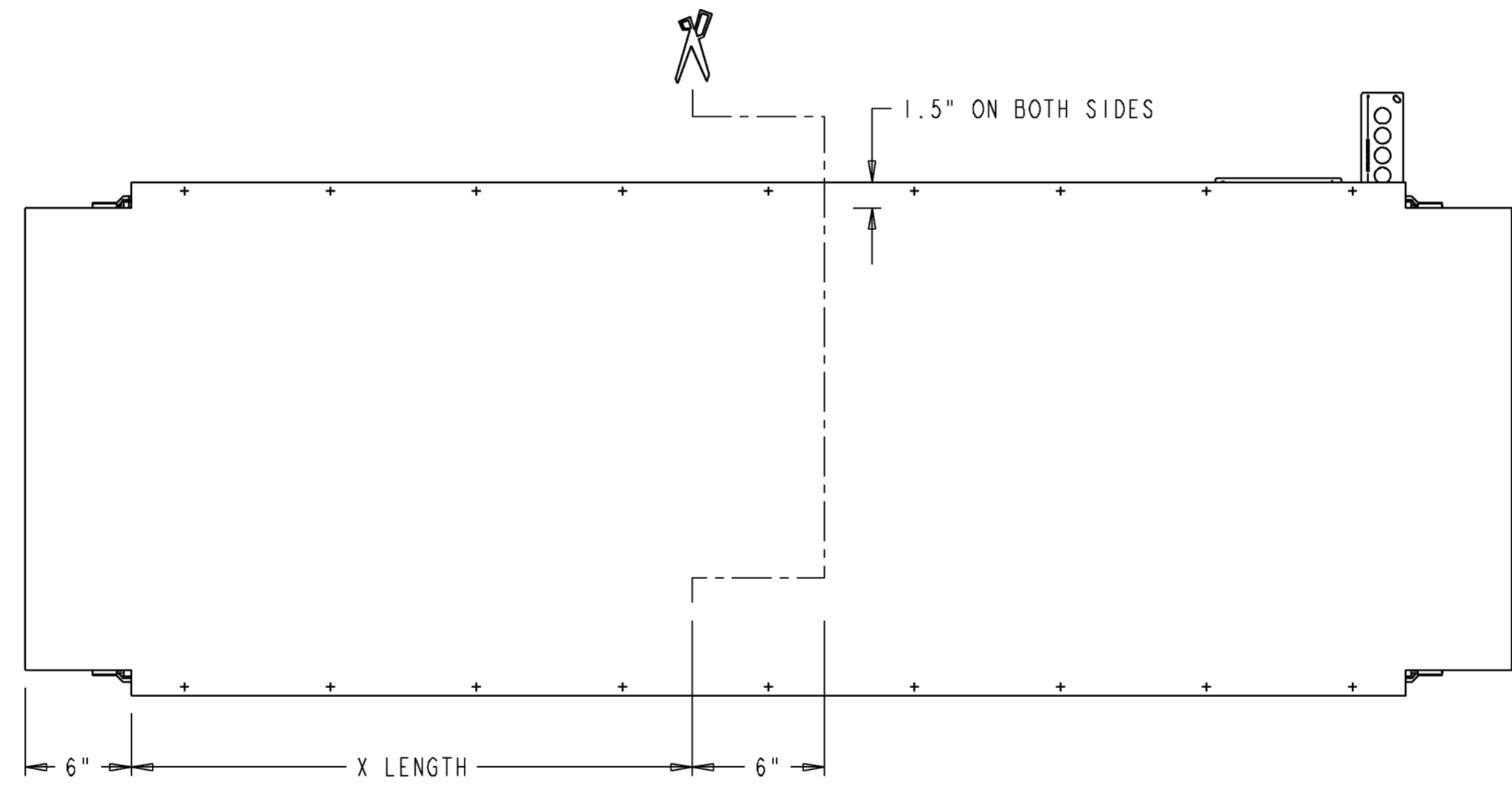
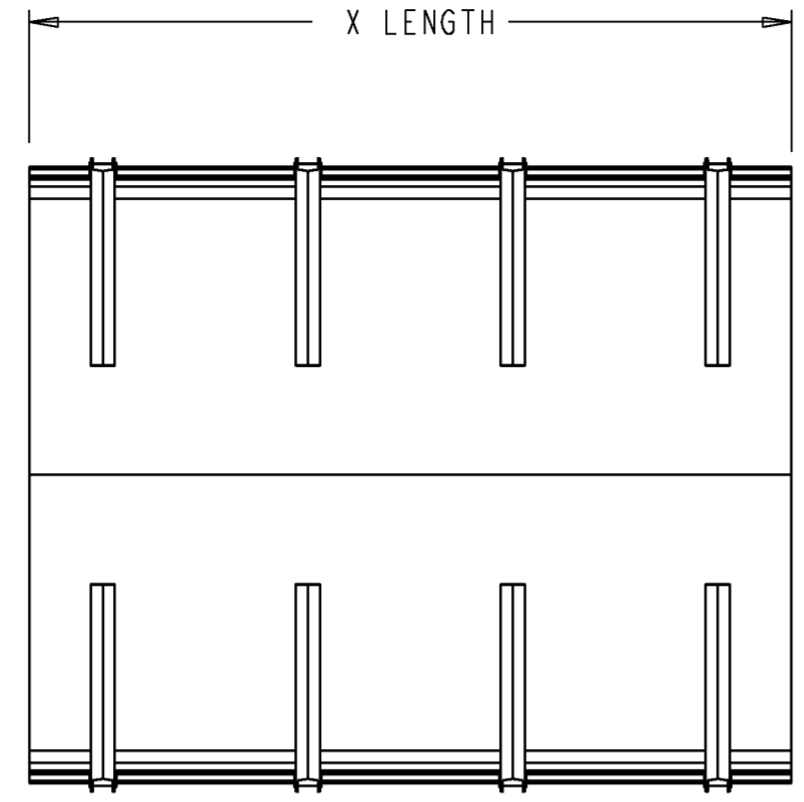
DIMENSIONS IN INCHES
THIRD ANGLE PROJECTION

A

B

C

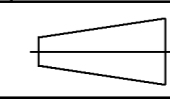
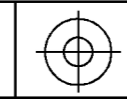
D



IN THE CASE OF A SHORTER STRAIGHT SECTION, MODIFICATION TO THE COVER IS POSSIBLE.
 CUT COVER TO LENGTH AS SHOWN, LEAVING 6" FOR PROPER OVERLAP OF MATERIAL.



INFORMATION ON THIS DOCUMENT IS PROPRIETARY TO ADC AND SHALL NOT BE USED, COPIED, REPRODUCED OR DISCLOSED IN WHOLE OR IN PART WITHOUT WRITTEN CONSENT OF ADC.		TITLE 24" FGS COVER INSTALLATION DRAWING	
ALL DIMS AND TOLERANCES ARE INCHES UNLESS OTHERWISE SPECIFIED	.XX:±.XX .XXX:±.XXX ANGULAR:±N/A	C SIZE DRAWING NUMBER 1451786	D REV
DO NOT SCALE DRAWING		ENGR: DEREK SAYRES DWN: GLEN CORDLE	SHT. 3 OF 3



**DIMENSIONS IN INCHES
 THIRD ANGLE PROJECTION**

A

B

C

1

2

3

4

1

2

3

4