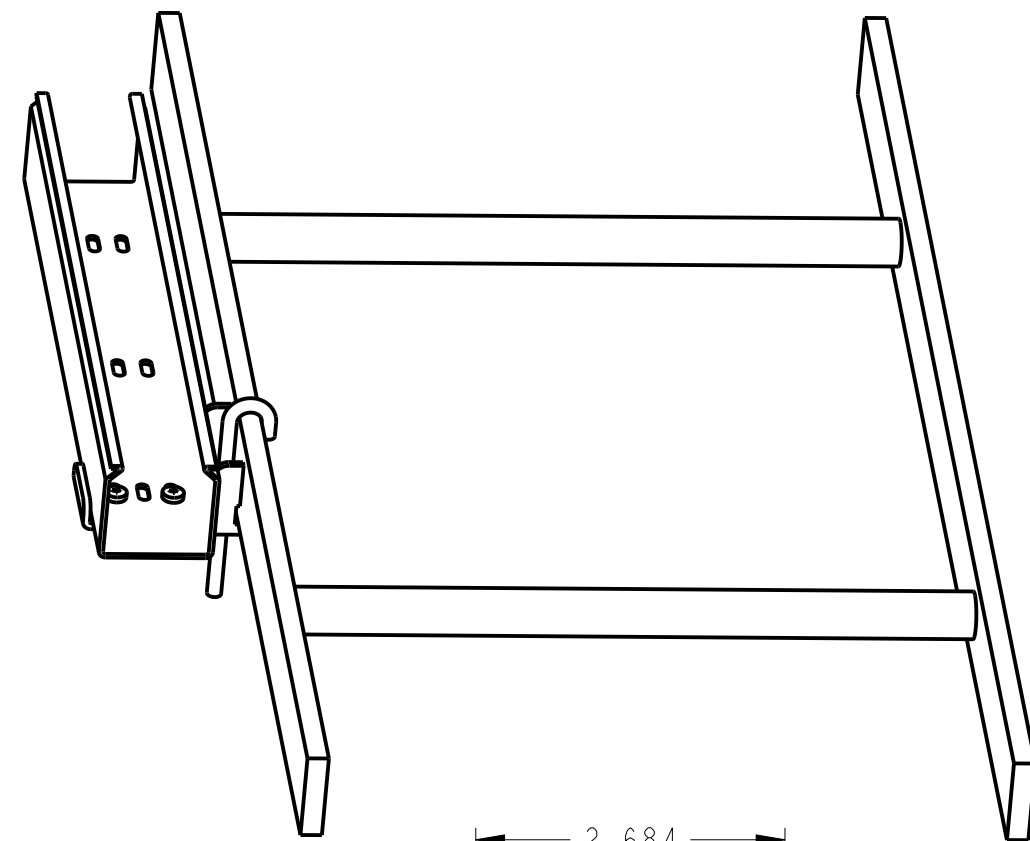
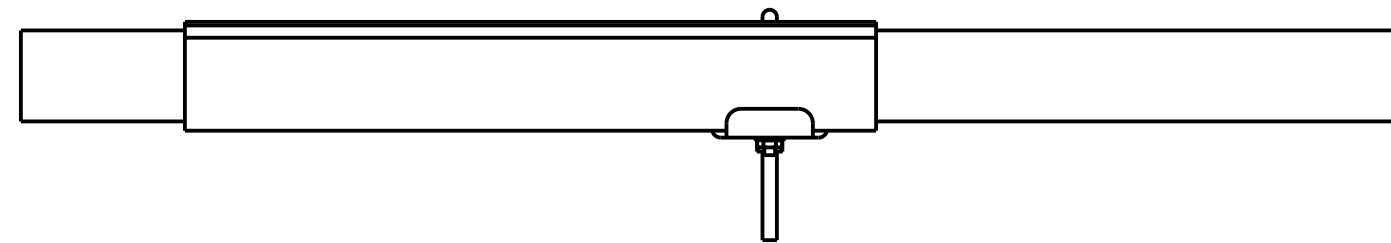
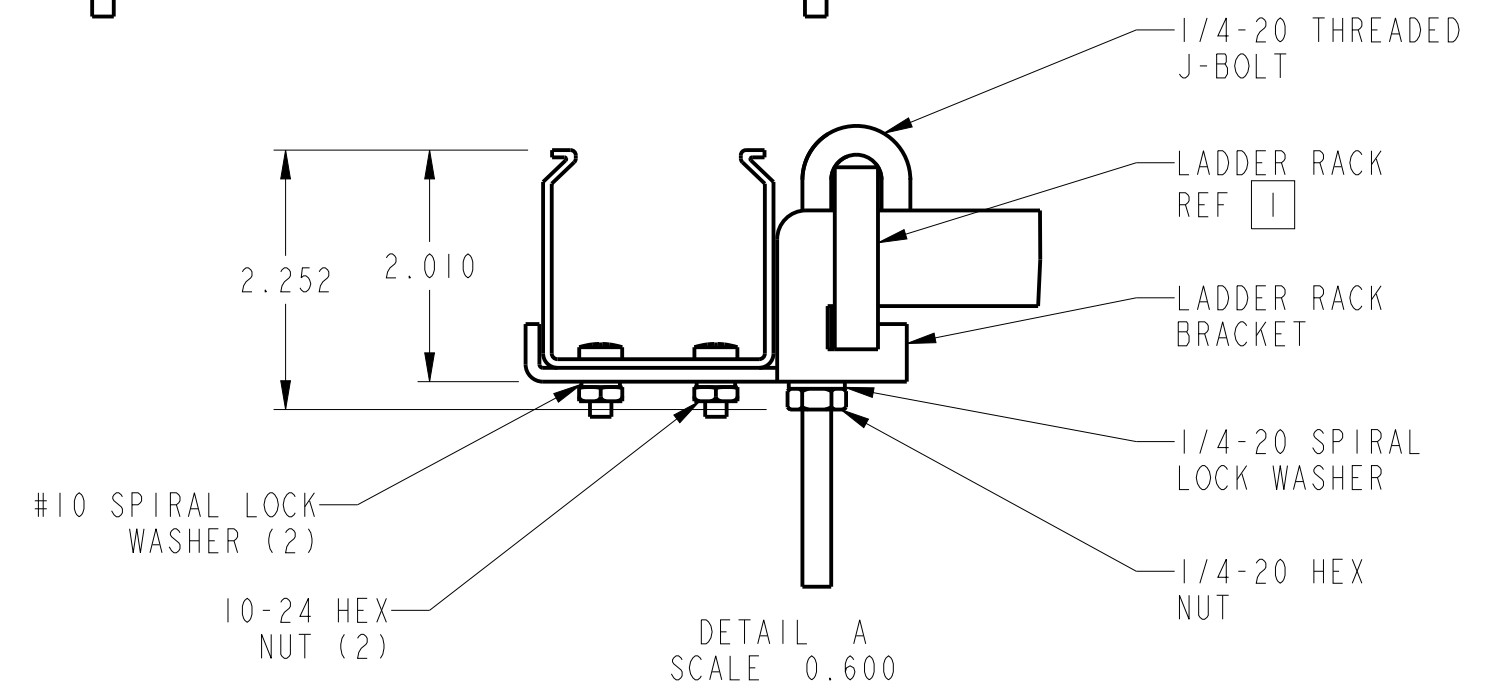
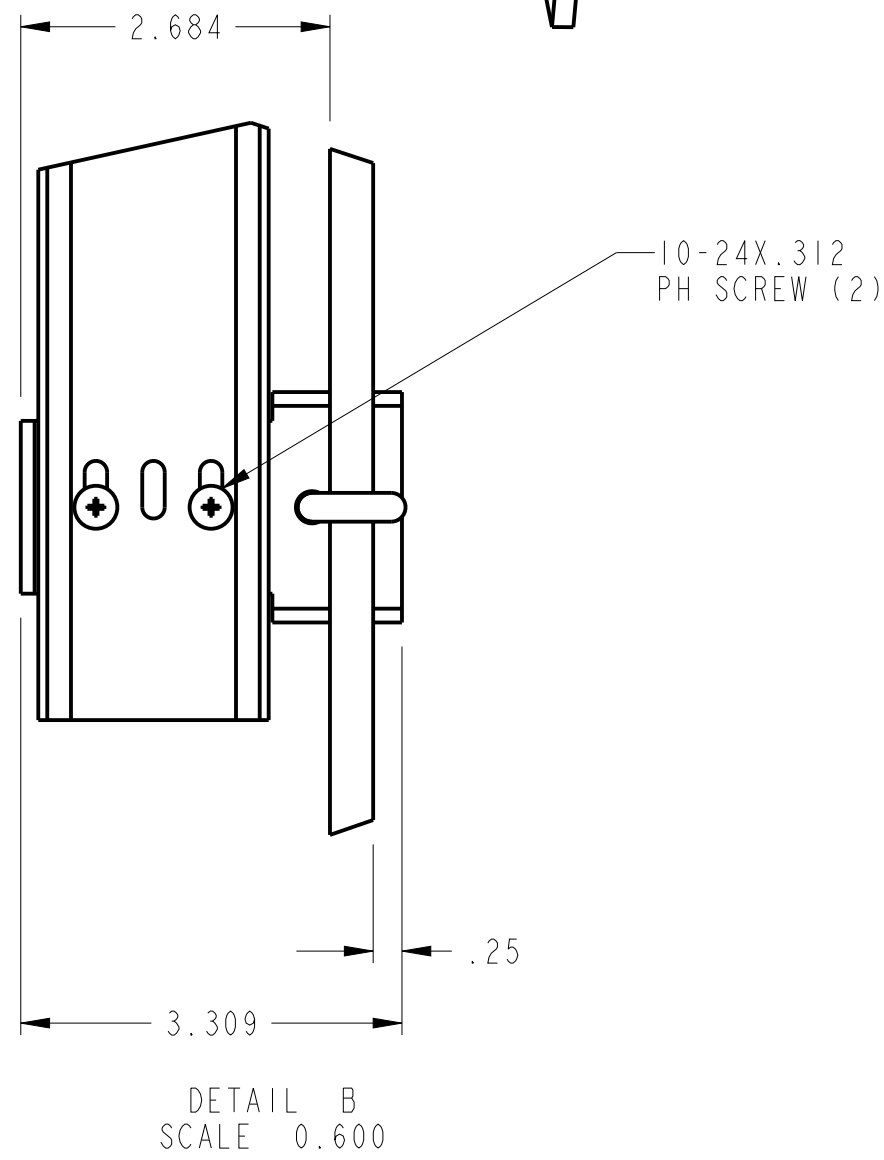
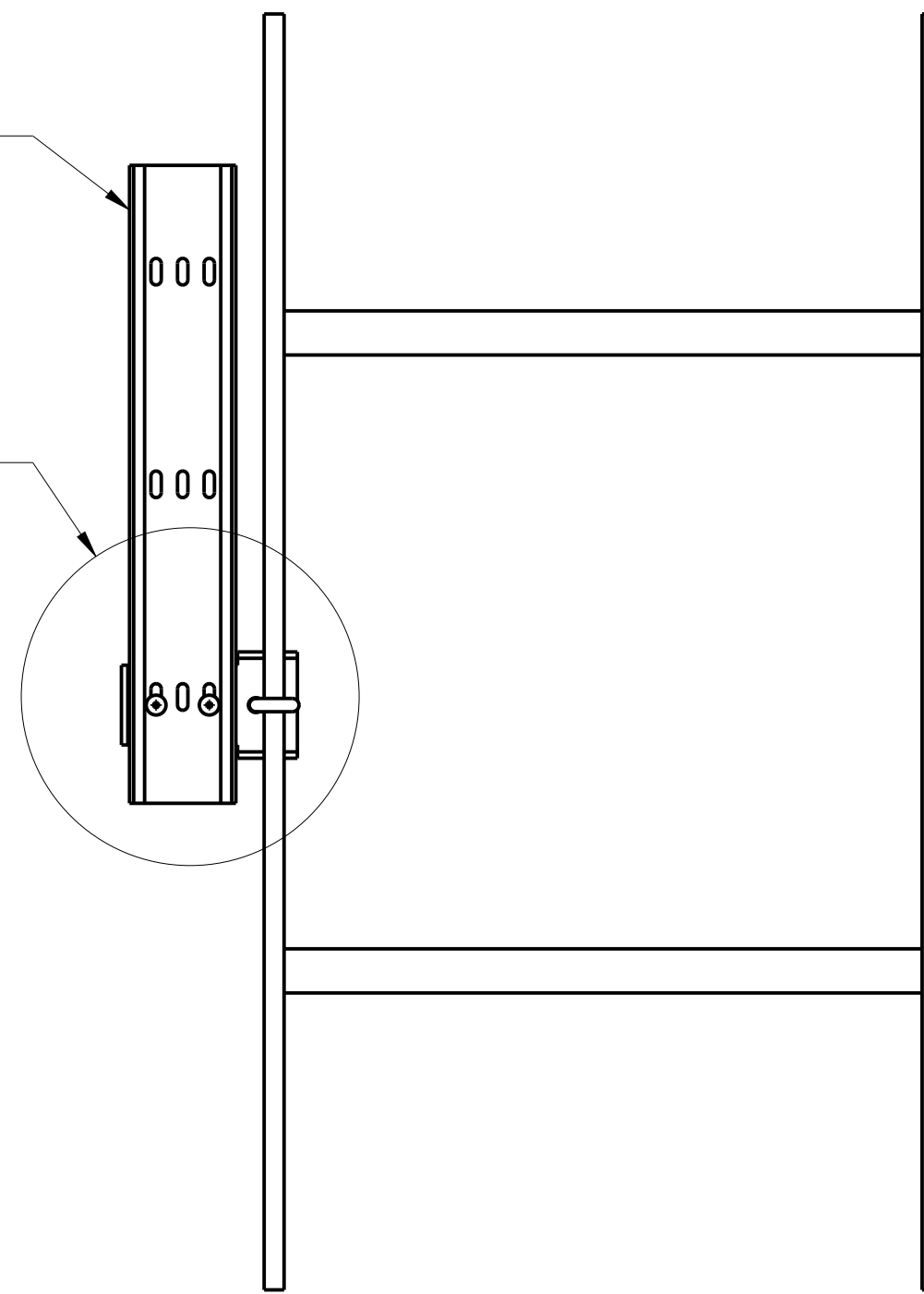


REV	MCO	DWN	DATE
B	40013643MCO	CA	21-APR-14
C	8000019185	IAV	20-JAN-17

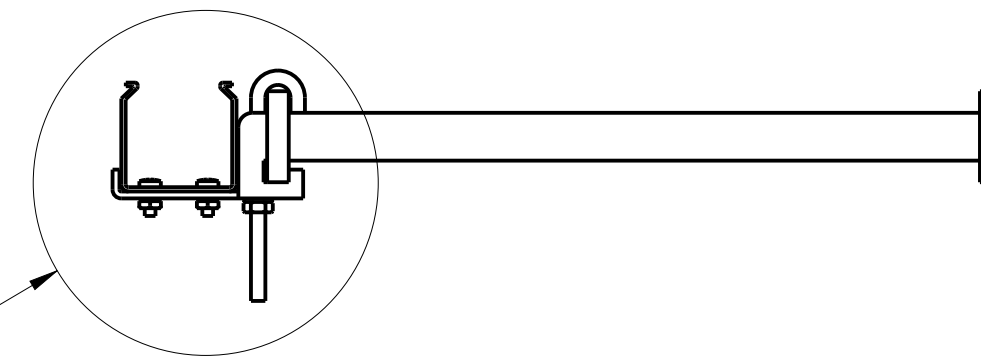


2"X2" FIBERGUIDES, REF [1]
(NOT INCLUDED WITH KIT)

SEE DETAIL B



SEE DETAIL A



NOTES:

[1] ITEMS ARE NOT INCLUDED WITH KIT.

COMMSCOPE, INC.

© 2016 COMMSCOPE, INC. CONFIDENTIAL NOTICE: THESE DRAWINGS AND SPECIFICATIONS ARE THE PROPRIETARY PROPERTY OF COMMSCOPE, INC. AND MAY BE USED ONLY FOR THE SPECIFIC PURPOSE AUTHORIZED IN WRITING BY COMMSCOPE, INC.		TITLE FIBERGUIDES, KIT LADDER RACK BRKT INSTALLATION DRAWING	
ALL DIMS AND TOLERANCES ARE INCHES UNLESS OTHERWISE SPECIFIED	.XX:±REF .XXX:±REF ANGULAR:±REF	C SIZE DRAWING NUMBER 4-29000-3161	C REV
DO NOT SCALE DRAWING	ENGR: ROY HENNEBERGER DWN: T. REDMANN	SHT. 1 OF 1	

DIMENSIONS IN INCHES
THIRD ANGLE PROJECTION