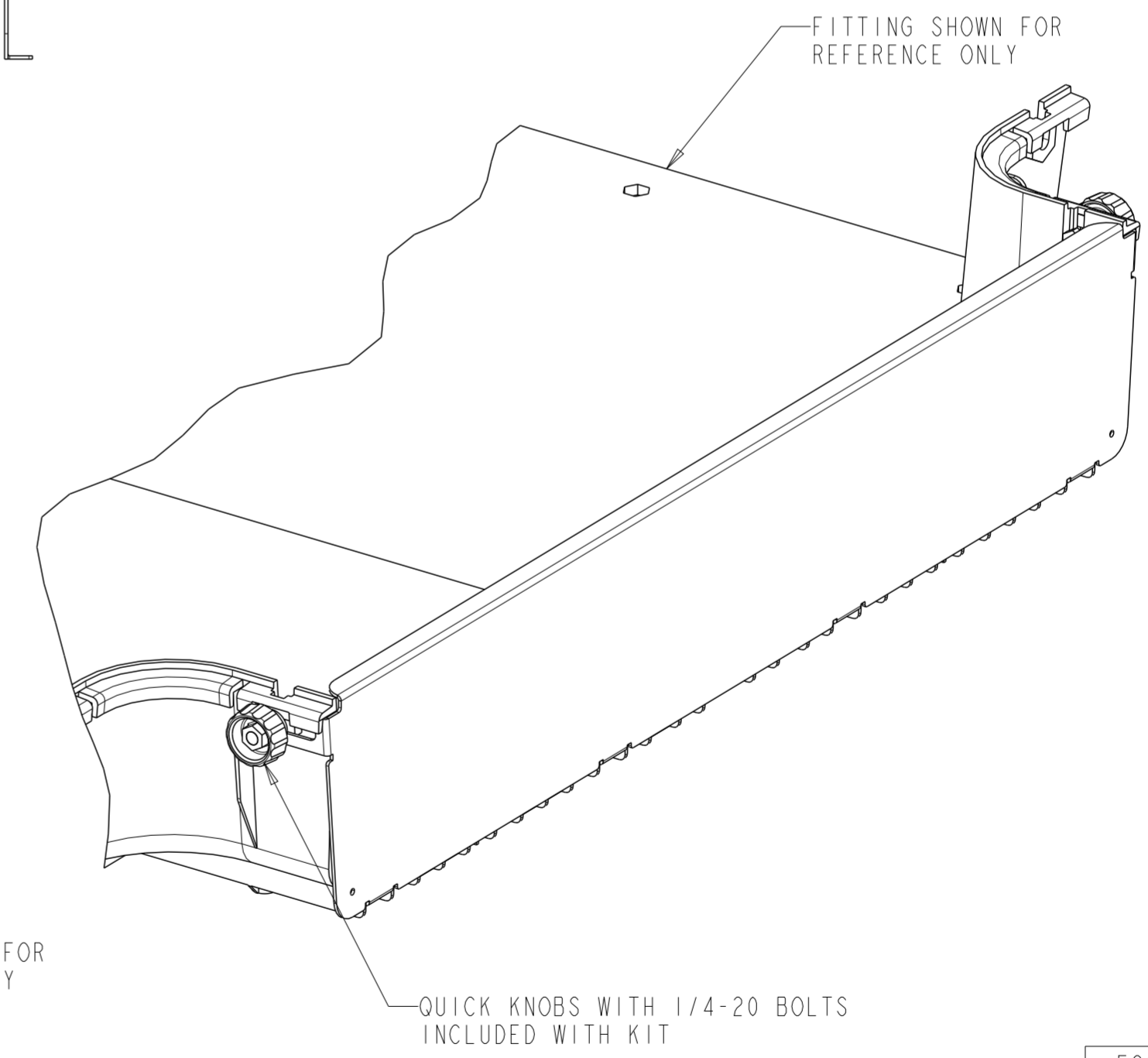
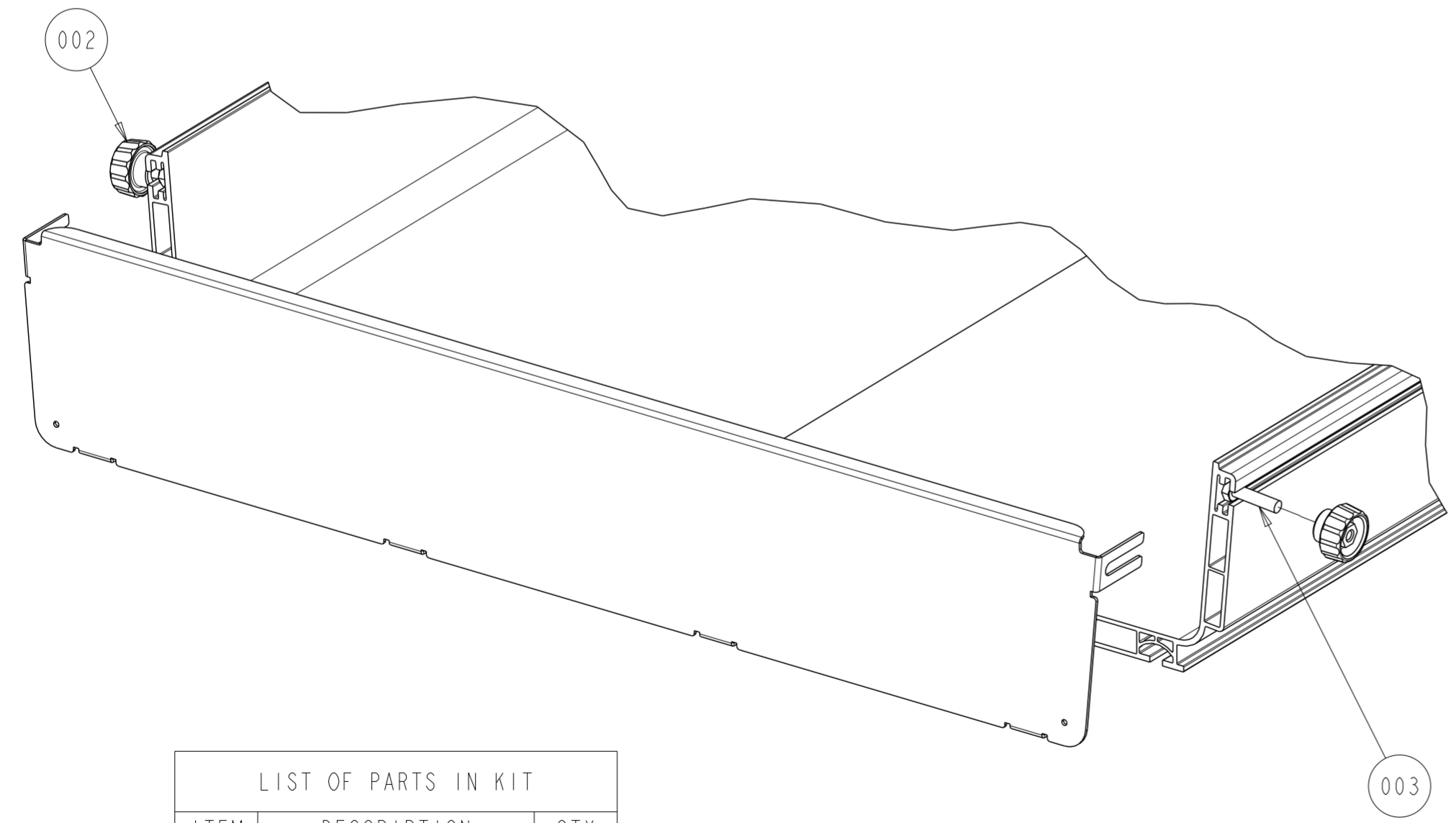
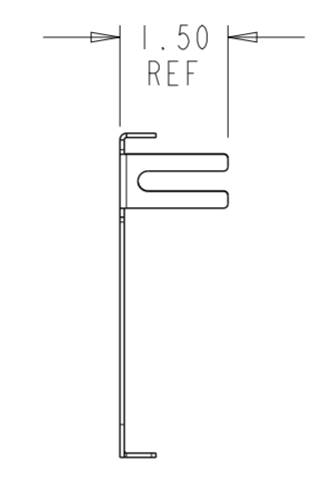
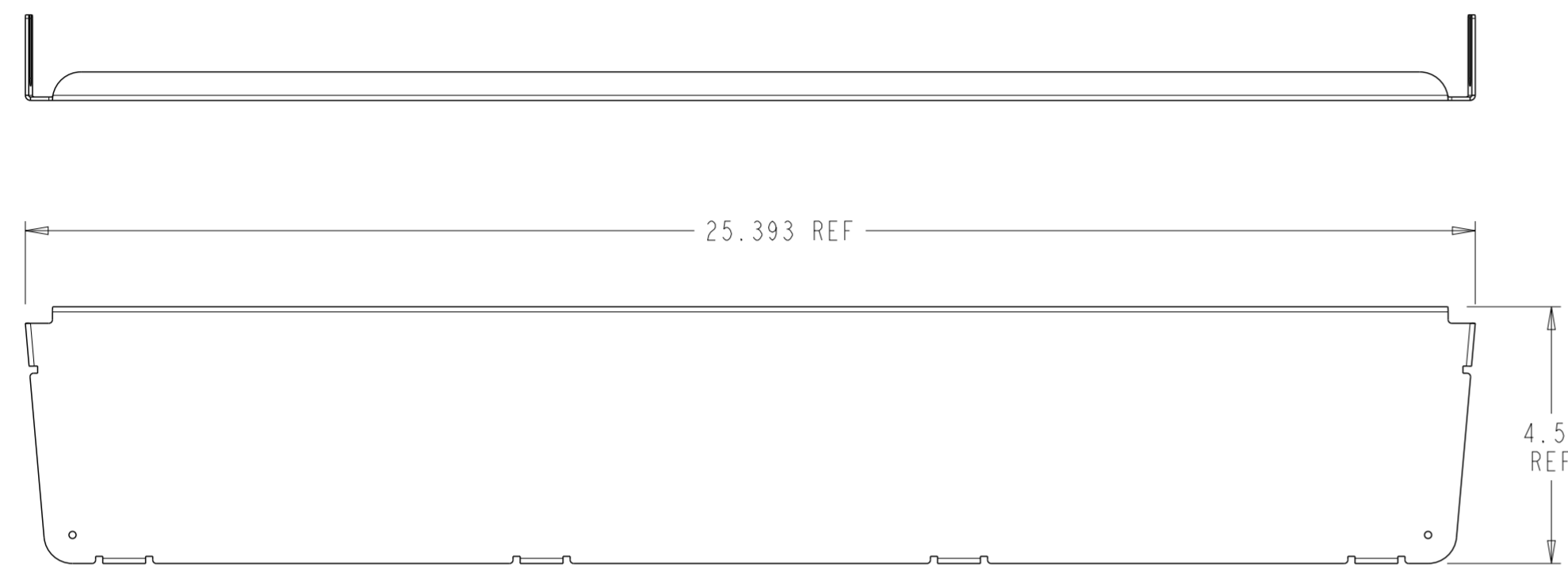
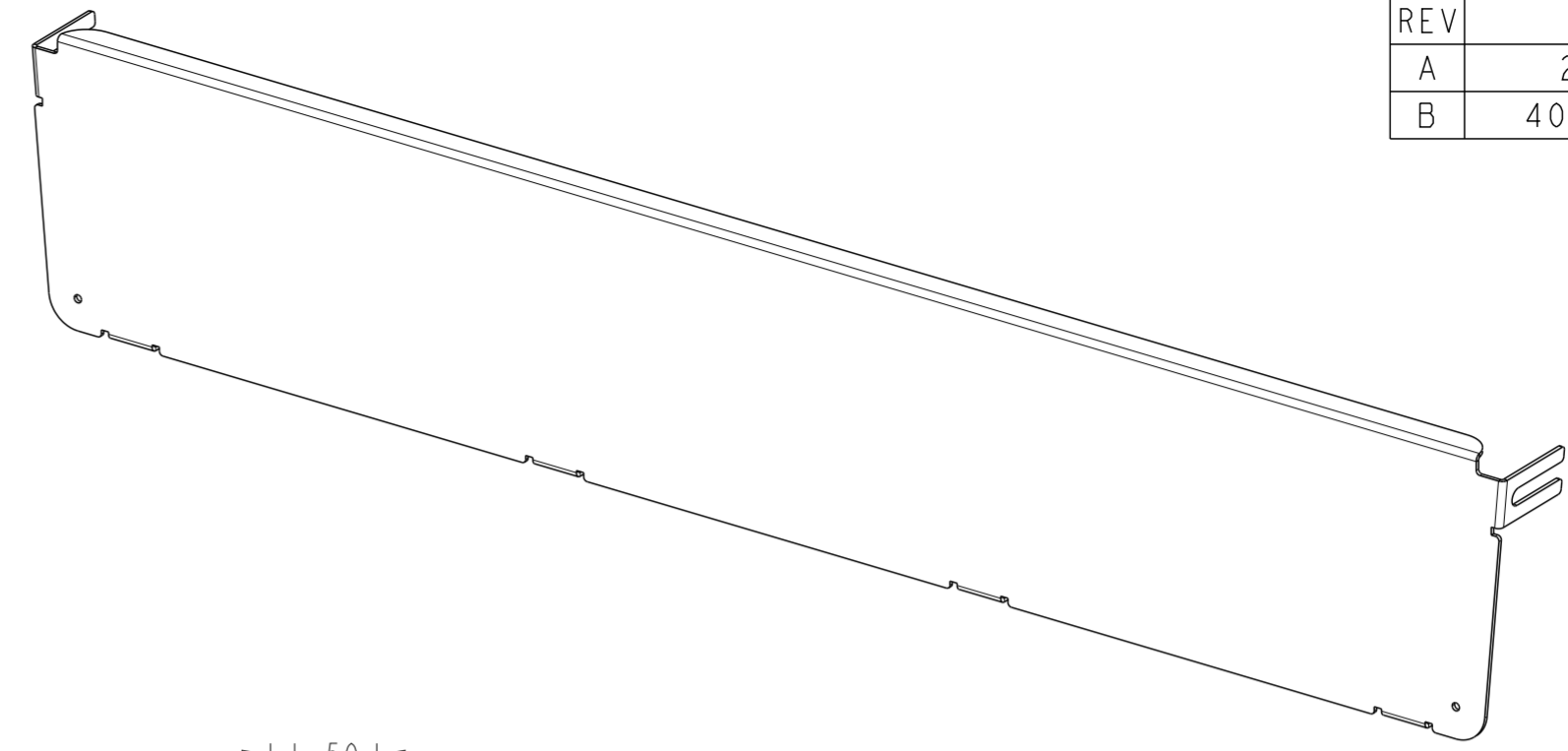


REVISIONS			
REV	CMO	DATE	APPROVED
A	20208586	08-JAN-07	DGS
B	40098975CMO	04-NOV-2019	ODVL



LIST OF PARTS IN KIT		
ITEM	DESCRIPTION	QTY
001	END CAP	1
002	QUICK KNOB	2
003	1/4-20 X 1" UNC	2

FGS-HMEC-H	BLACK
FGS-HMEC-H-Y	YELLOW
CATALOG NO.	ENDCAP

COMMSCOPE, INC.			
DRAFTER DEREK SAYRES		TITLE FGS 24in END CAP INSTALLATION DRAWING	
ENGINEER RUBEN ARVILLA	SIZE A2	SCALE 0.375	DOCUMENT NO. 1386453_ADC
CUSTOMER DRAWING			REVISION B
			SHEET 1 OF 1