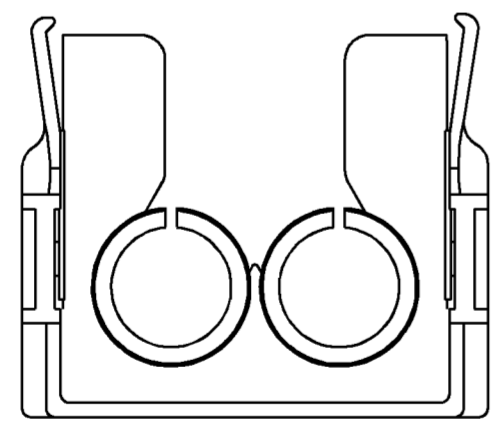
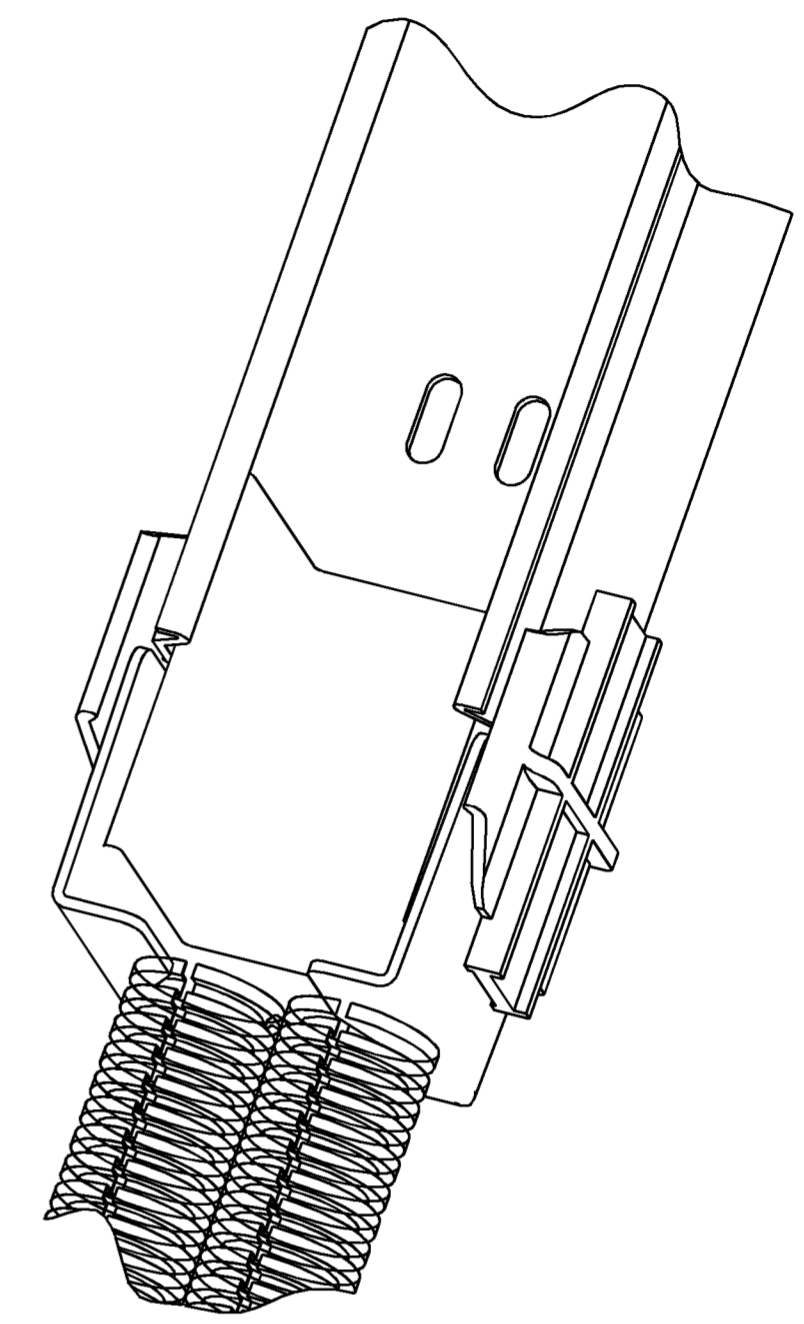
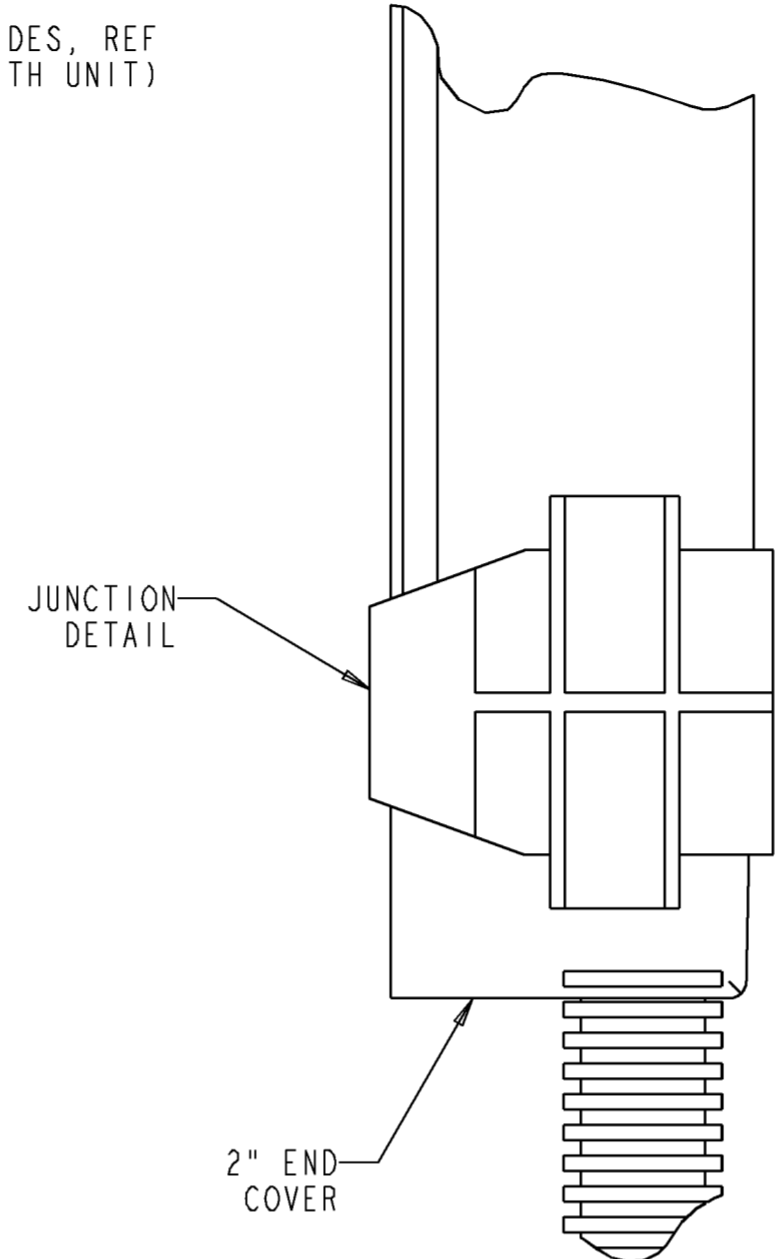
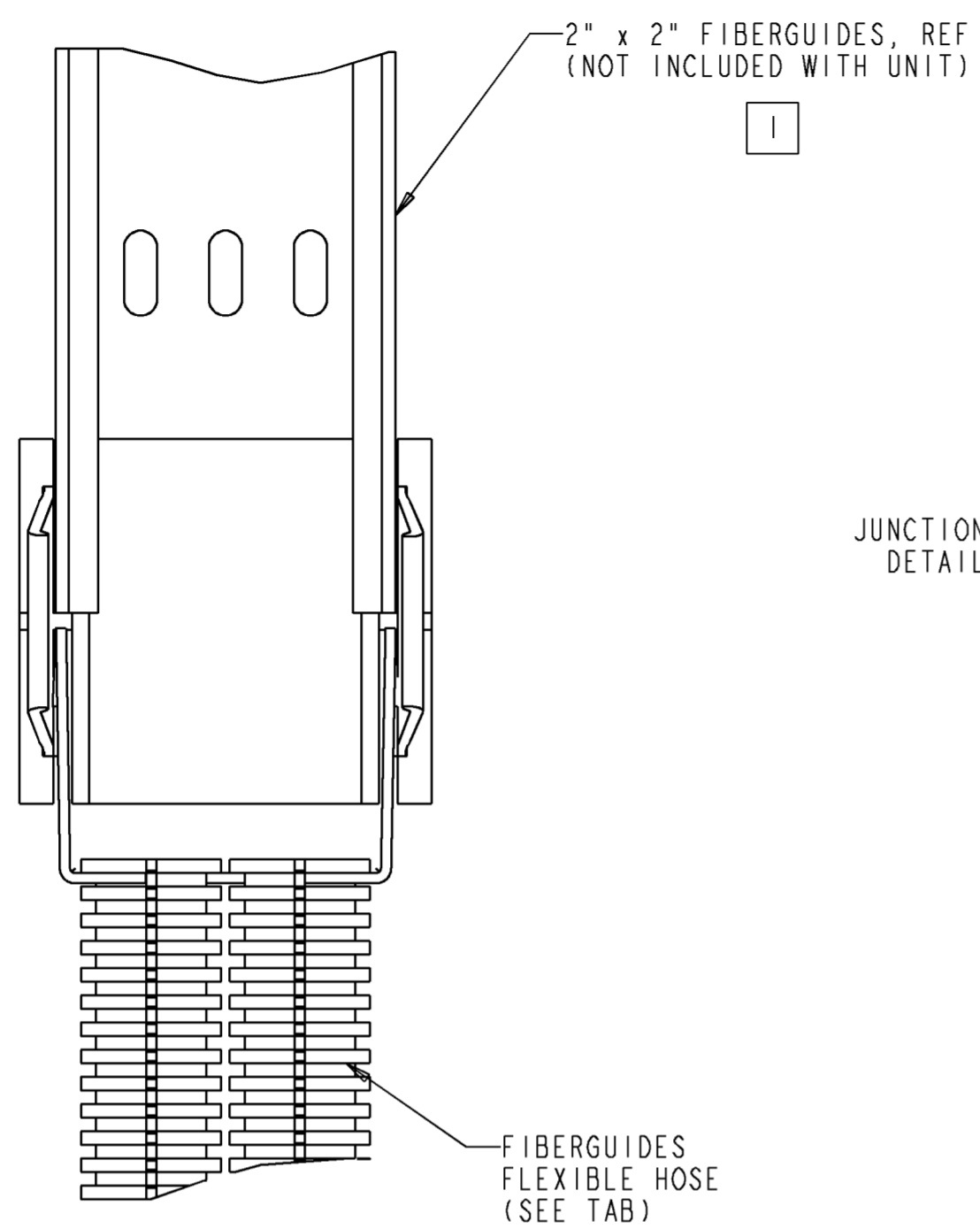


REV	MCO	DWN	DATE
L	20239670	AED	09-MAY-08
M	20263143	JSL	20-APR-09



NOTES:  
 1 ITEMS NOT INCLUDED WITH KIT.

<b>FGSB-KT03-C-15F</b>	BLACK	15 FT	2	A
<b>FGSB-KT03-C-10F</b>	BLACK	10 FT	2	A
<b>FGSB-KT03-C</b>	BLACK	5 FT	2	A
<b>FGSO-KT03-C-10F</b>	ORANGE	10 FT	2	A
<b>FGSO-KT03-C-15F</b>	ORANGE	15 FT	2	A
<b>FGS-KT03-CNH</b>	YELLOW	N/A	NONE	A
<b>FGSO-KT03-C</b>	ORANGE	5 FT	2	A
<b>FGS-KT03-C</b>	YELLOW	5 FT	2	A
<b>FGS-KT03-C-10F</b>	YELLOW	10 FT	2	A
<b>FGS-KT03-C-15F</b>	YELLOW	15 FT	2	A
CATALOG NO.	COLOR	HOSE LENGTH	# OF HOSES IN KIT	REV



INFORMATION ON THIS DOCUMENT IS PROPRIETARY TO ADC AND SHALL NOT BE USED, COPIED, REPRODUCED OR DISCLOSED IN WHOLE OR IN PART WITHOUT WRITTEN CONSENT OF ADC.		TITLE FIBERGUIDE 2" X 2" HOSE ADAPTER (INST DWG)	
ALL DIMS AND TOLERANCES ARE INCHES UNLESS OTHERWISE SPECIFIED .XX:±N/A .XXX:±N/A ANGULAR:±N/A	C SIZE	DRAWING NUMBER 4-29000-3211	M REV
DO NOT SCALE DRAWING		ENGR: R. HENNEBERGER DWN: T. REDMANN	SHT. 1 OF 1

DIMENSIONS IN INCHES  
 THIRD ANGLE PROJECTION