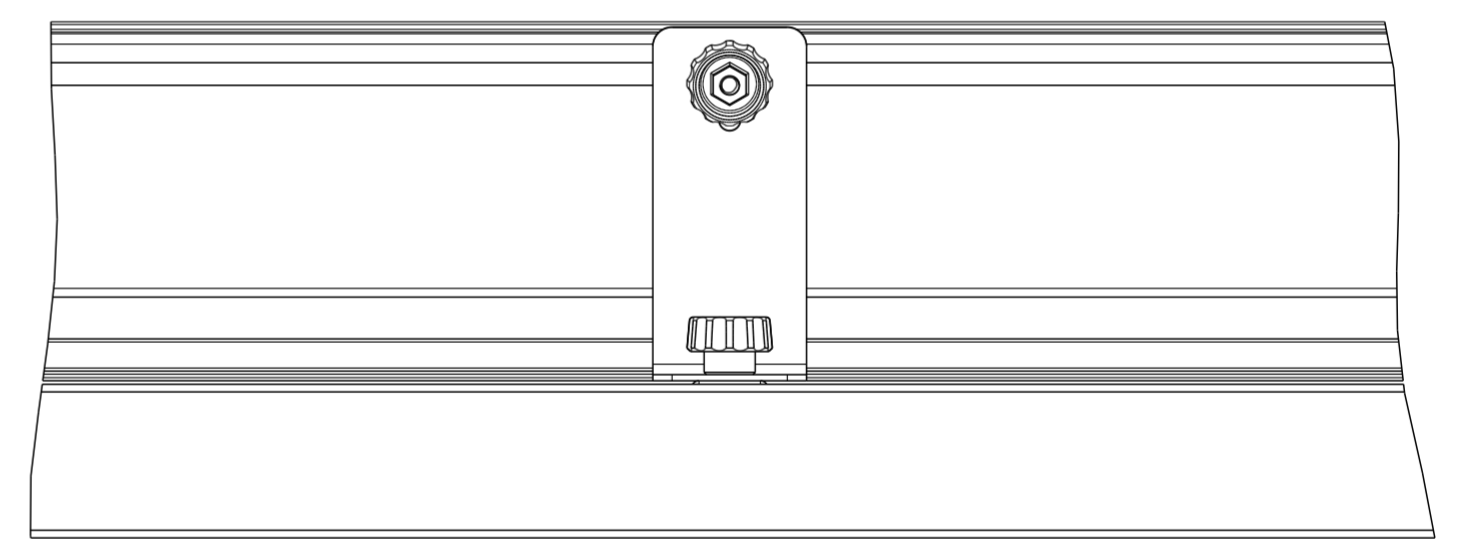
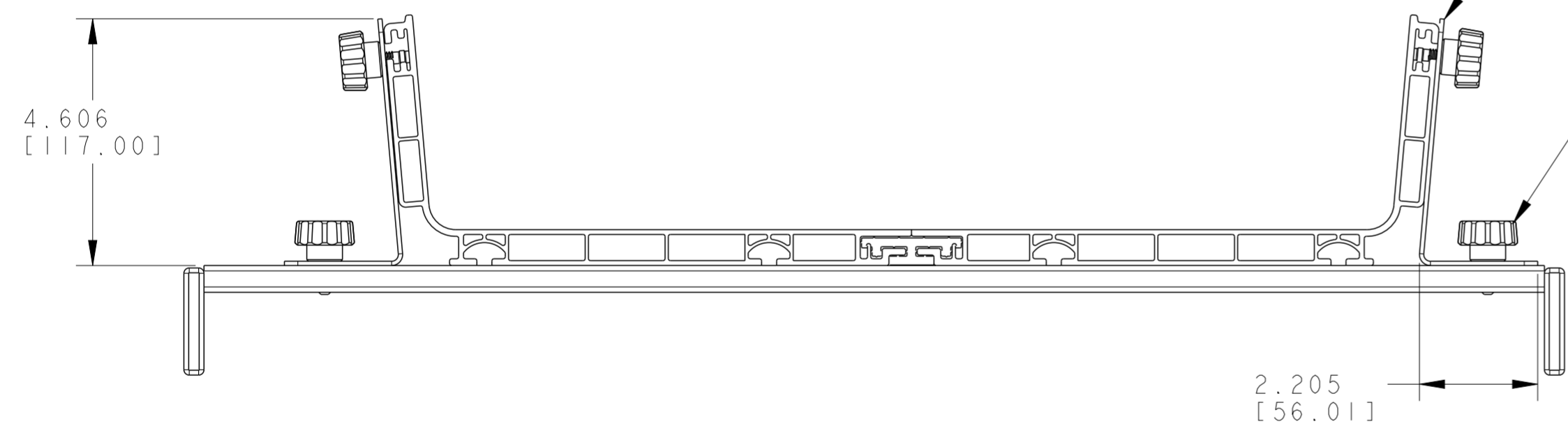
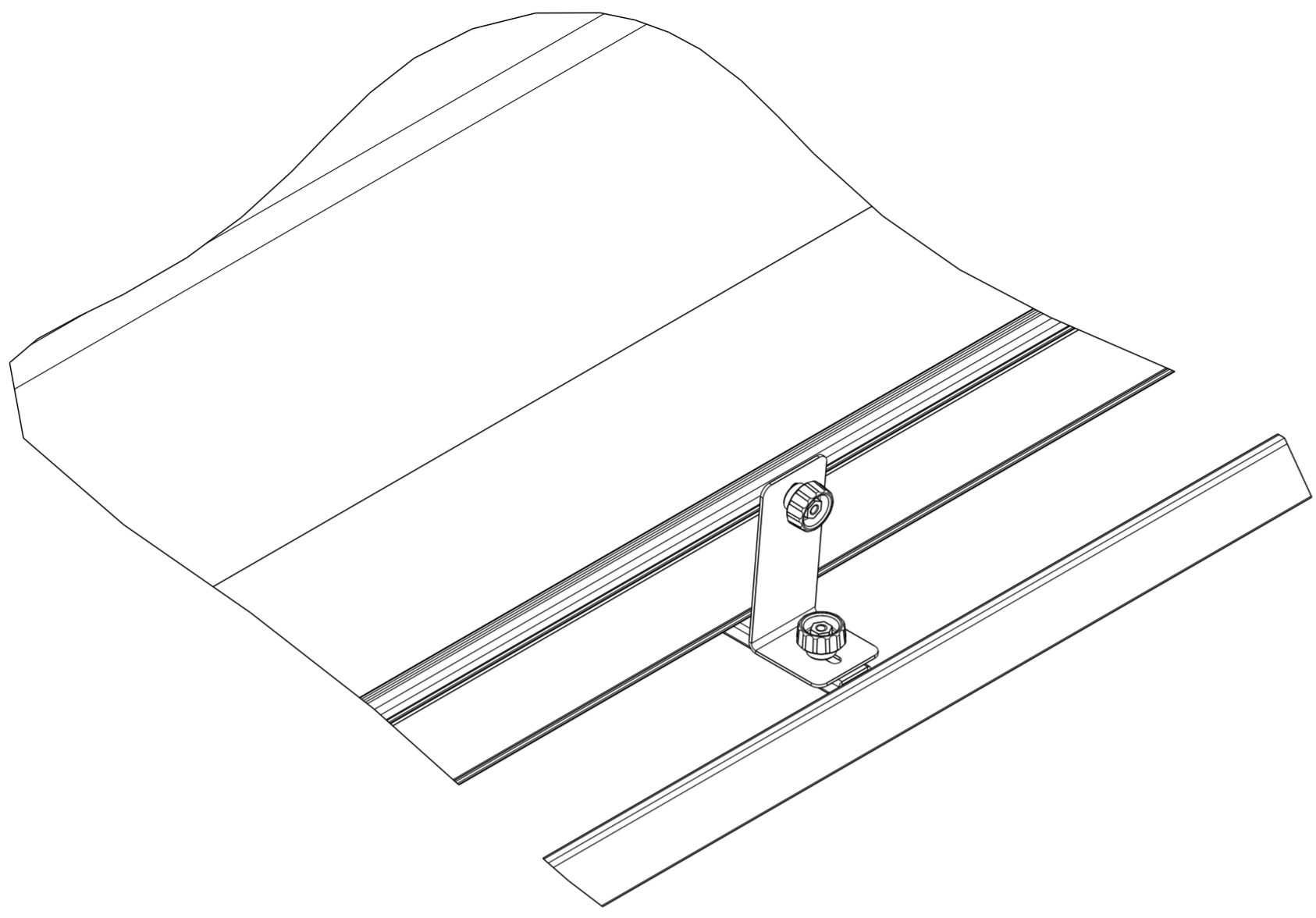


REVISIONS			
REV	CMO	DATE	APPROVED
A	40071175CMO	18-MAY-18	RAT



- NOTES:**
- KIT INCLUDES THE FOLLOWING:
 - (4) "L" BRACKET
 - (8) QUICK KNOB ASSEMBLY

COMMSCOPE, INC.			
DRAFTER RUBEN ARVILLA		TITLE INSTT DWG L ANGLE BRCKT,	
ENGINEER RUBEN ARVILLA		SIZE A2	SCALE 3/80
		DOCUMENT NO. 660002588	
		CUSTOMER DRAWING	
		REVISION A	SHEET 1 OF 1