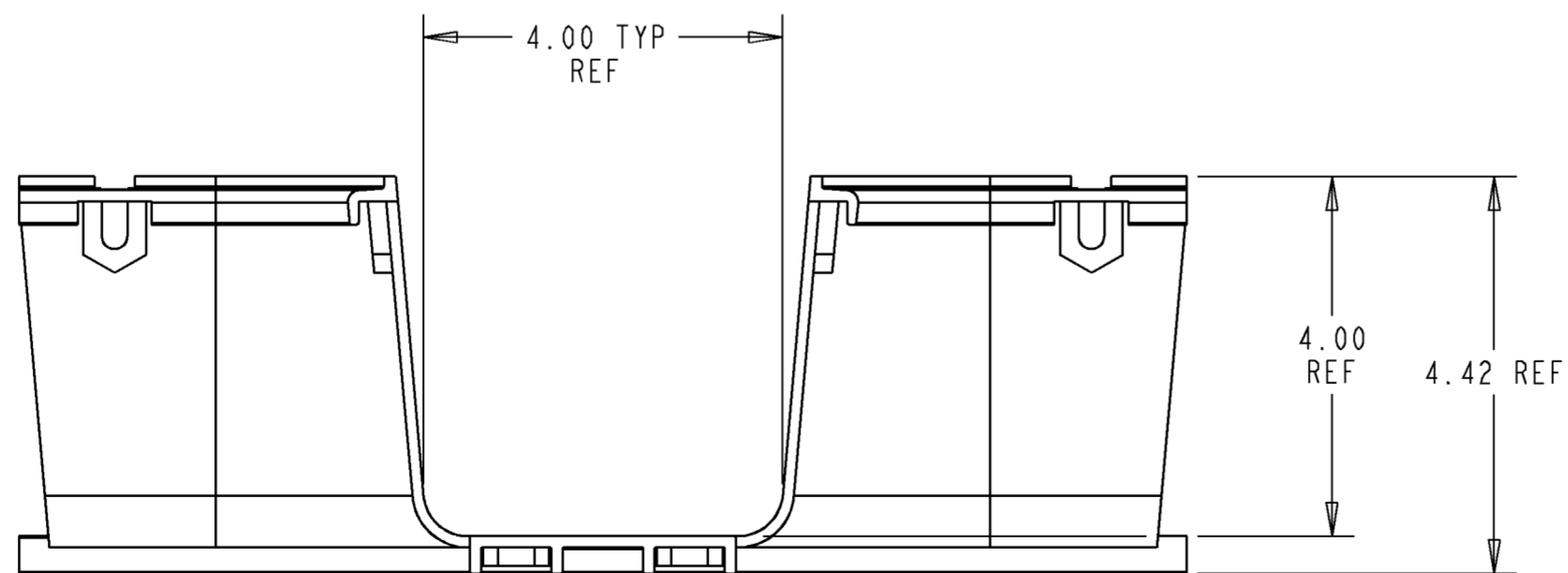
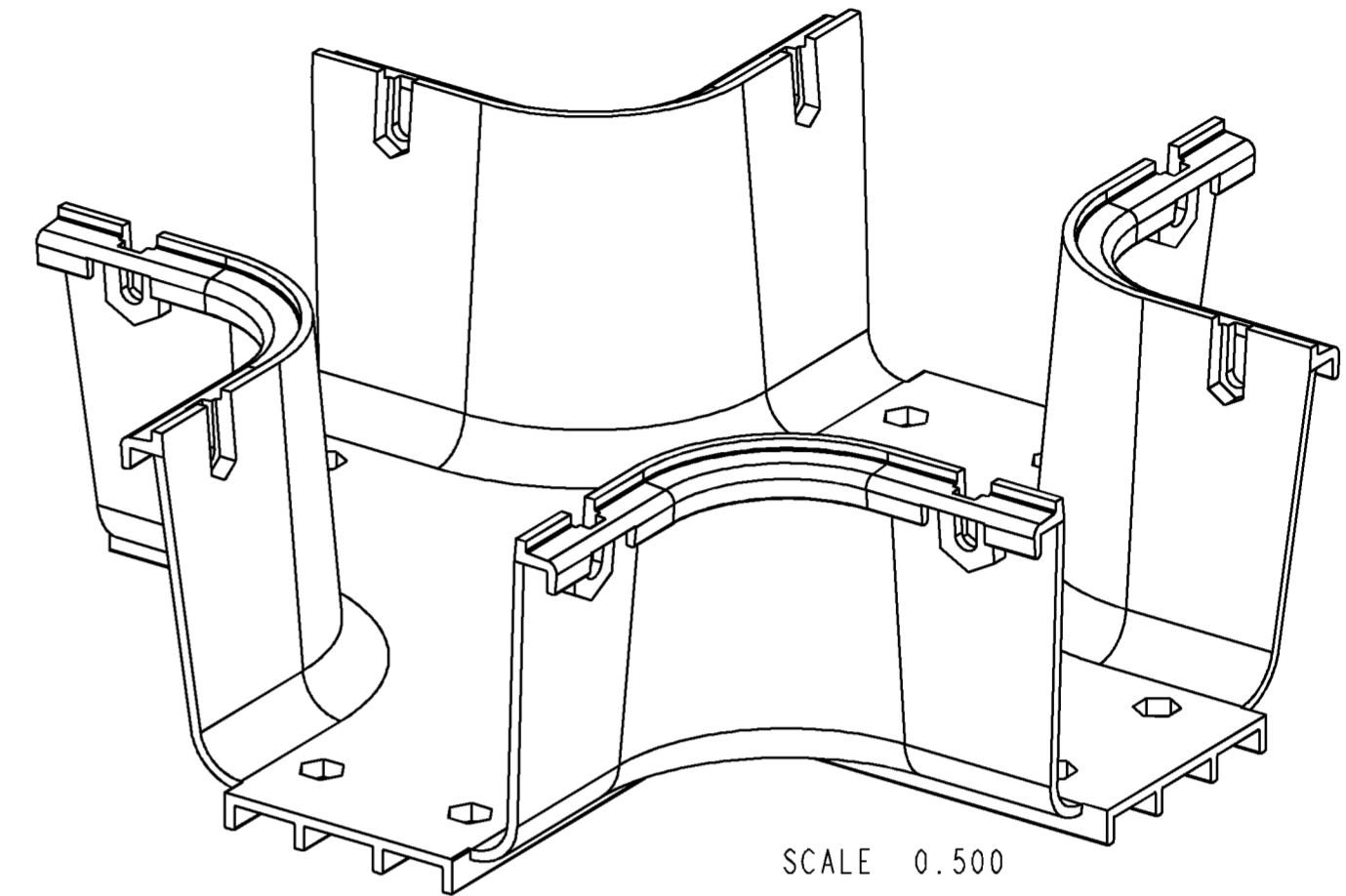
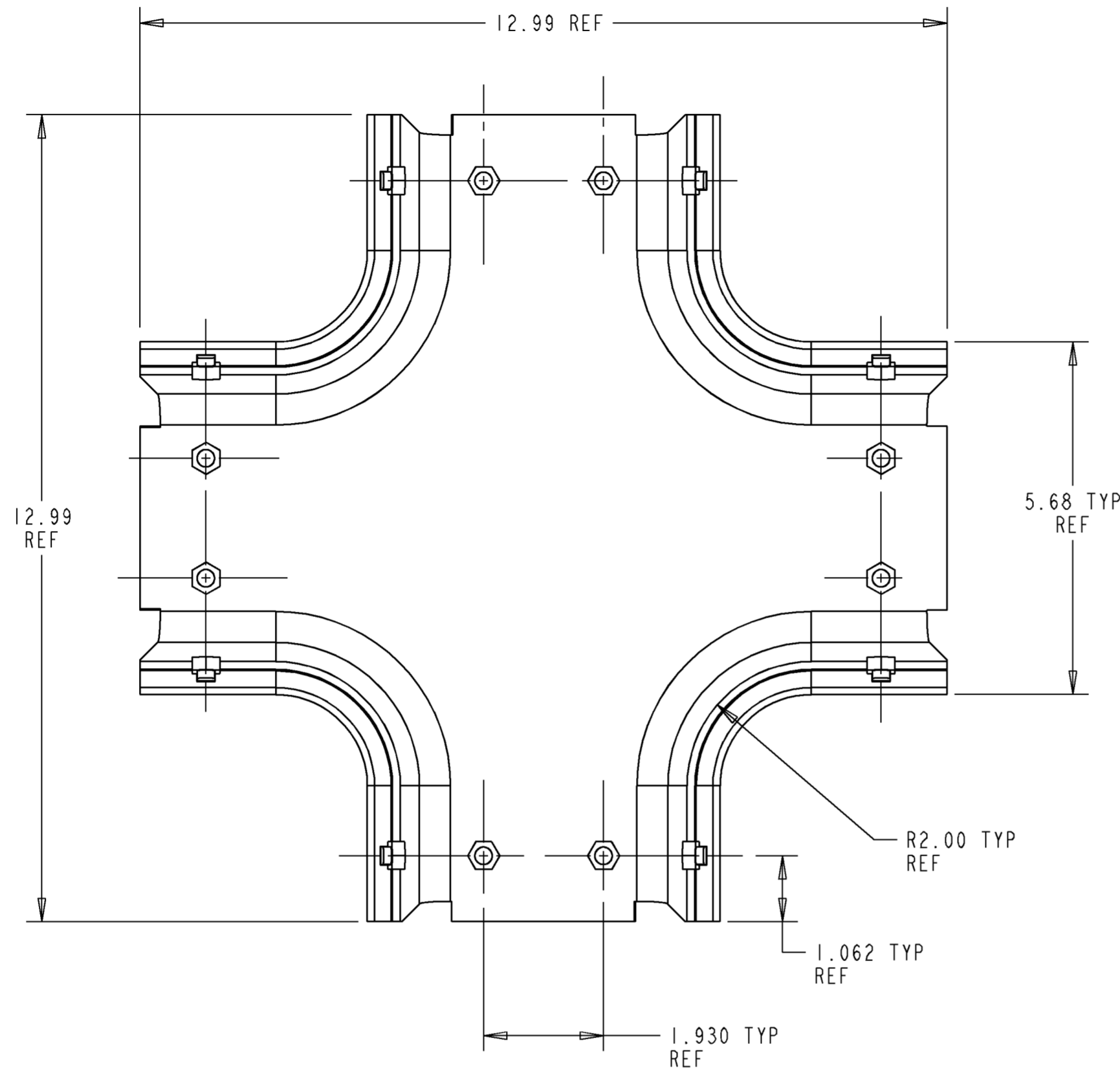


REV	MCO	DWN	DATE
A	20000132	TH	6-23-97
B	20237120	AED	03-APR-08



NOTES:

- MATERIAL IS SELF EXTINGUISHING WITH A UL 94 RATING OF V-0.

CATALOG NO.	COLOR
FGSB-MHXP-A	BLACK
FGS-MHXP-A	YELLOW
FGSO-MHXP-A	ORANGE



INFORMATION ON THIS DOCUMENT IS PROPRIETARY TO ADC AND SHALL NOT BE USED, COPIED, REPRODUCED OR DISCLOSED IN WHOLE OR IN PART WITHOUT WRITTEN CONSENT OF ADC.		TITLE CROSS, HORIZ, 4X4 INSTALLATION DWG	
ALL DIMS AND TOLERANCES ARE INCHES UNLESS OTHERWISE SPECIFIED	.XX:±N/A .XXX:±N/A ANGULAR:±N/A	C SIZE	DRAWING NUMBER 4-40001-5180
DO NOT SCALE DRAWING	ENGR: ED SANSONE DWN: ED SANSONE	SHT. 1 OF 1	

DIMENSIONS IN INCHES
THIRD ANGLE PROJECTION