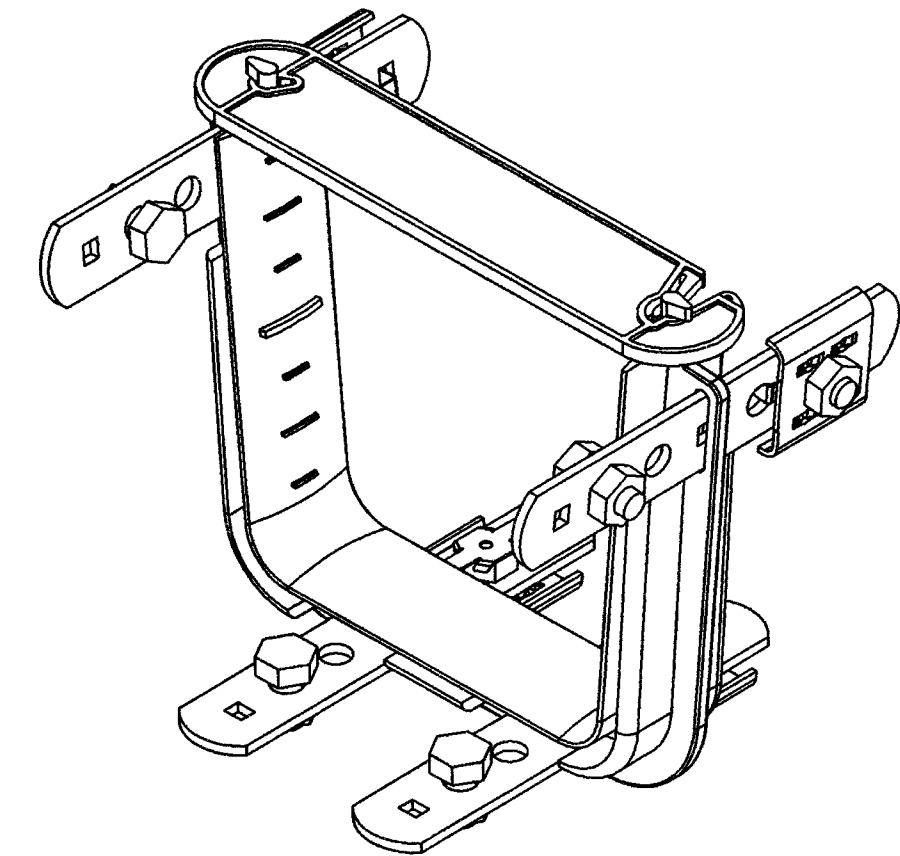
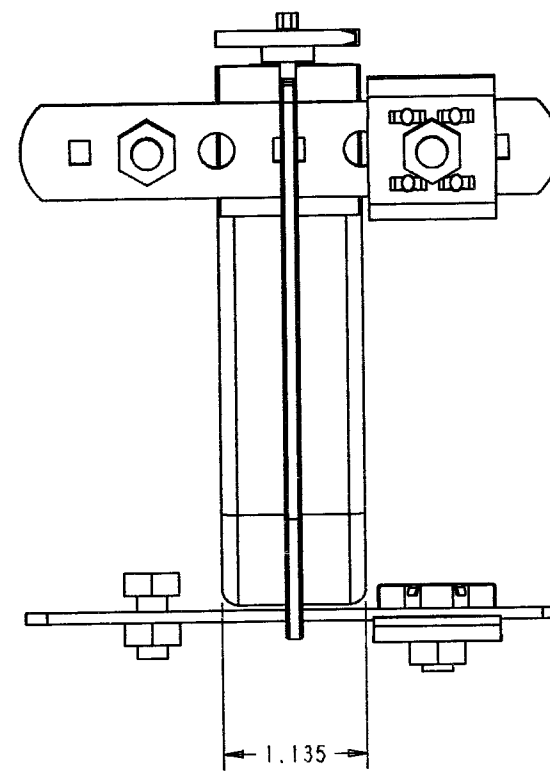
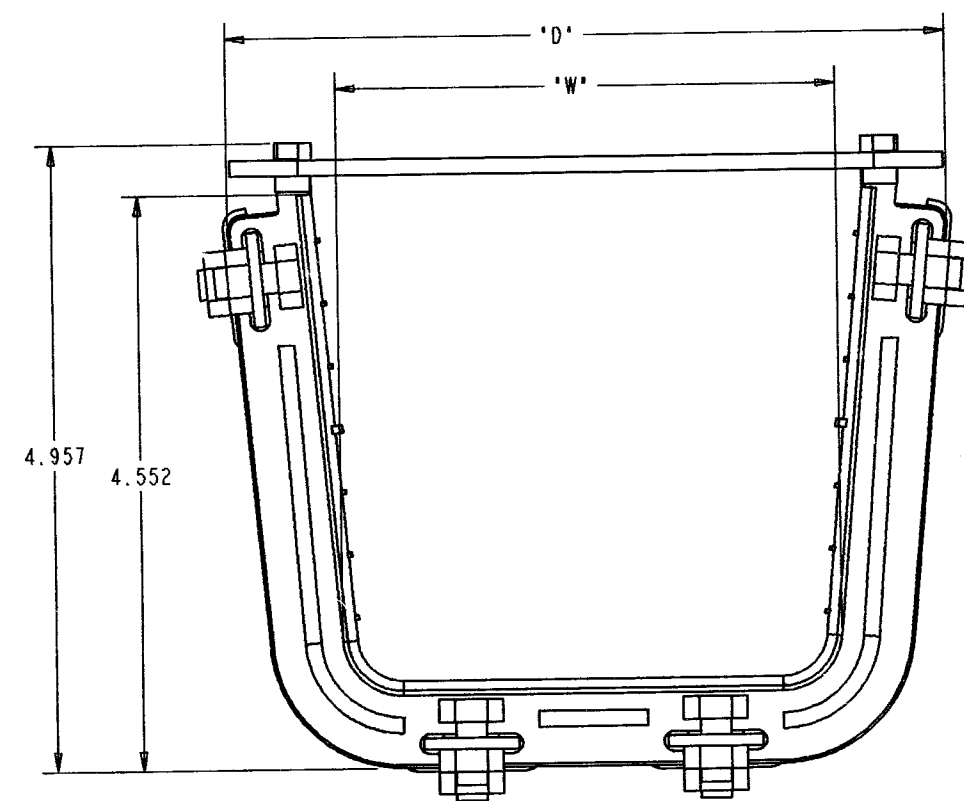
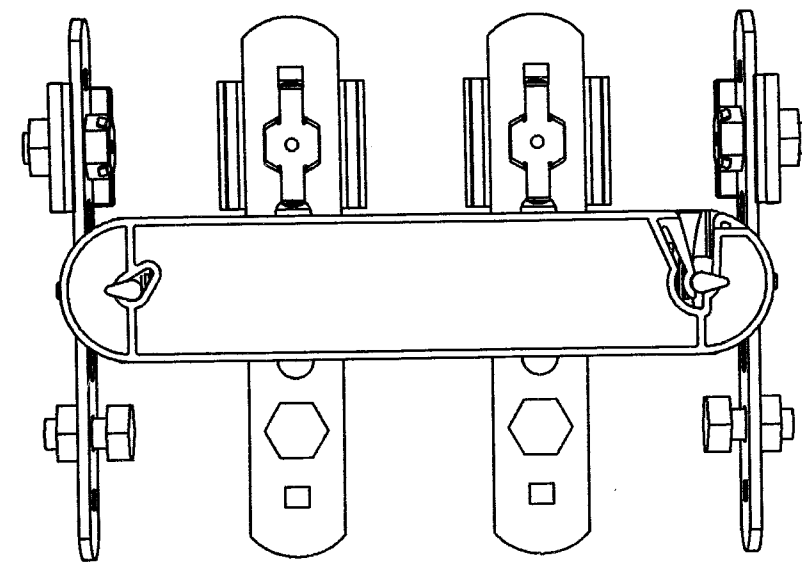


REV	MCO	DWN	DATE
C	20237120	AED	08-APR-08
D	20273892	RRM	30-SEP-09



FGSB-MJWR-A	BLACK	1	5.670	4.000
FGSP-MJWR-B-25	PUTTY	25	7.670	6.000
FGSO-MJWR-B-25	ORANGE			
FGS-MJWR-B-25	YELLOW			
FGSP-MJWR-A-25	PUTTY	25	5.670	4.000
FGSO-MJWR-A-25	ORANGE			
FGS-MJWR-A-25	YELLOW			
FGSP-MJWR-B-10	PUTTY	10	7.670	6.000
FGSO-MJWR-B-10	ORANGE			
FGS-MJWR-B-10	YELLOW			
FGSP-MJWR-A-10	PUTTY	10	5.670	4.000
FGSO-MJWR-A-10	ORANGE			
FGS-MJWR-A-10	YELLOW			
FGSP-MJWR-B	PUTTY	1	7.670	6.000
FGSO-MJWR-B	ORANGE			
FGS-MJWR-B	YELLOW			
FGSB-MJWR-B	BLACK	1	5.670	1.000
FGSP-MJWR-A	PUTTY			
FGSO-MJWR-A	ORANGE			
FGS-MJWR-A	YELLOW			
CATALOG NUMBER	COLOR	NUMBER OF JUNCTION ASSEMBLIES	DIMENSION "D"	DIMENSION "M"

**NOTES:**

- ALL NON-METALIC COMPONENTS OF THIS ASSEMBLY ARE SELF EXTINGUISHING WITH A UL 94 RATING AT V-0



INFORMATION ON THIS DOCUMENT IS PROPRIETARY TO ADC AND SHALL NOT BE USED, COPIED, REPRODUCED OR DISCLOSED IN WHOLE OR IN PART WITHOUT WRITTEN CONSENT OF ADC.

ALL DIMS AND TOLERANCES .XX:±.030 ARE INCHES UNLESS .XXX:±.020 OTHERWISE SPECIFIED ANGULAR:±1°

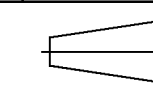
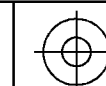
DO NOT SCALE DRAWING

ENGR: R. HENNEBERGER  
DWN: D. CARPENTER

TITLE FIBERGUIDES CONNECTION KIT INSTALLATION DRAWING

DRAWING NUMBER 4-29000-2005

SHT. 1 OF 2



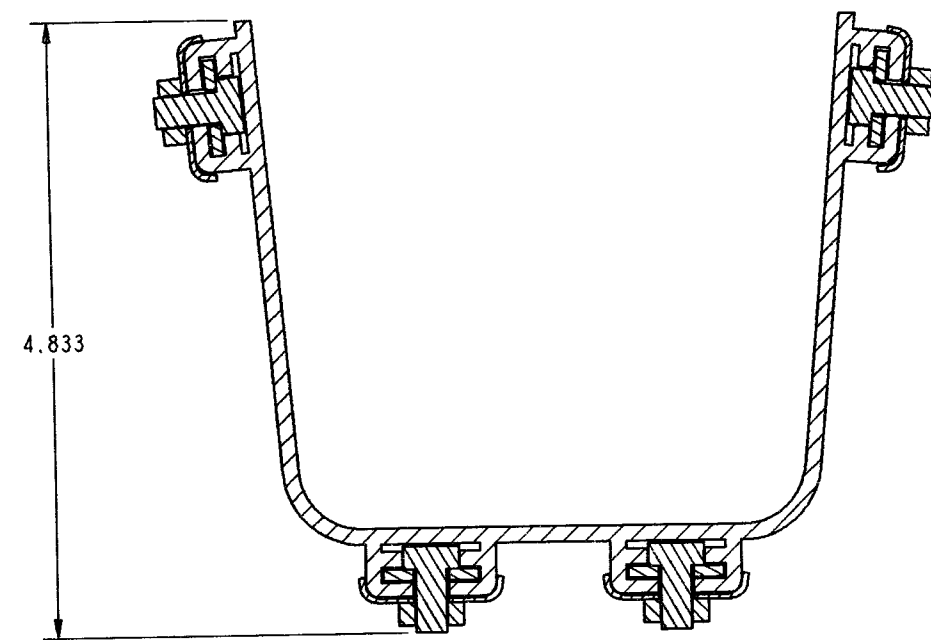
**DIMENSIONS IN INCHES  
THIRD ANGLE PROJECTION**

A

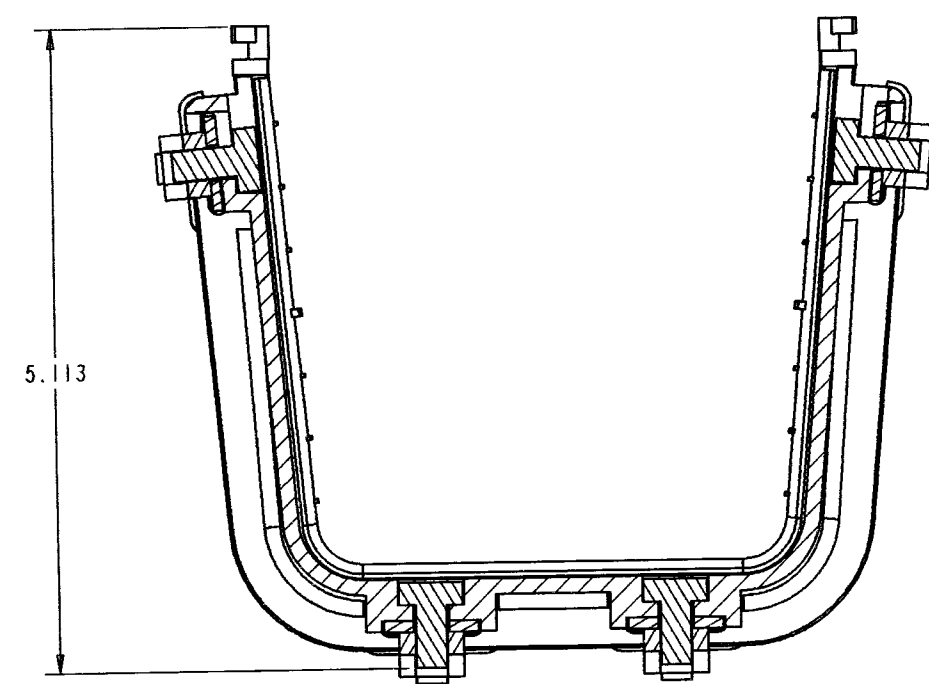
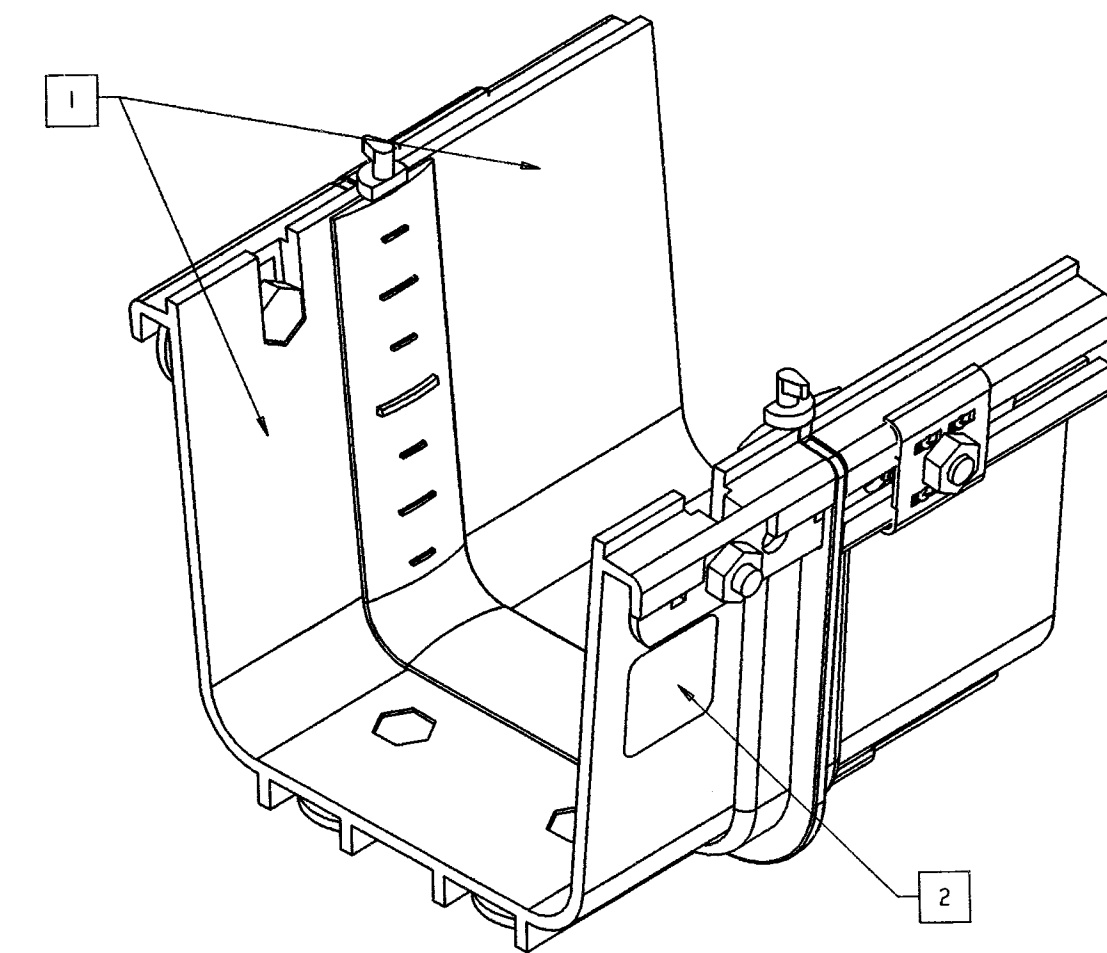
B

C

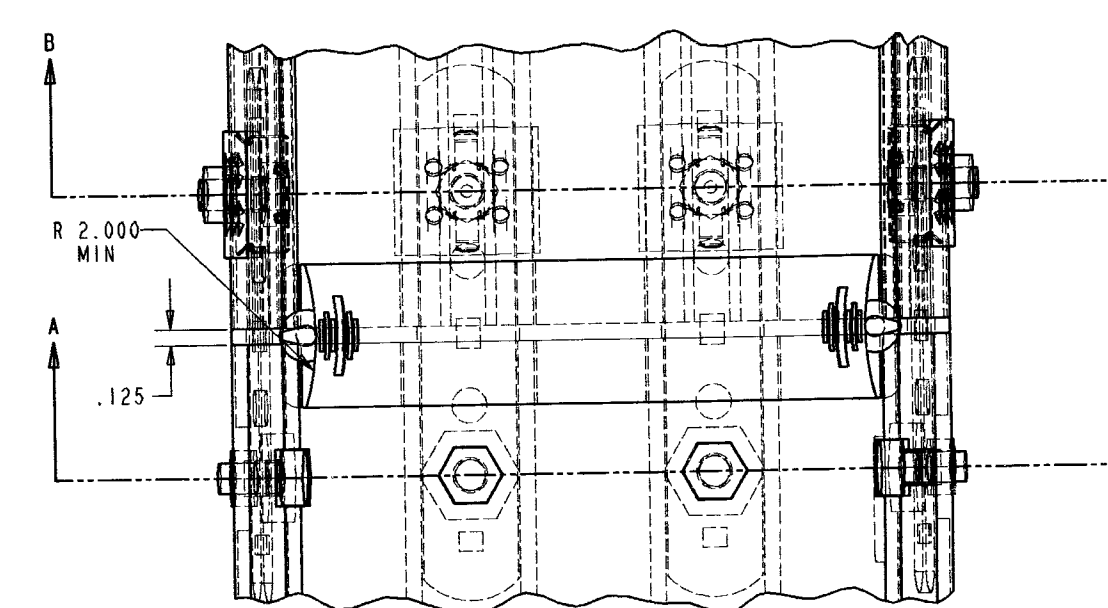
D



**SECTION B-B**  
TYPICAL OF STRAIGHT GUIDE ATTACHMENT



**SECTION A-A**  
TYPICAL OF FITTING ATTACHMENT



**NOTES:**

- 1 NOT INCLUDED IN KIT, SHOWN TO PROVIDE CLARITY OF INSTALLATION
- 2 CAUTION LABELS SHOULD BE ATTACHED ON EXTRUSIONS AND/OR FITTINGS AS CLOSE AS POSSIBLE TO ALL JUNCTIONS WITHOUT SACRIFICING CLARITY.
- 3. VIEWS ARE SHOWN WITHOUT THE RETAINER TO PROVIDE CLARITY

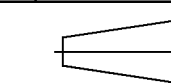


INFORMATION ON THIS DOCUMENT IS PROPRIETARY TO ADC AND SHALL NOT BE USED, COPIED, REPRODUCED OR DISCLOSED IN WHOLE OR IN PART WITHOUT WRITTEN CONSENT OF ADC.		TITLE FIBERGUIDES CONNECTION KIT INSTALLATION DRAWING	
ALL DIMS AND TOLERANCES ARE INCHES UNLESS OTHERWISE SPECIFIED	.XX:±.030 .XXX:±.020 ANGULAR:±1°	C SIZE	DRAWING NUMBER 4-29000-2005
DO NOT SCALE DRAWING	ENGR: R. HENNEBERGER DWN: D. CARPENTER	SHT. 2 OF 2	

A

B

C



**DIMENSIONS IN INCHES  
THIRD ANGLE PROJECTION**