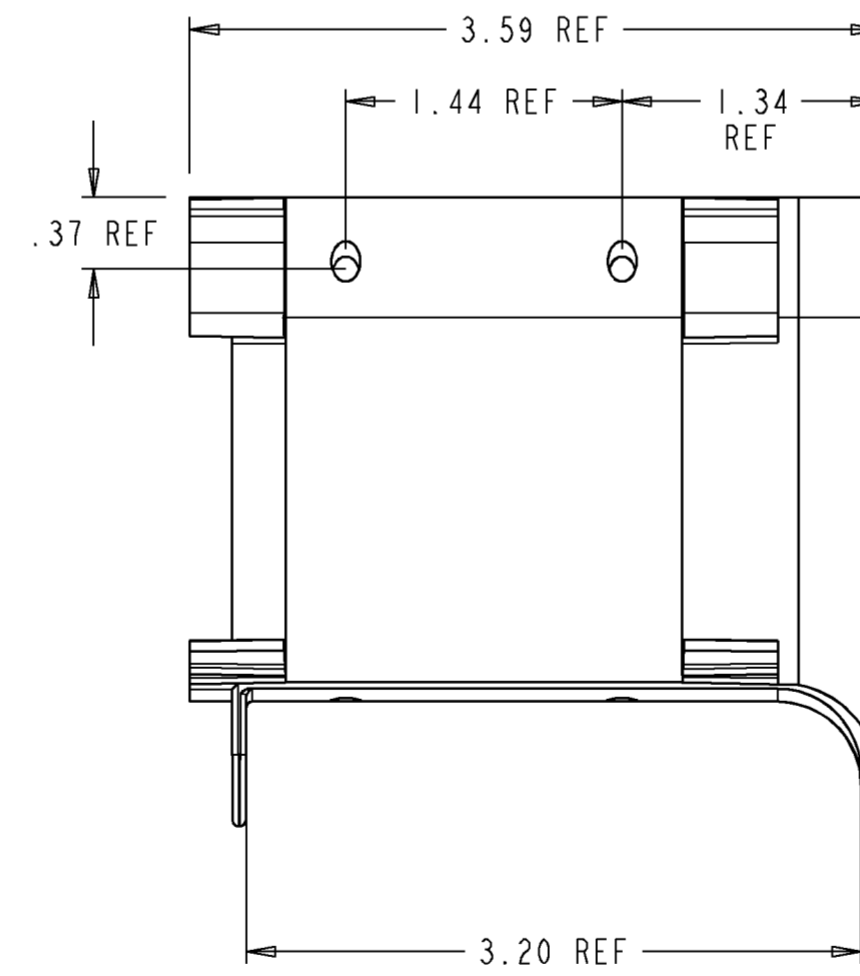
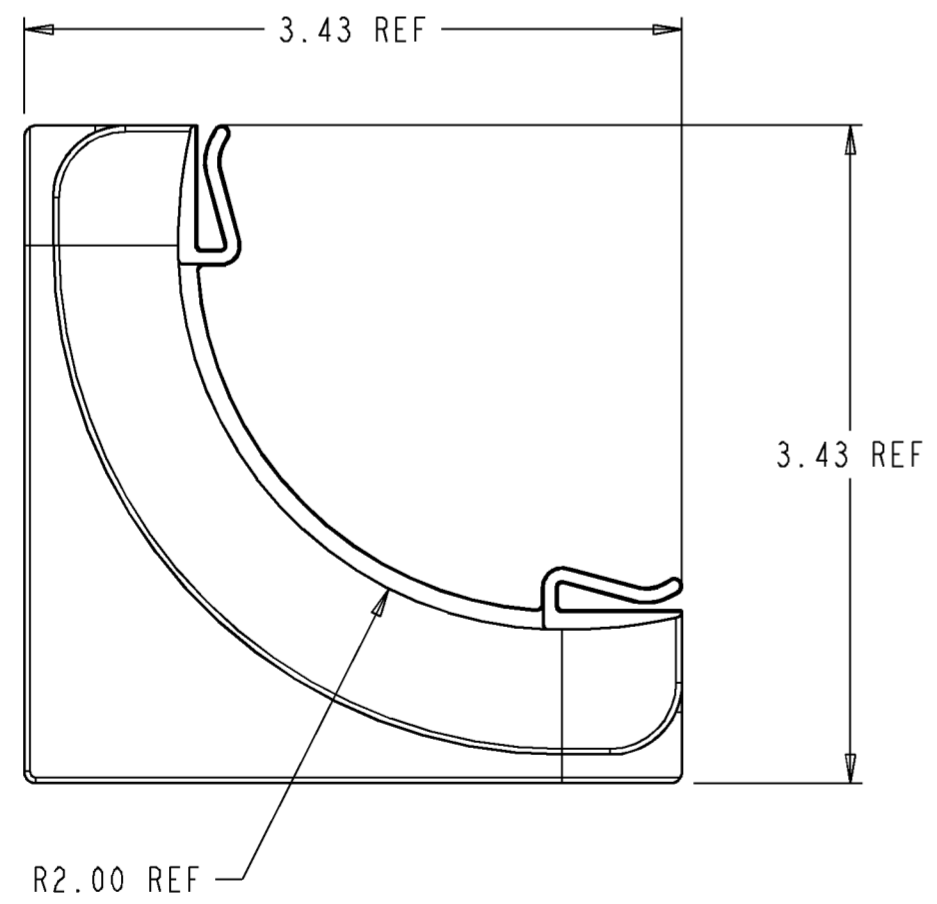
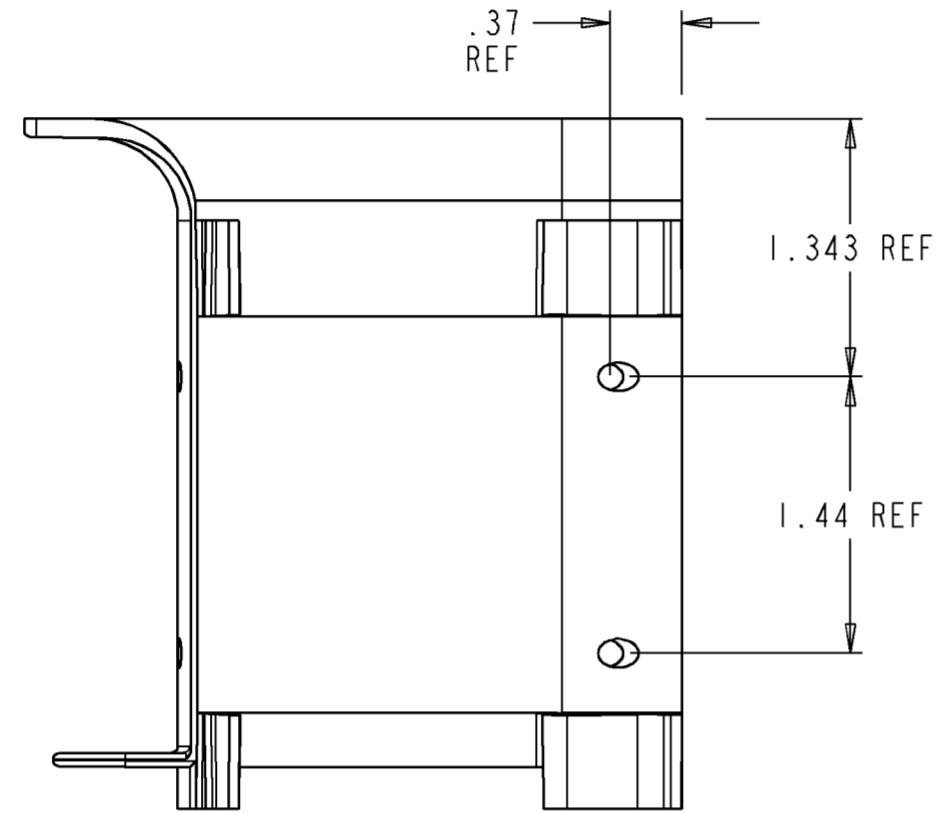
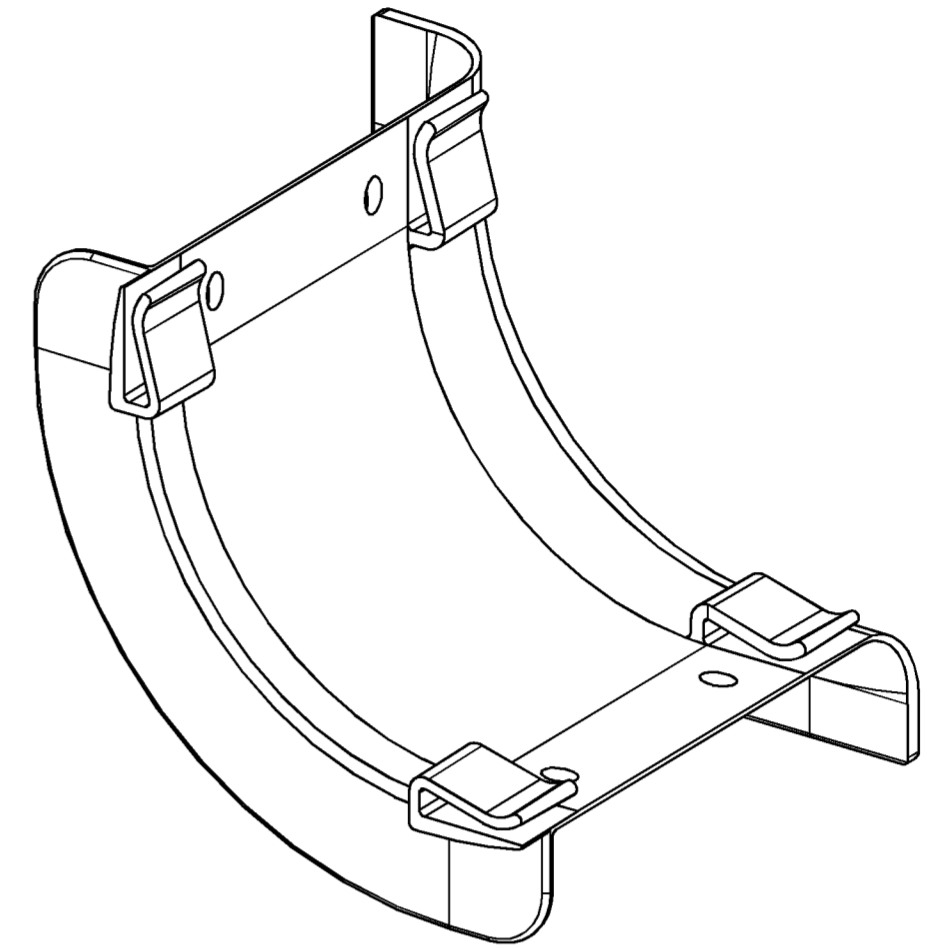


REV	MCO	DWN	DATE
B	20266894	JBC	10-JUN-09
C	20293873	EEG	04-OCT-10

LIST OF PARTS IN KIT		
ITEM	DESCRIPTION	QTY
001	ELBOW, 90° INSIDE, 2" RADIUS	1
002	SCREW, #6-32 X .375	4
003	WASHER, FLAT, #6	4
004	NUT, #6-32	4



<b>FGSB-V9E44</b>	BLACK
<b>FGSO-V9E44</b>	ORANGE
<b>FGS-V9E44</b>	YELLOW
<b>CATALOG NUMBER</b>	COLOR

<small>INFORMATION ON THIS DOCUMENT IS PROPRIETARY TO ADC AND SHALL NOT BE USED, COPIED, REPRODUCED OR DISCLOSED IN WHOLE OR IN PART WITHOUT WRITTEN CONSENT OF ADC.</small>	<small>TITLE</small> INSTALLATION DRAWING VERTICAL FGS, 90 DEGREE INSIDE ELBOW, 2" RADIUS	
	<small>ALL DIMS AND TOLERANCES ARE INCHES UNLESS OTHERWISE SPECIFIED</small>	<small>SIZE</small> C <small>DRAWING NUMBER</small> 1439272
<small>DO NOT SCALE DRAWING</small>	<small>ENGR:</small> DEREK SAYRES <small>DWN:</small> DEREK SAYRES	<small>SHT.</small> 1 OF 2



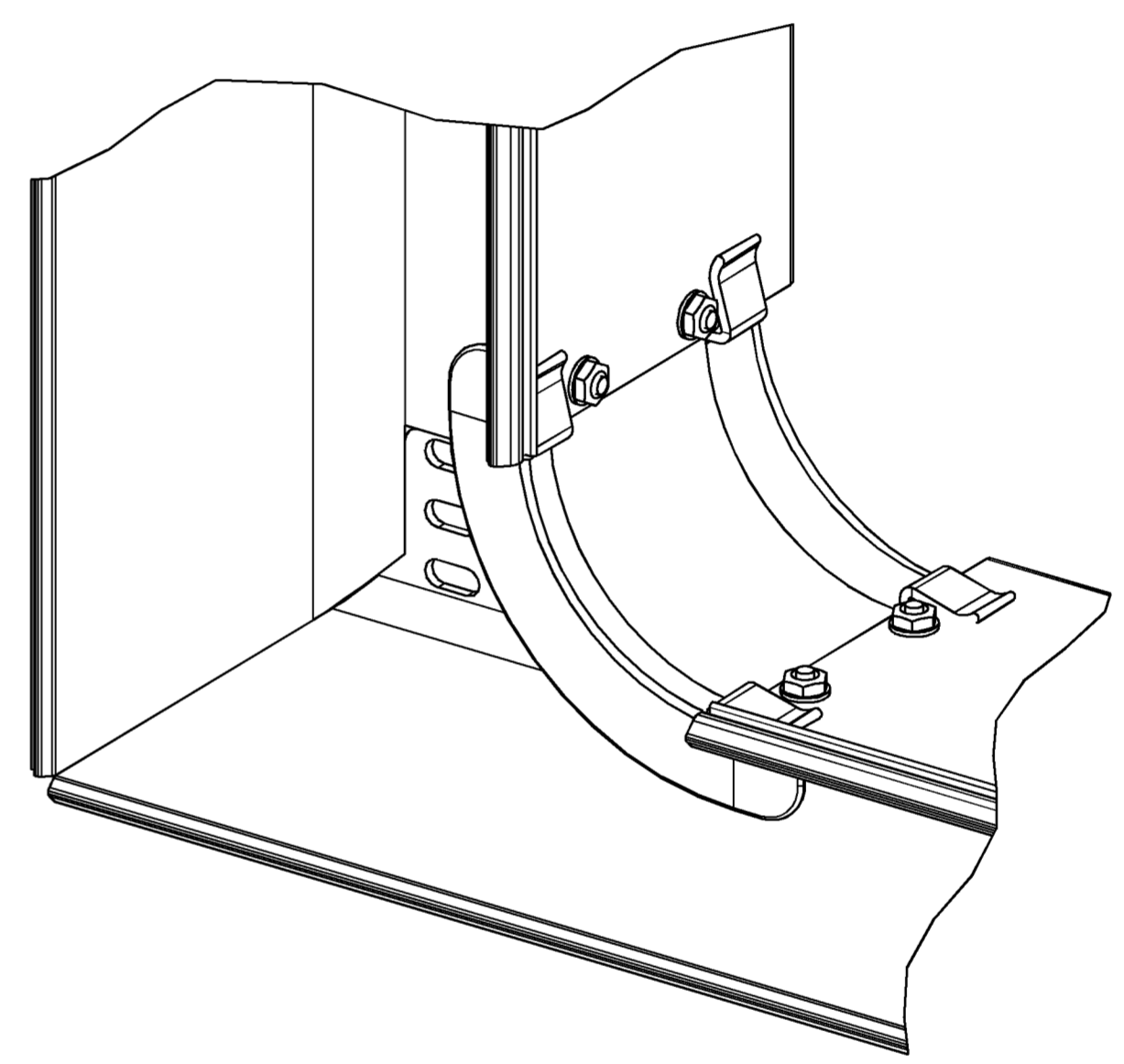
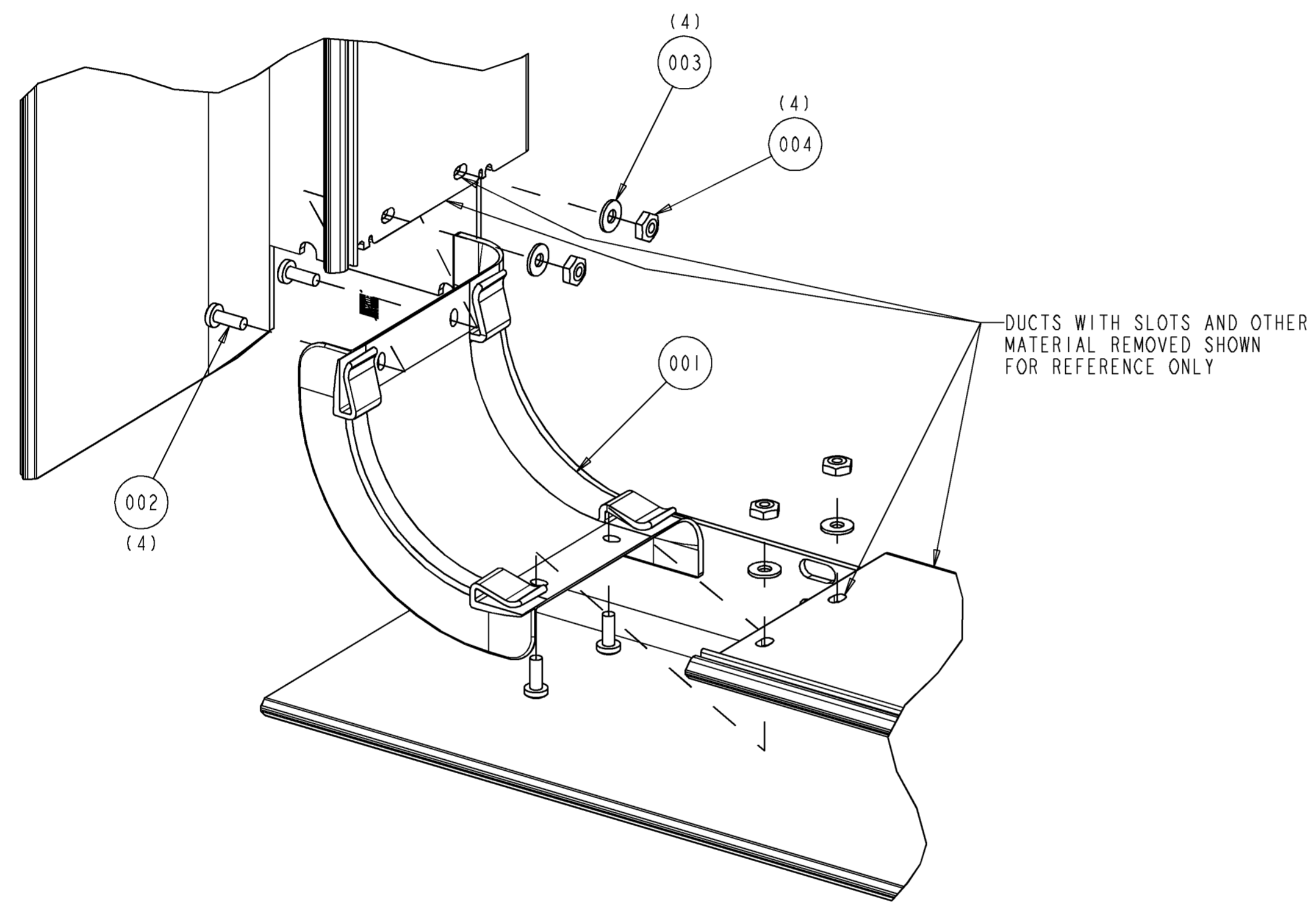
**DIMENSIONS IN INCHES  
THIRD ANGLE PROJECTION**

A

B

C

D



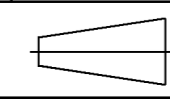
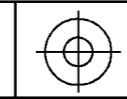
INFORMATION ON THIS DOCUMENT IS PROPRIETARY TO ADC AND SHALL NOT BE USED, COPIED, REPRODUCED OR DISCLOSED IN WHOLE OR IN PART WITHOUT WRITTEN CONSENT OF ADC.

ALL DIMS AND TOLERANCES ARE INCHES UNLESS OTHERWISE SPECIFIED

.XX:±N/A  
.XXX:±N/A  
ANGULAR:±N/A

TITLE INSTALLATION DRAWING  
VERTICAL FGS, 90 DEGREE  
INSIDE ELBOW, 2" RADIUS

DO NOT SCALE DRAWING	ENGR: DEREK SAYRES DWN: DEREK SAYRES	C SIZE	DRAWING NUMBER 1439272	C REV
			SHT. 2 OF 2	



**DIMENSIONS IN INCHES  
THIRD ANGLE PROJECTION**