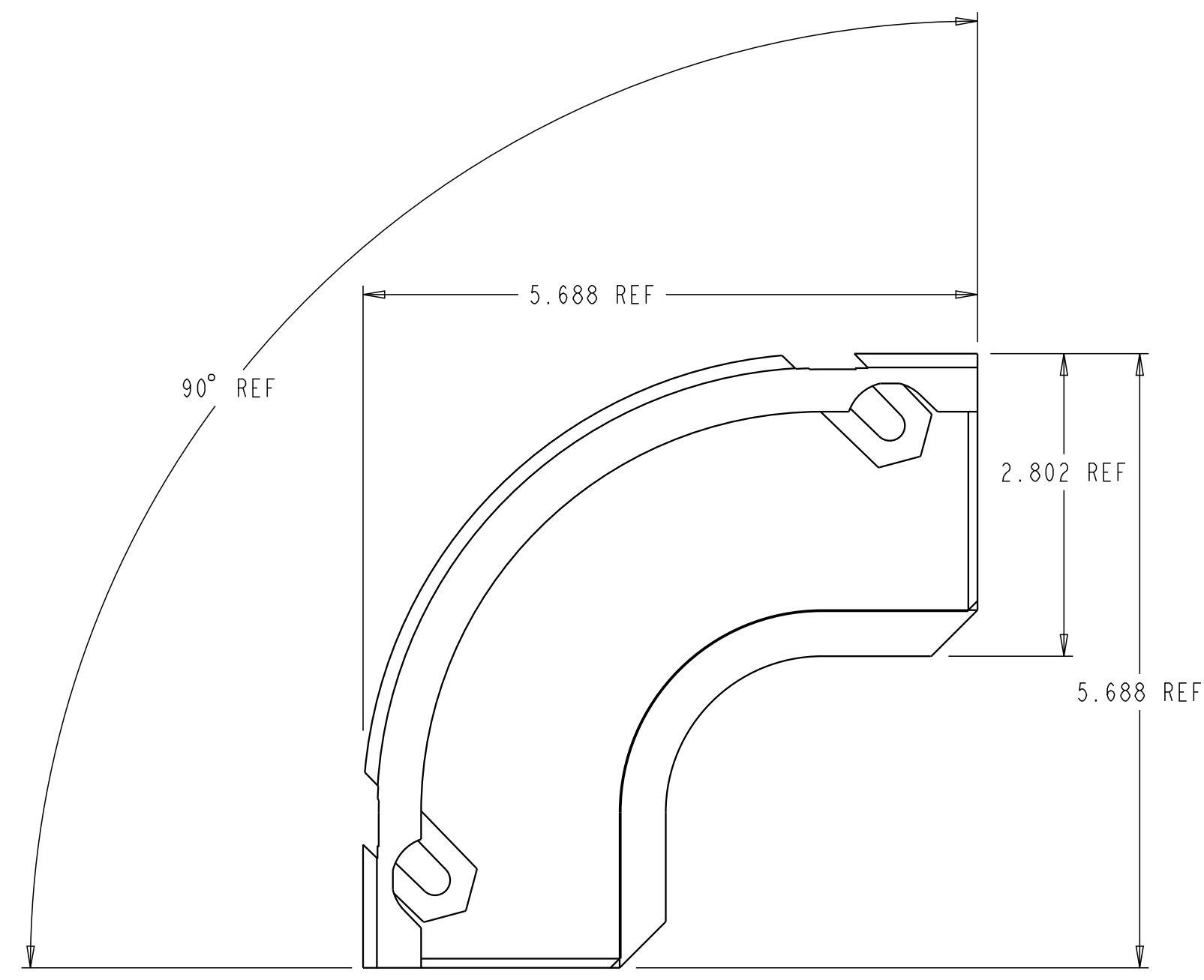
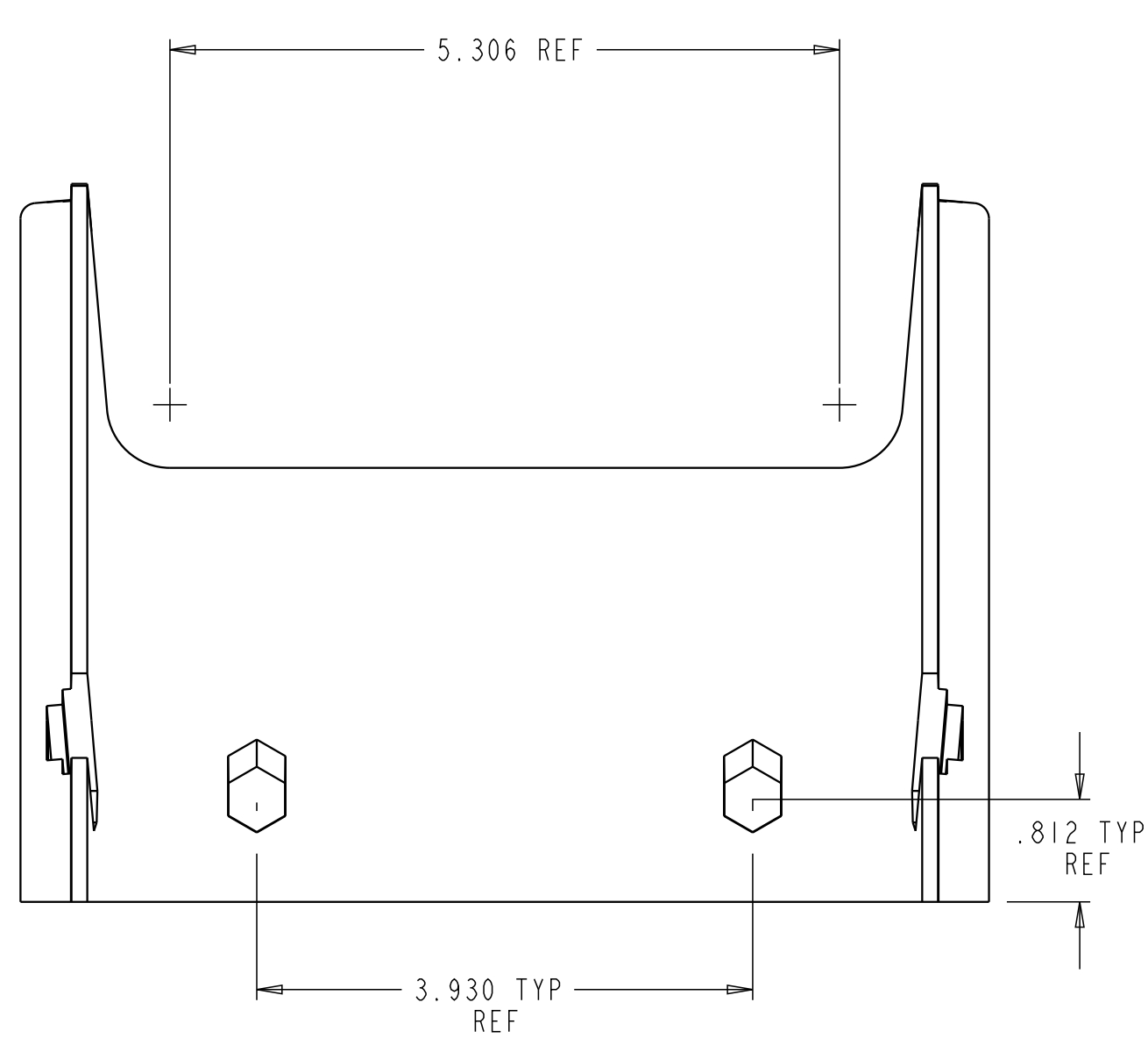
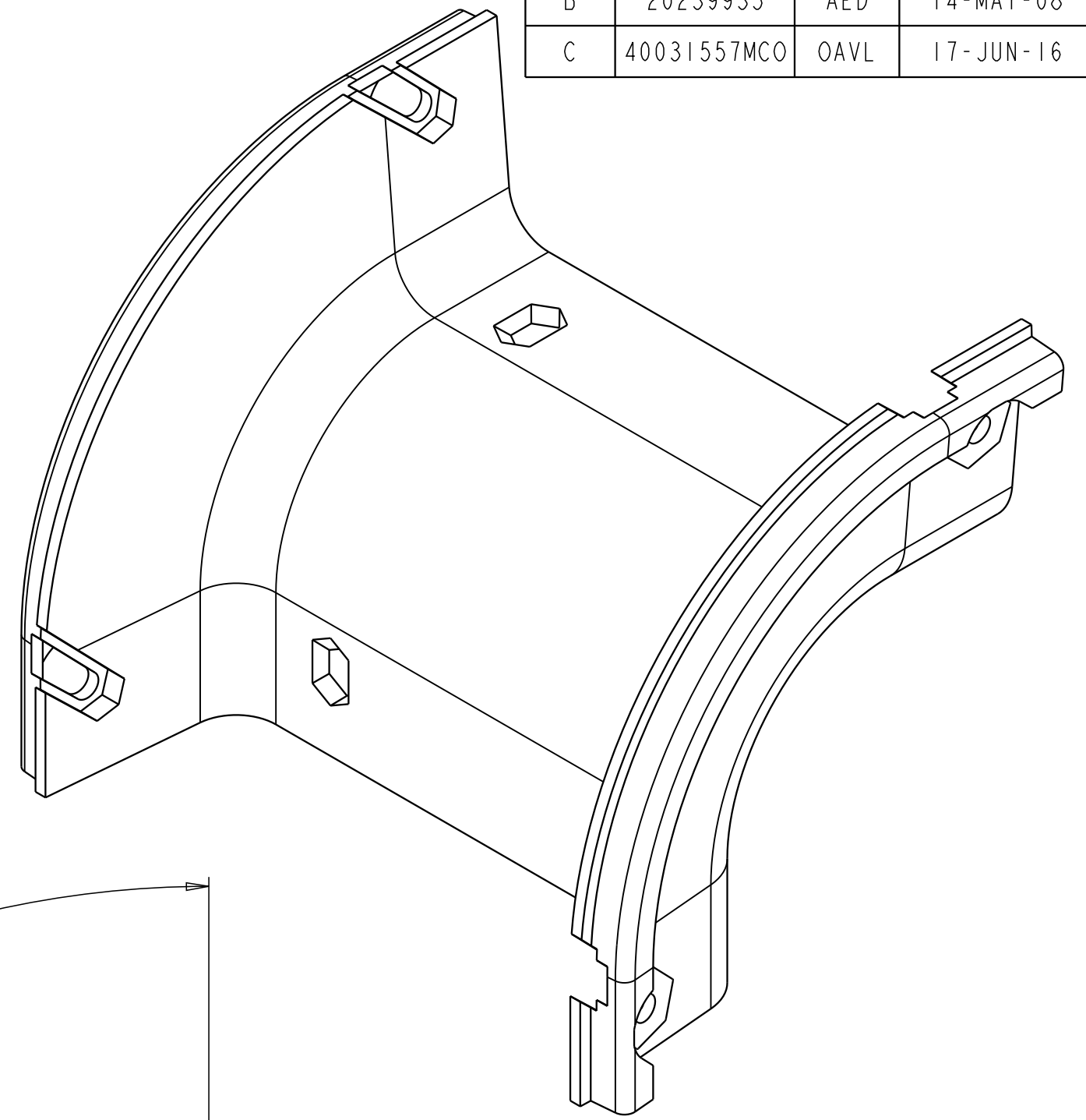


REV	MCO	DWN	DATE
B	20239935	AED	14-MAY-08
C	40031557MCO	OAVL	17-JUN-16



NOTE:

1. MATERIAL IS SELF EXTINGUISHING WITH A UL 94 RATING OF V-0.

FGSB-MD9E-G	BLACK
FGSS-MD9E-G	SMOKE
FGS-MD9E-G	YELLOW
CATALOG NO.	COLOR

COMMSCOPE, INC.

© 2016 COMMSCOPE, INC. CONFIDENTIAL
 NOTICE: THESE DRAWINGS AND SPECIFICATIONS ARE THE PROPRIETARY PROPERTY OF COMMSCOPE, INC. AND MAY BE USED ONLY FOR THE SPECIFIC PURPOSE AUTHORIZED IN WRITING BY COMMSCOPE, INC.

TITLE: INSTALLATION DRAWING
 ELBOW, 90 DOWN, 2X6, FGS

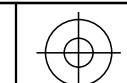
ALL DIMS AND TOLERANCES ARE INCHES UNLESS OTHERWISE SPECIFIED

DRAWING NUMBER: 1189162_ADC

DO NOT SCALE DRAWING

ENGR: MATT FERRIS
 DWN: JASON DANNER

SHT. 1 OF 1



**DIMENSIONS IN INCHES
 THIRD ANGLE PROJECTION**