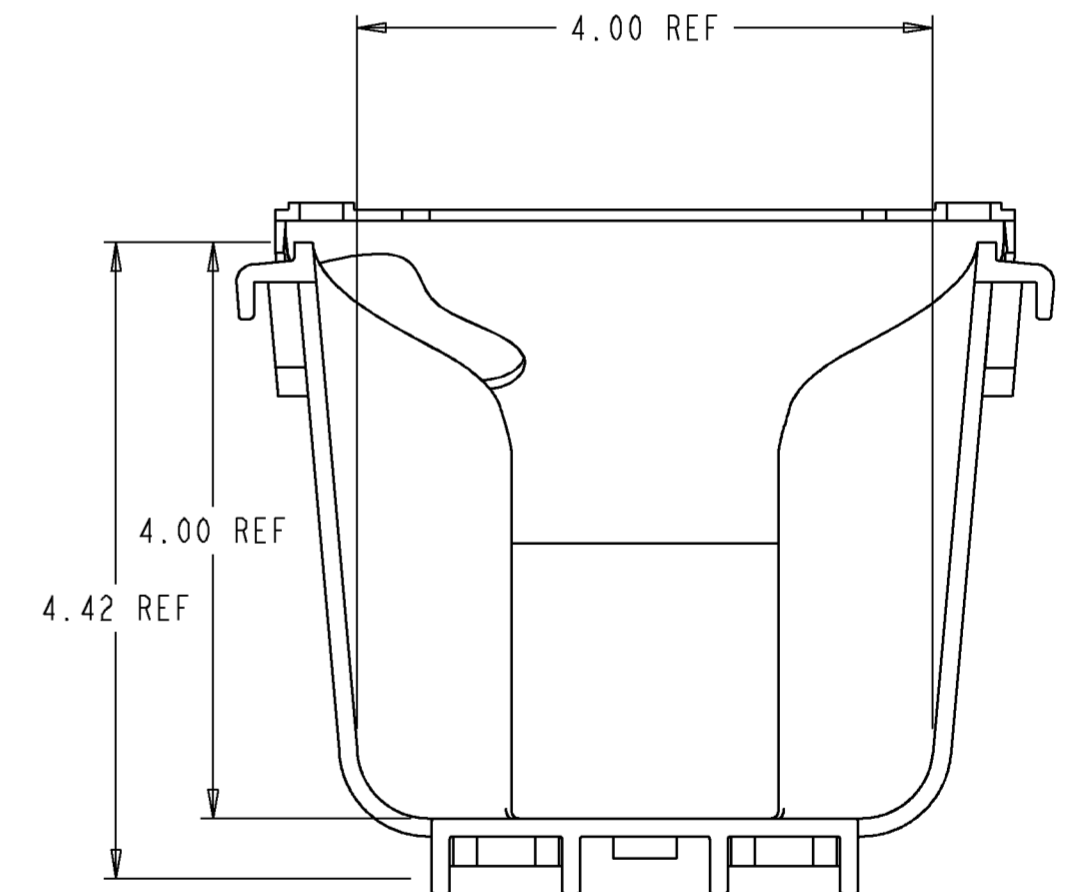
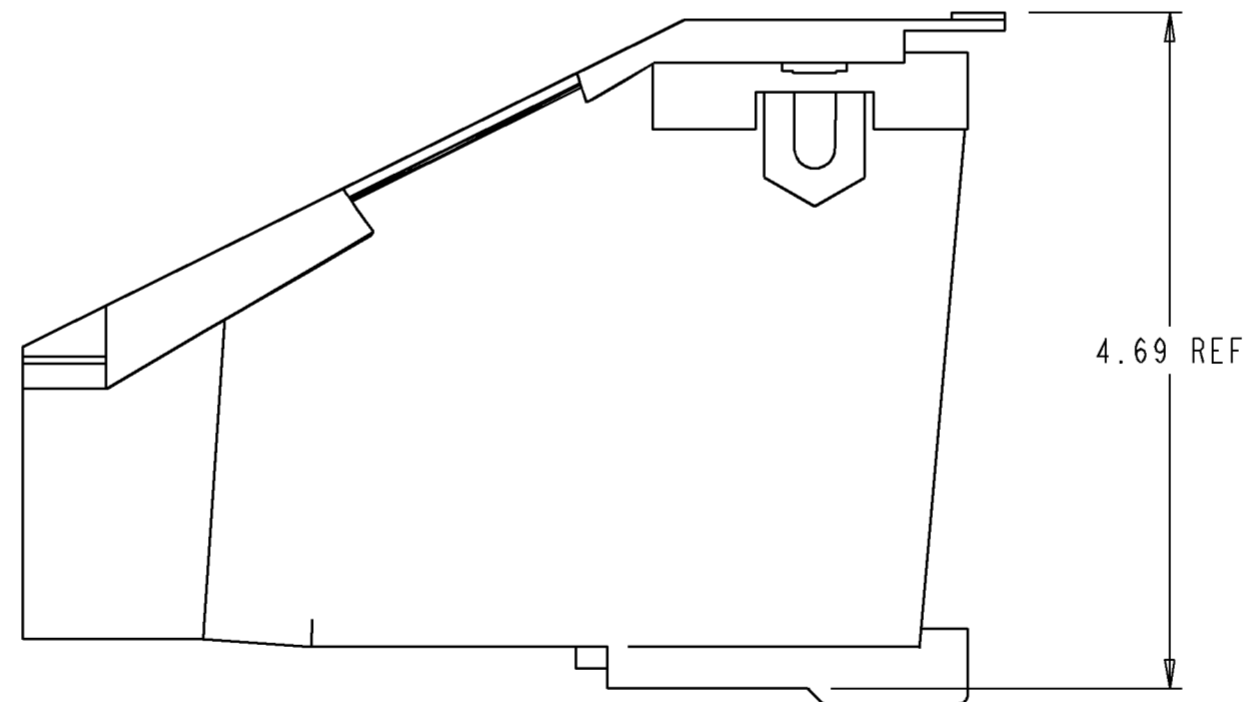
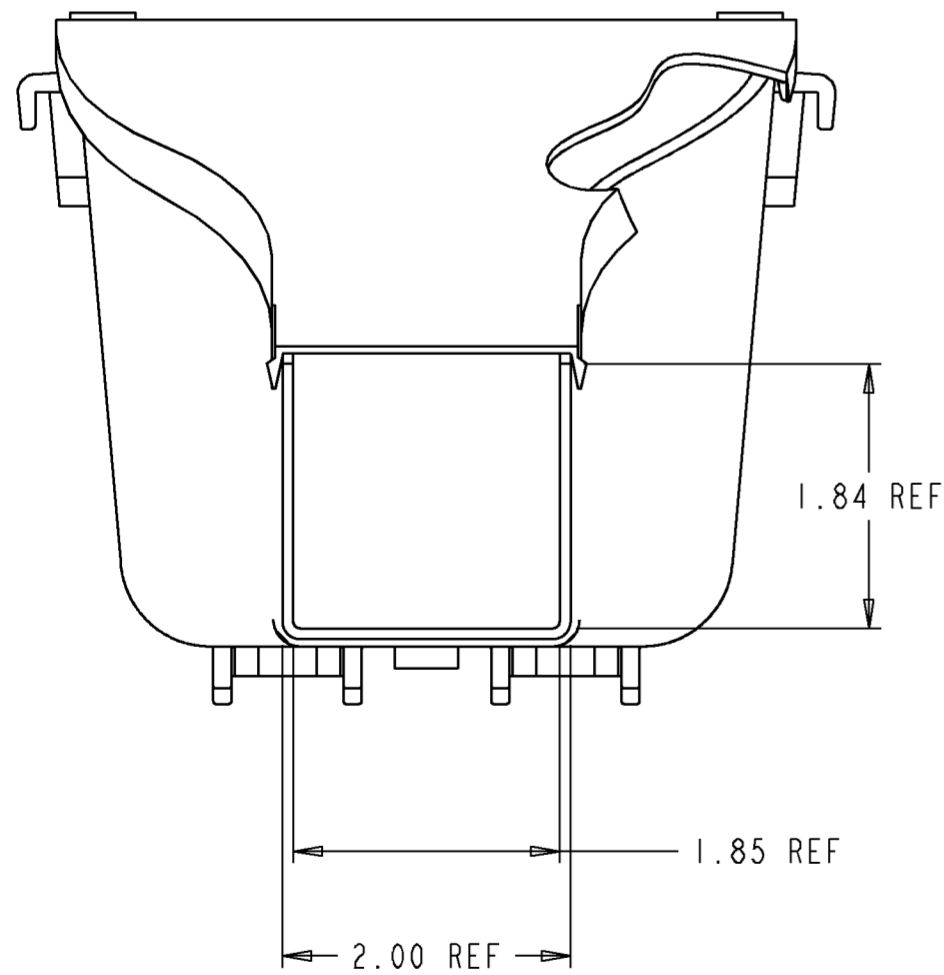
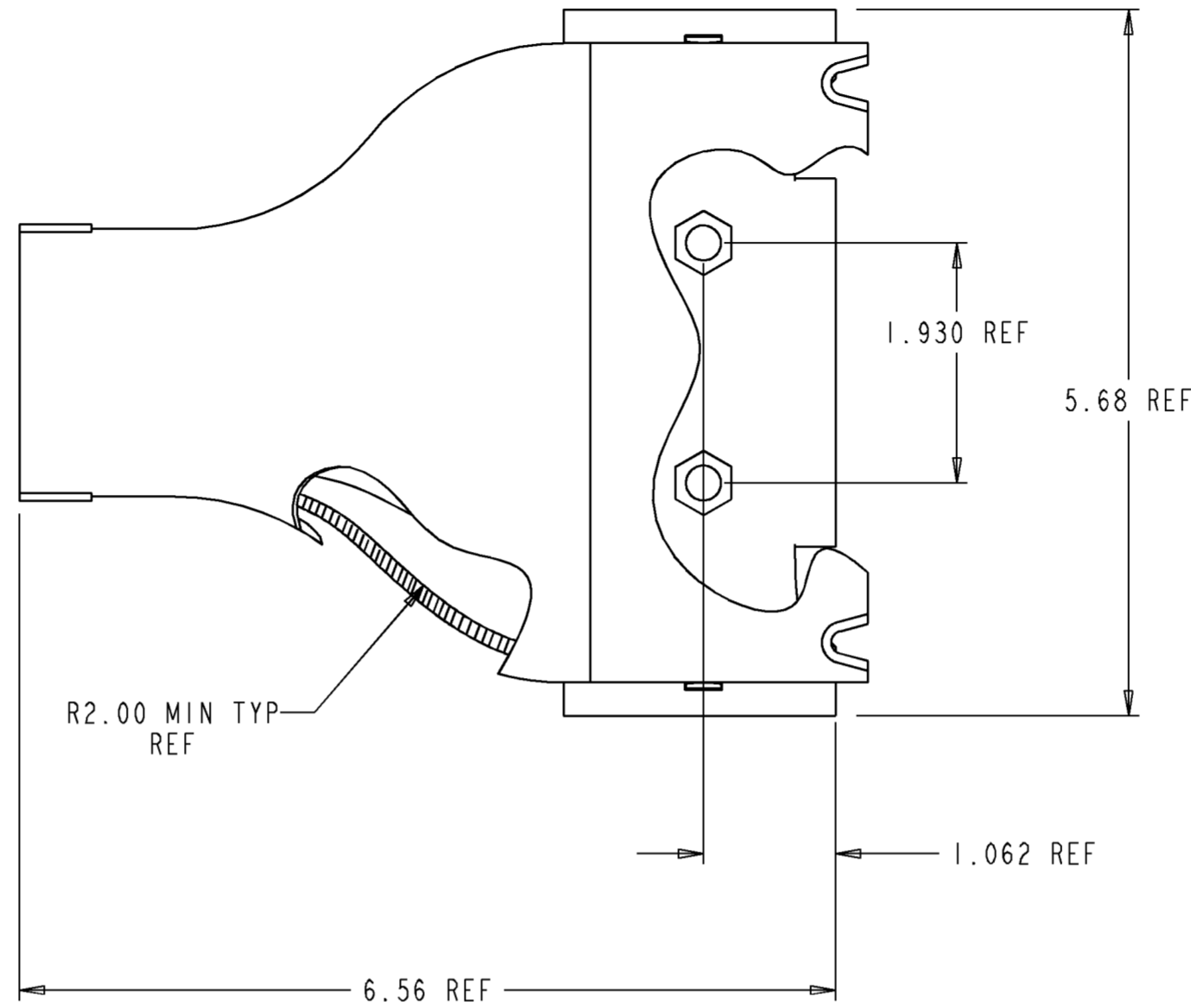
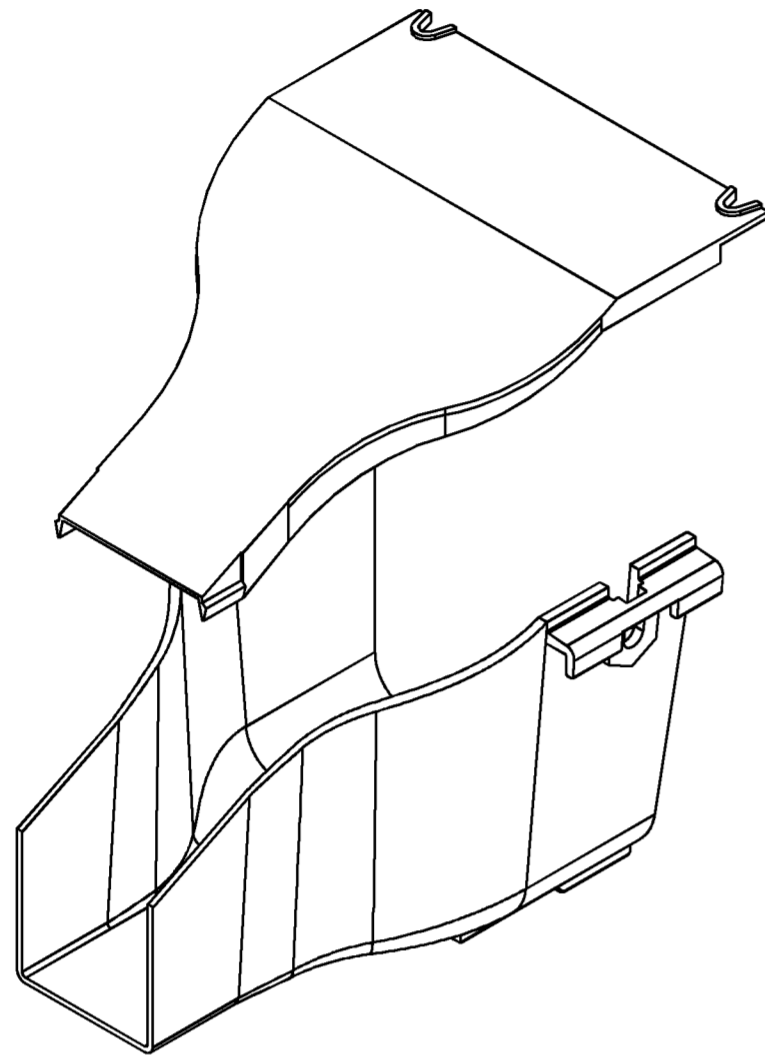


REV	MCO	DWN	DATE
A	20000132	TH	5/28/97
B	20239114	AED	02-MAY-08



NOTES:

1. MATERIAL IS SELF EXTINGUISHING WITH A UL 94 RATING OF V-0.

CATALOG NO.	COLOR
FGS-MDSA-AC	YELLOW
FGSO-MDSA-AC	ORANGE
FGSB-MDSA-AC	BLACK



INFORMATION ON THIS DOCUMENT IS PROPRIETARY TO ADC AND SHALL NOT BE USED, COPIED, REPRODUCED OR DISCLOSED IN WHOLE OR IN PART WITHOUT WRITTEN CONSENT OF ADC.

TITLE ADAPTER, 4 TO 2
INSTALLATION DWG

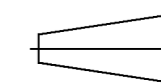
ALL DIMS AND TOLERANCES ARE INCHES UNLESS OTHERWISE SPECIFIED

SIZE C DRAWING NUMBER 4-40001-8047

DO NOT SCALE DRAWING

ENGR: T. HAATAJA
DWN: T. HAATAJA

SHT. 1 OF 1



DIMENSIONS IN INCHES
THIRD ANGLE PROJECTION