

NOVUX™ Fiber Optic System NVX-LCK-NN-NN-XXX: Hinge Lock

Applicable for CC 40/100/150/200

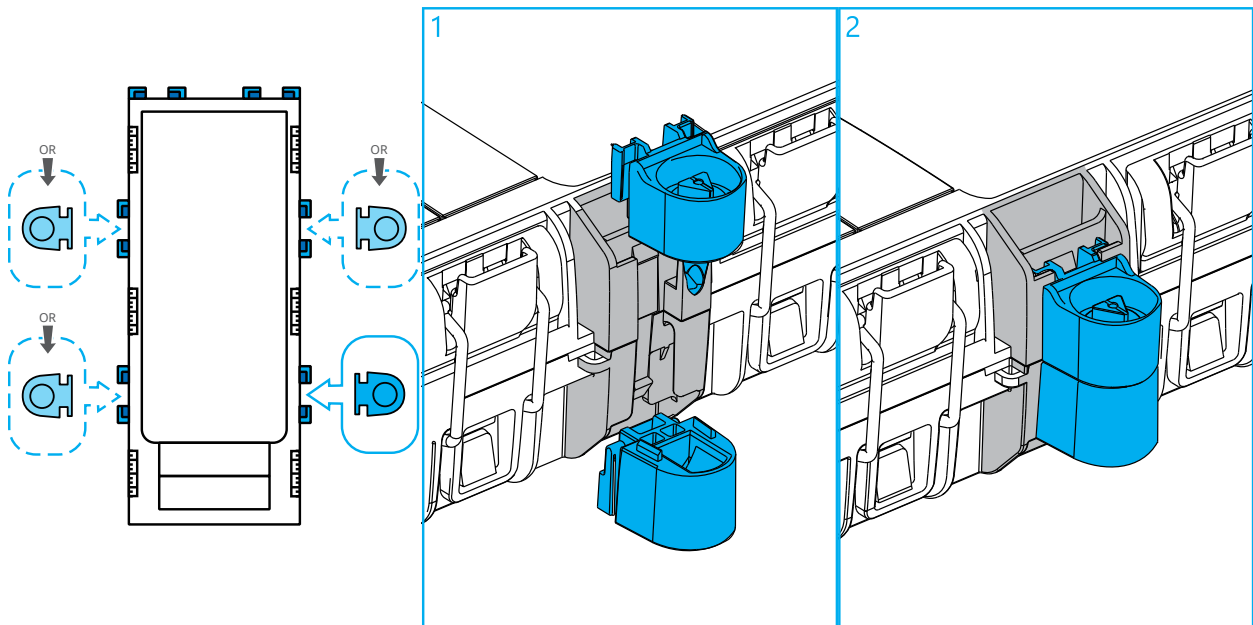
1 Kit contents



N°	Description	Qty
1	Lock top (different lock types possible, order dependent)	1
2	Lock bottom	1

2 Add on Lock/Hinge lock

The lock can be installed in one of the cavities at the left or right side.



- 1 Slide the lock top (with the locking bolt) into the top cover, top-down. Slide the lock bottom in the base, bottom-up. Verify that both parts are properly seated.
- 2 To lock the closure, press both parts together. To open the lock turn the locking bolt counter clockwise.