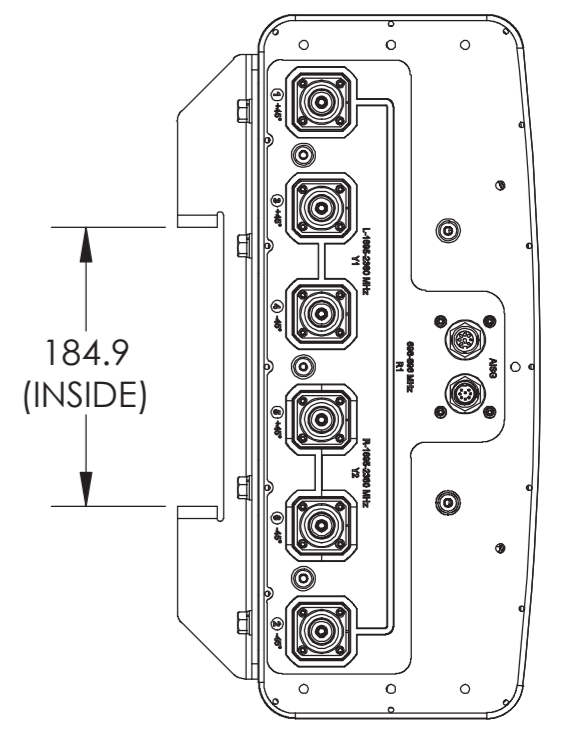
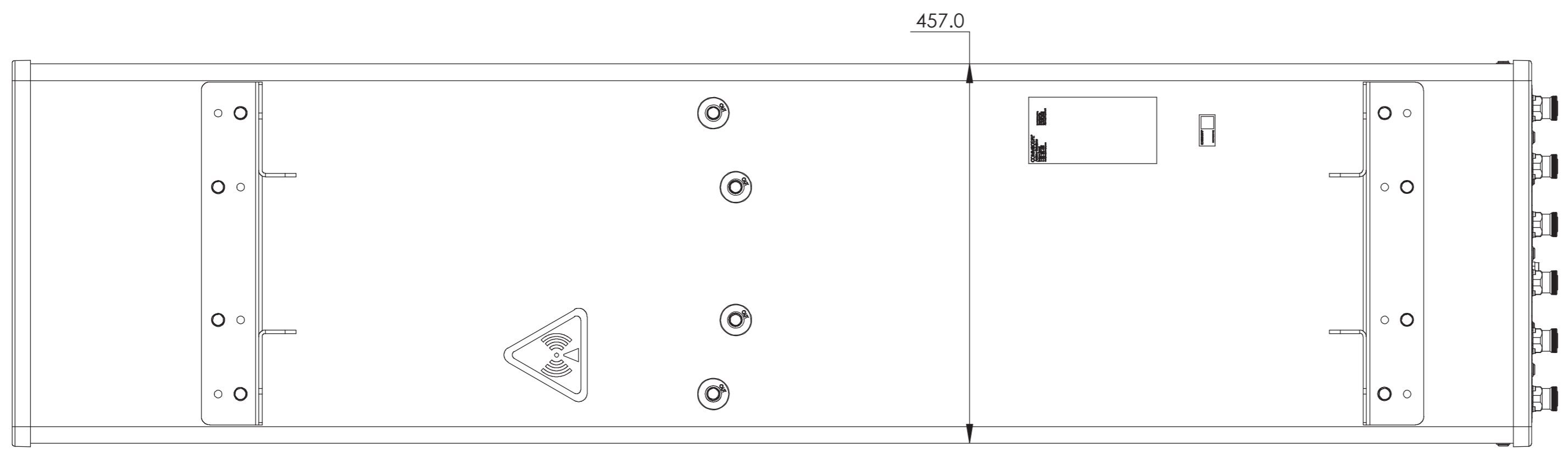
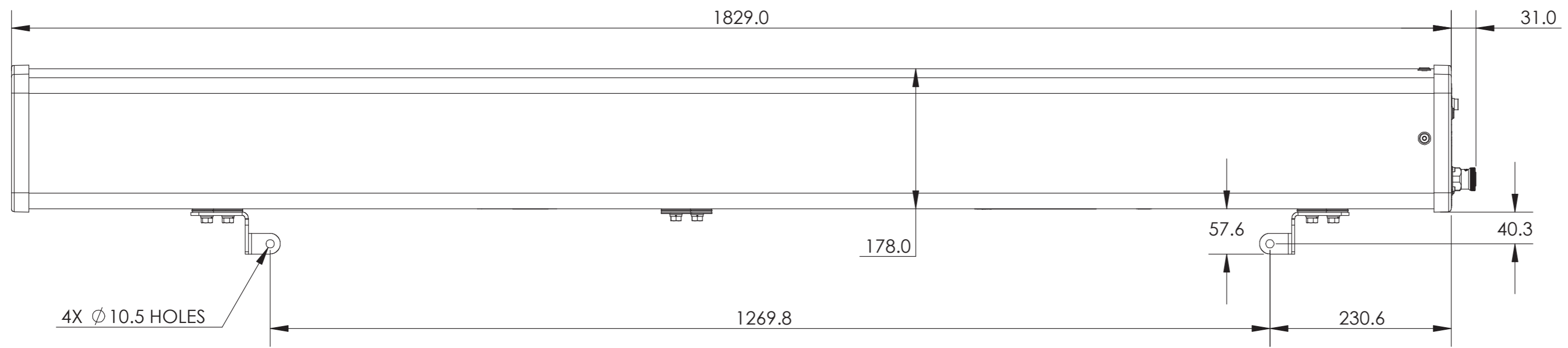


NOTES:

REVISIONS			
REV.	DESCRIPTION	DATE	APPROVED
A	ECR 8000005791: REL TO PRODUCTION PER EAO 602361.	22JAN15 YMH	PL.TANG / LIGWU
B	ECR 8000006847: UPDATE DRAWING.	11FEB15 YMH	PL.TANG / LIGWU
C	ECR 8000007318: UPDATE DRAWING.	20MAR15 JOY	PL.TANG / LIGWU
D	ECR 8000009722: ADD SBNHH-1D45B-SR.	13AUG15 LS	S.LIU/JIHE



SBNHH-1D45B
SBNHH-1D45B-SR

COMMSCOPE, INC. OF NORTH CAROLINA																			
DENSITY:			TOLERANCES			SAP MATERIAL MASTER													
MASS:			0 PLACE X ±																
VOLUME:			1 PLACE .X ±																
SURFACE AREA:			2 PLACE .XX ±																
ANGLES ±																			
FINISH						MATERIAL													
N/A						N/A													
<small>UNLESS OTHERWISE SPECIFIED DIMENSIONS ARE IN MILLIMETERS INTERPRET PER ISO STANDARDS HANDBOOK TECHNICAL DRAWINGS VOLUMES 1 & 2, THIRD EDITION (2002)</small>												NAME		DATE		TITLE PRODUCT DRAWING			
												CE	YMH	22JAN15					
												RW	SL1039	08/13/2015					
												RV	CHALIU	08/14/2015					
												AD	JIHE	08/14/2015					
RE	BYUAN	08/16/2015		SIZE		SCALE		DOCUMENT NO.											
ECN		8000009722-0		A2		1:5		SBNHH-1D45B-L											
HEIGHT		ALL SURFACES		WORK AREA		23		MODEL		DRAWING									
LENGTH		✓		[Symbol]		[Symbol]		VERSION		STATUS									
WIDTH		[Symbol]		[Symbol]		[Symbol]		REVISION		REVISION									
								05		RE									
								F		03									
								RE		D									
										SHEET									
										1 OF 1									

© 2015 CommScope, Inc.
NOTICE: These drawings and specifications are the proprietary property of COMMSCOPE, INC. and may be used only for the specific purpose authorized in writing by COMMSCOPE, INC.