

4

3

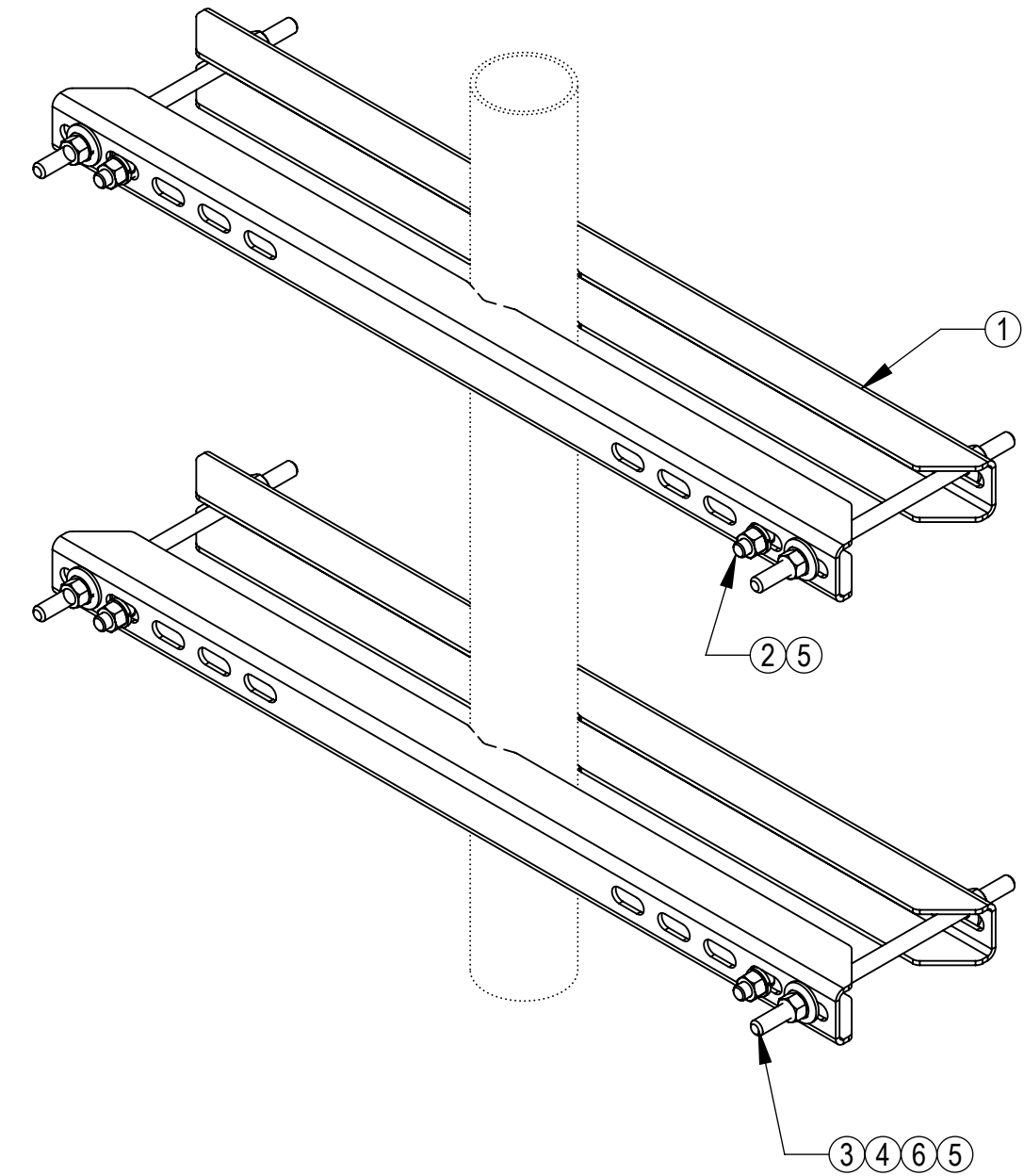
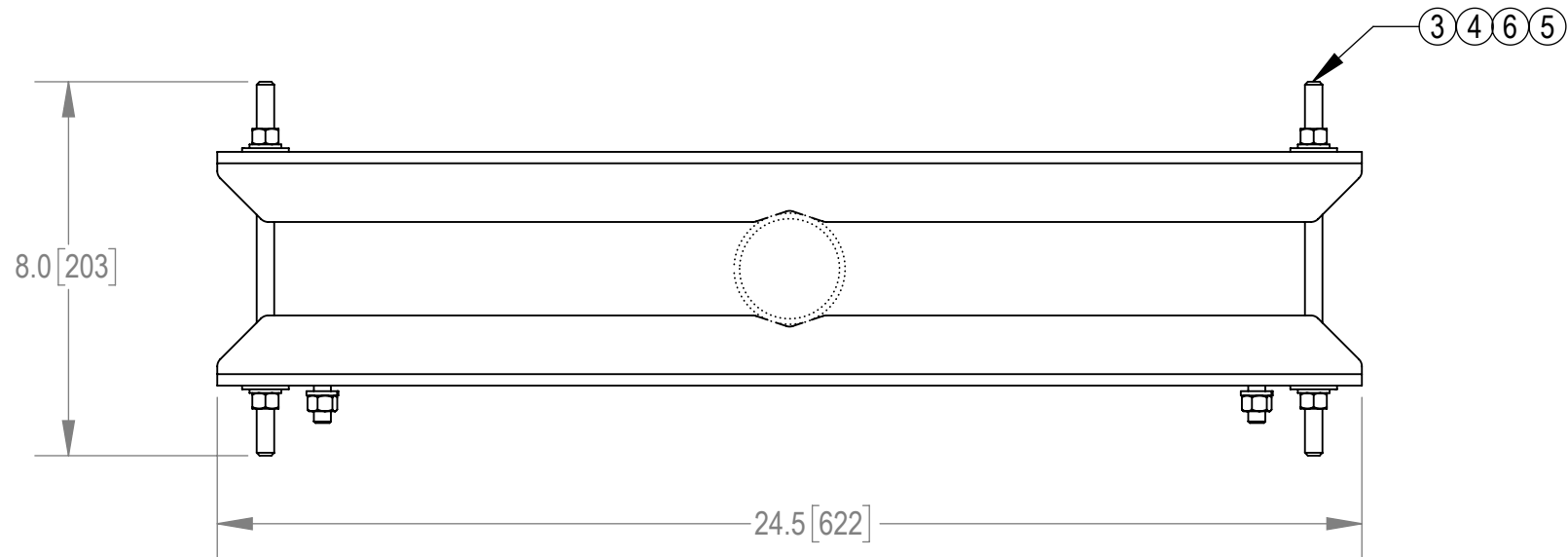
2

1

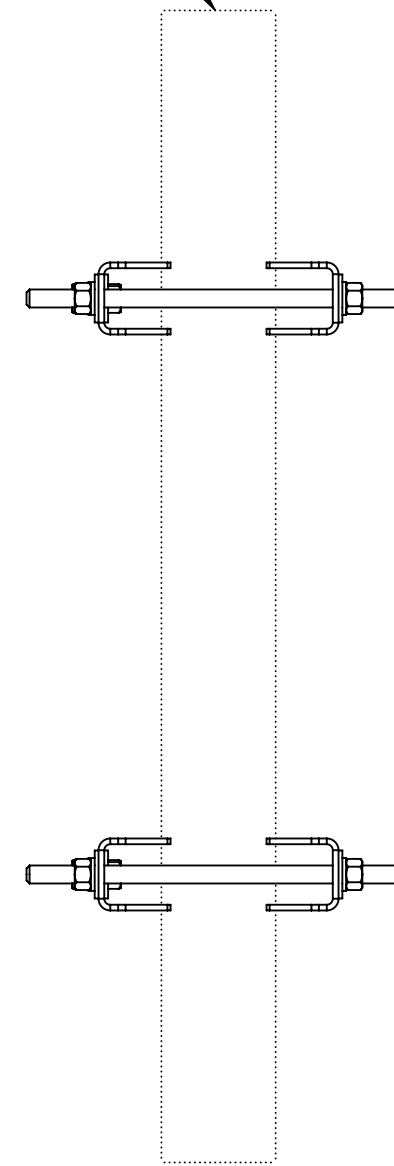
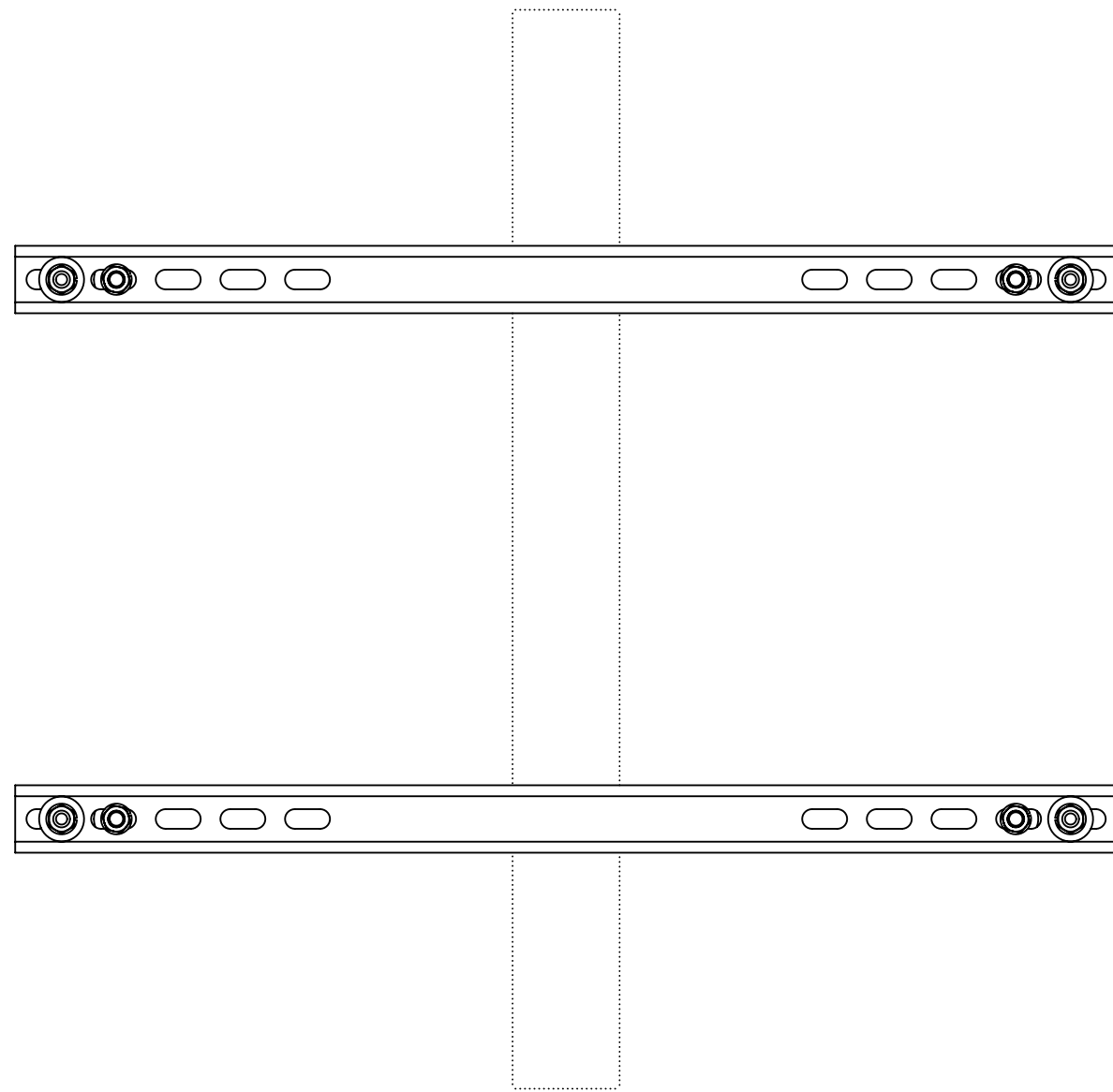
NOTES:

- 1.0 GENERAL
- 1.1 ALL METRIC DIMENSIONS ARE IN BRACKETS
- 2.0 DESIGN NOTES
- 3.0 MANUFACTURING/SPECIAL REQUIRMENTS
- 4.0 TEST
- 5.0 PACKAGING

REVISIONS				
REV.	ECN	DESCRIPTION	BY	DATE
A	8000036621	INITIAL RELEASE	ES	07/31/19



1.0"-4.0" OD ROUND MEMBER  
SOLD SEPARATELY



<b>COMMSCOPE, INC. OF NORTH CAROLINA</b>									
TOLERANCES					SAP MATERIAL MASTER				
0 PLACE X ± 0.25		2 PLACE .XX ± 0.06			<b>DC-EMBT</b>				
1 PLACE .X ± 0.12		ANGLES ± 2°							
FINISH GALV A123					MATERIAL A1011 GR 33				
UNLESS OTHERWISE SPECIFIED DIMENSIONS ARE IN INCHES INTERPRET PER ANSI Y 14.5M-1994	CE	ES	07/31/2019	<b>DC SERIES EQUIPMENT BOX MOUNT KIT</b>					
	RW	ES1081	08/30/2019						
	RV								
	AD	ES1081	08/30/2019						
	RE	ES1081	08/30/2019						
ECN 008000036621				SCALE <b>1:4</b>	DOCUMENT NO. <b>DC-EMBT</b>				
SIZE	WORK AREA	24	MODEL			DRAWING			
<b>C</b>	⊕	◁	VERSION	STATUS	REVISION	VERSION	STATUS	REVISION	SHEET
			01	RE	B	03	RE	A	1 OF 1

ITEM	PART NO.	DESCRIPTION	QTY.	WEIGHT	NOTE NO.
1	DCEBMT01	CHANNEL, 1.5 X 1.5 X 24.5, PIPE MOUNT	4	3.17 LBS	
2	GB-03105	3/8" X 1" GALV BOLT KIT	4	0.05 LBS	
3	GD03800	3/8" X 8" GALV THREADED ROD	4	0.25 LBS	
4	GN-03	3/8" GALV HEX NUT	8	0.02 LBS	
5	GWF-03	3/8" GALV FLAT WASHER	12	0.01 LBS	
6	GWL-03	3/8" GALV LOCK WASHER	8	0.01 LBS	

DENSITY	0.282	lbs/in <sup>3</sup>
MASS	20.116	lbs
VOLUME		in <sup>3</sup>
SURFACE AREA		in <sup>2</sup>
HEIGHT	5	
LENGTH	25	
WIDTH	5	

4

3

2

1

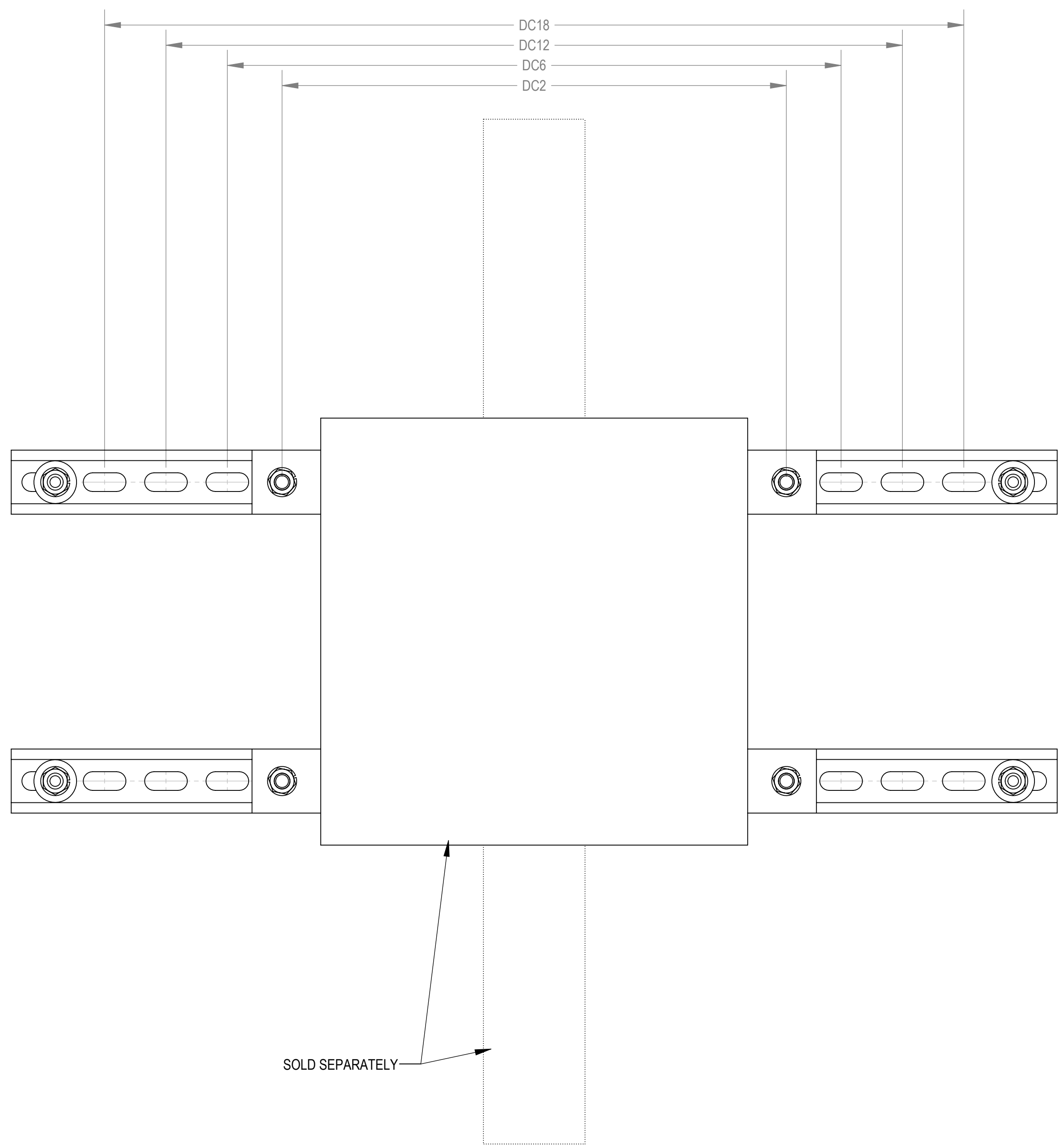
4

3

2

1

NOTES:



D

D

C


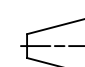
C

B

B

A

A

COMMSCOPE, INC. OF NORTH CAROLINA				
TITLE DC SERIES EQUIPMENT BOX MOUNT KIT				
SIZE <b>C</b>	SCALE <b>1:4</b>	DOCUMENT NO. <b>DC-EMBT</b>		
 		DRAWING		SHEET 2 OF 2
		VERSION 03	STATUS RE	

© 2019 CommScope, Inc.

4

3

2

1