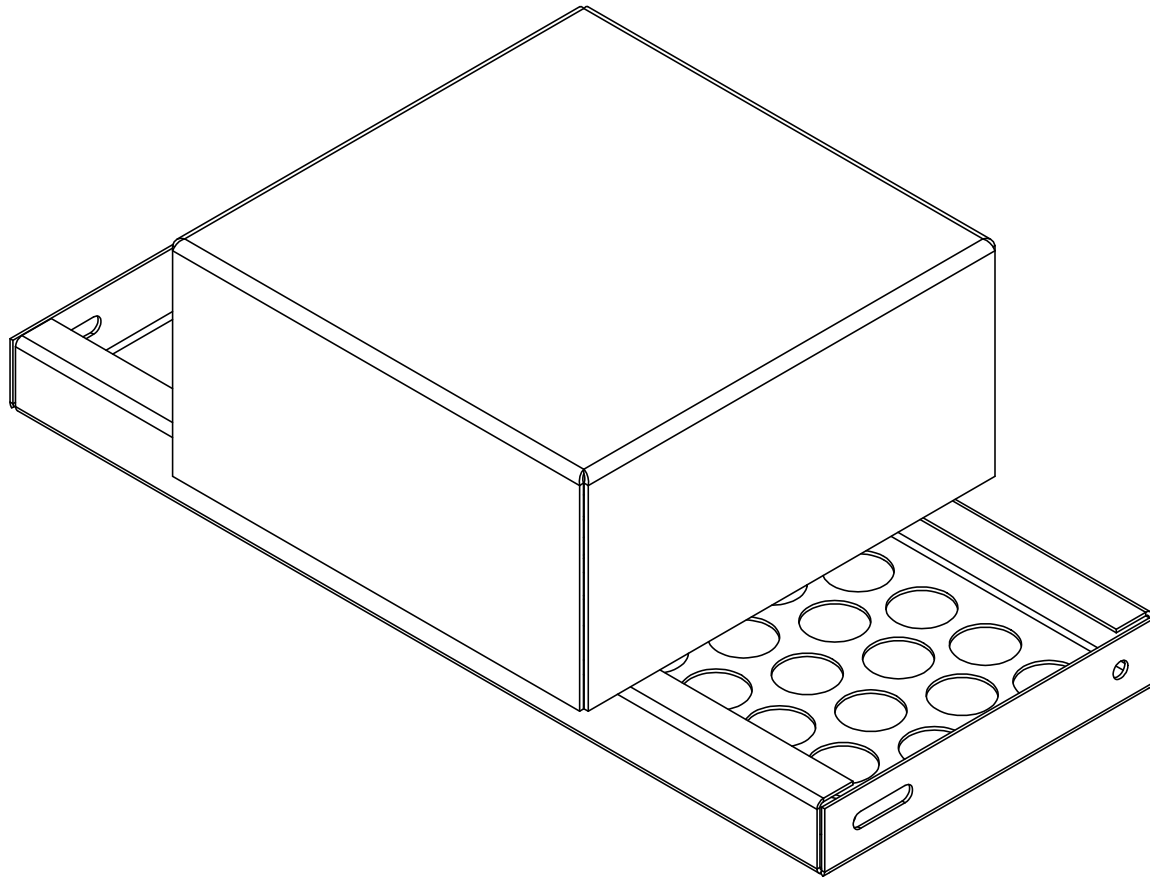


NOTES:

- 1.0 BAND TOGETHER FOR SHIPPING AS NEEDED.
- 2.0 CUSTOMER ASSEMBLY SHEET 2.

REVISIONS				
REV.	ECN	DESCRIPTION	BY	DATE
A	8000008115	INITIAL RELEASE	MSM	05/22/15



GRIP STEP PACKAGING SHOWN

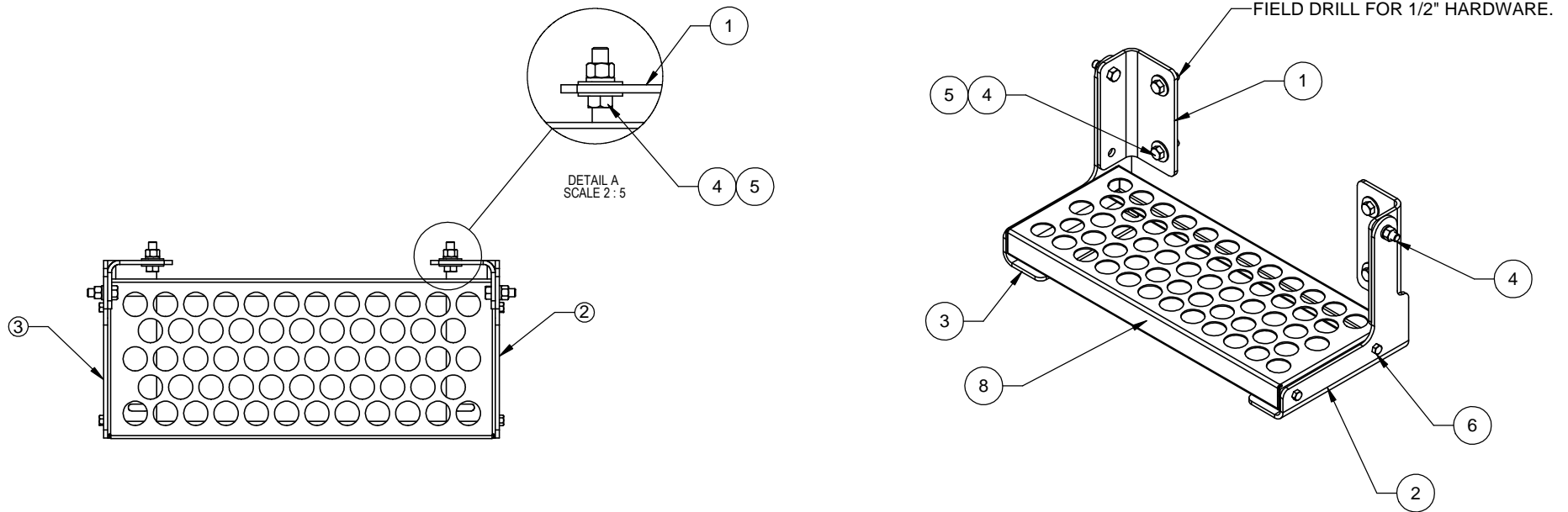
COMMSCOPE, INC. OF NORTH CAROLINA										
TOLERANCES					SAP MATERIAL MASTER					
0 PLACE X ± .25		2 PLACE XX ± .06			EQ-STF					
1 PLACE .X ± .12		ANGLES ± 2°								
FINISH					MATERIAL					
GALV A123					A36					
NAME		DATE		TITLE						
CE MSM		05/12/15		EQUIPMENT PLATFORM STEP FOLDING						
RW				SCALE 1:2 DOCUMENT NO. EQ-STF						
RV										
AD										
RE TP		05/12/15								
ECN 8000008115										
SIZE		WORK AREA		MODEL		DRAWING				
C				VERSION		REVISION		REVISION		SHEET
										A

ITEM	PART NO.	DESCRIPTION	QTY.	WEIGHT	NOTE NO.
1	MTC9638SLO1	10" X 24" STAIR GRIP STEP	1	20.59 LBS	
2	EQSTFHK	HARDWARE KIT FOR EQ-STF	1	21.23 LBS	

DENSITY	41.82	lbs/in ³
MASS		lbs
VOLUME		in ³
SURFACE AREA		in ²
HEIGHT		
LENGTH		
WIDTH		

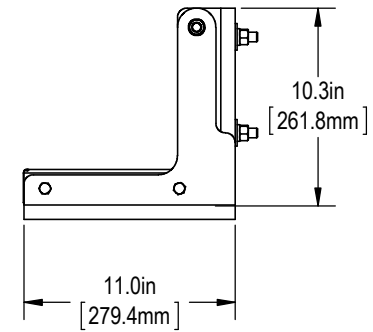
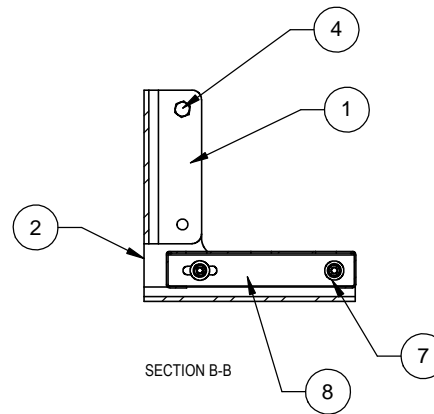
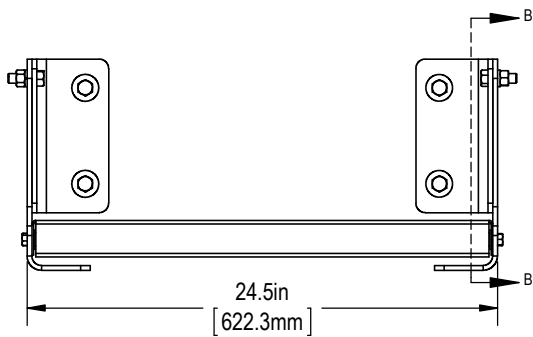
NOTES:

1.0 FIELD DRILL TO PLATFORM AFTER POSITIONING.



DETAIL A
SCALE 2:5

SECTION B-B



ITEM	PART NO.	DESCRIPTION	QTY.	WEIGHT	NOTE NO.
1	EQPS01	STEP BRACKET	2	3.53 LBS	
2	EQPS02	STEP SIDE PLATE, RIGHT	1	5.17 LBS	
3	EQPS04	STEP SIDE PLATE, LEFT	1	5.17 LBS	
4	GB-04145	1/2" X 1-1/2" GALV BOLT KIT	6	0.13 LBS	
5	GWf-04	1/2" GALV FLAT WASHER	8	0.03 LBS	
6	GB-03105	3/8" X 1" GALV BOLT KIT	4	0.05 LBS	
7	GWf-03	3/8" GALV FLAT WASHER	4	0.01 LBS	
8	MTC9638SL01	10" X 24" STAIR GRIP STEP	1	20.59 LBS	

GRIP STEP ASSEMBLY SHOWN

COMMSCOPE, INC. OF NORTH CAROLINA			
TITLE			
EQUIPMENT PLATFORM STEP FOLDING			
SIZE	SCALE	DOCUMENT NO.	
C	1:5	EQ-STF	
DRAWING			SHEET
VERSION	STATUS	REVISION	2 OF 4
		A	

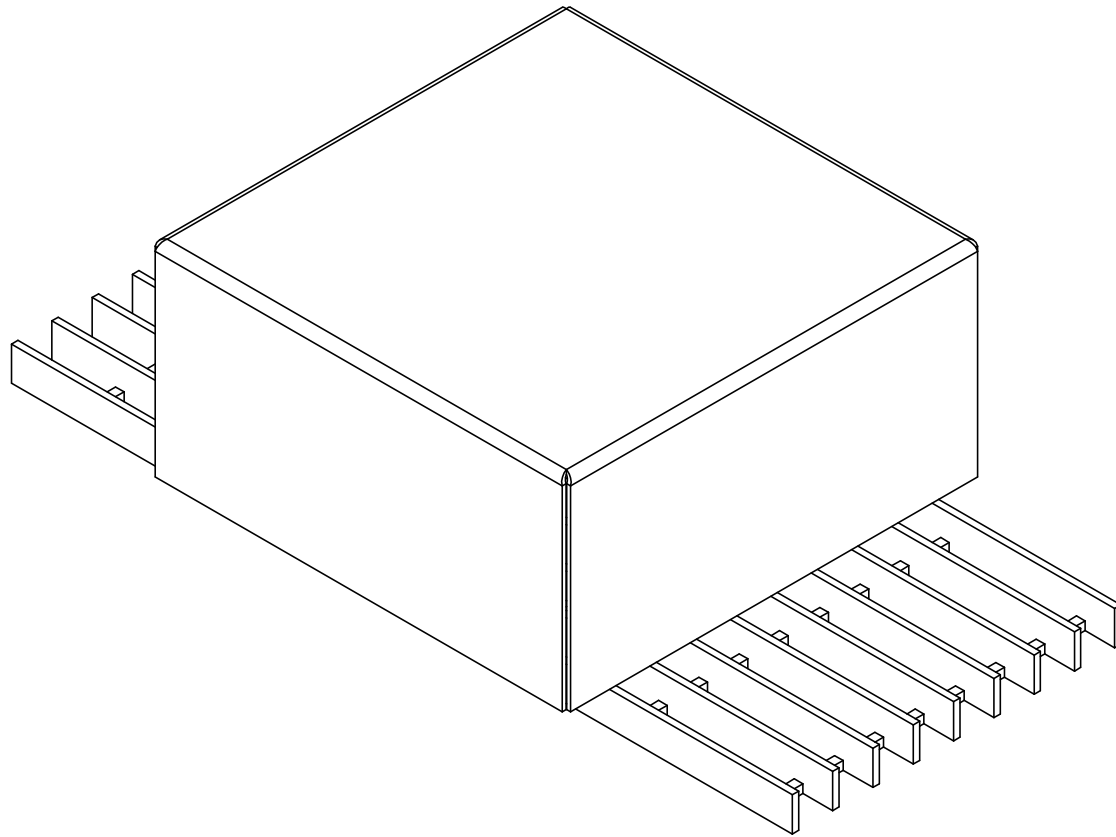
4

3

2

1

NOTES:
 1.0 BAND TOGETHER FOR SHIPPING AS NEEDED.
 2.0 CUSTOMER ASSEMBLY SHEET 4.



ITEM	PART NO.	DESCRIPTION	QTY.	WEIGHT	NOTE NO.
1	EQPS05	PLATFORM STEP BAR GRATING	1	11.78 LBS	
2	EQSTFHK	HARDWARE KIT FOR EQ-STF	1	21.23 LBS	

GRATE STEP PACKAGING SHOWN

COMMSCOPE, INC. OF NORTH CAROLINA					
TITLE EQUIPMENT PLATFORM STEP FOLDING					
SIZE C	SCALE 1:2	DOCUMENT NO. EQ-STF			
		DRAWING			SHEET
		VERSION	STATUS	REVISION	3 OF 4
				A	

© 2015 CommScope, Inc. Confidential

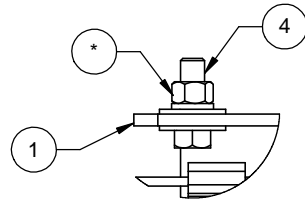
4

3

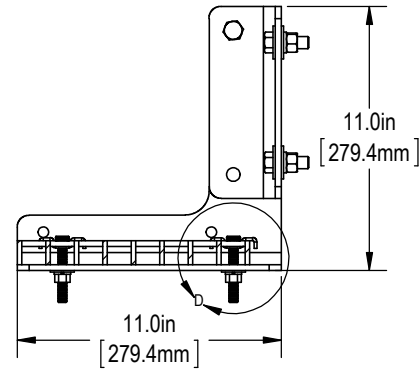
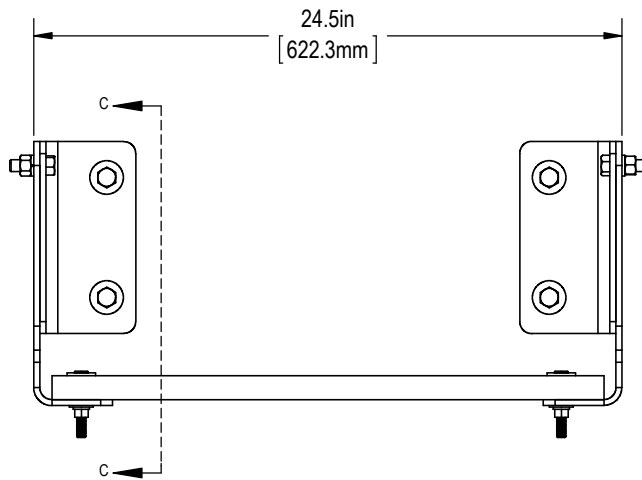
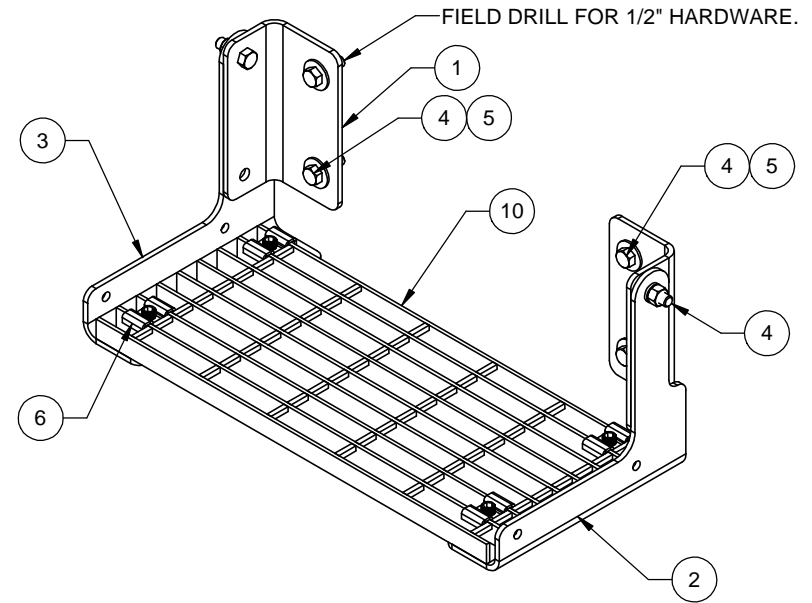
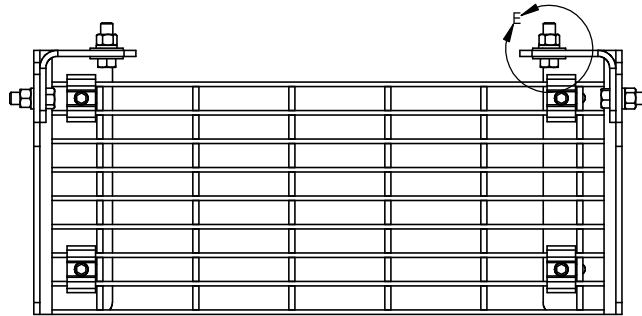
2

1

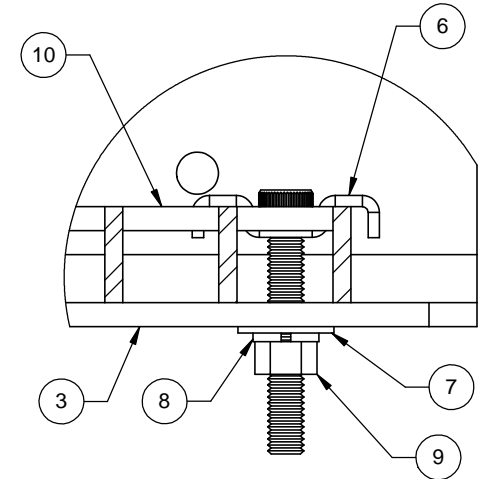
NOTES:



DETAIL E
SCALE 1:2



SECTION C-C



DETAIL D
SCALE 1:1

REMOVE GRATING CLIP BASE
AND REPLACE WITH FLAT WASHER
LOCKING WASHER AND NUT
FROM GB-03105 BOLT KITS

ITEM	PART NO.	DESCRIPTION	QTY.	WEIGHT	NOTE NO.
1	EQPS01	STEP BRACKET	2	3.53 LBS	
2	EQPS02	STEP SIDE PLATE, RIGHT	1	5.17 LBS	
3	EQPS04	STEP SIDE PLATE, LEFT	1	5.17 LBS	
4	GB-04145	1/2" X 1-1/2" GALV BOLT KIT	6	0.13 LBS	
5	GWF-04	1/2" GALV FLAT WASHER	8	0.03 LBS	
6	GCM03	GRATING CLIP	4	0.44 LBS	
7	GWF-03	3/8" GALV FLAT WASHER	4	0.01 LBS	
8	GWL-03	3/8" GALV LOCK WASHER	4	0.01 LBS	
9	GN-03	3/8" GALV HEX NUT	4	0.02	
10	EQPS05	PLATFORM STEP BAR GRATING	1	11.78 LBS	

GRATE STEP ASSEMBLY SHOWN

COMMSCOPE, INC. OF NORTH CAROLINA			
TITLE EQUIPMENT PLATFORM STEP FOLDING			
SIZE C	SCALE 1:4	DOCUMENT NO. EQ-STF	
DRAWING		STATUS	REVISION
			A
			SHEET 4 OF 4