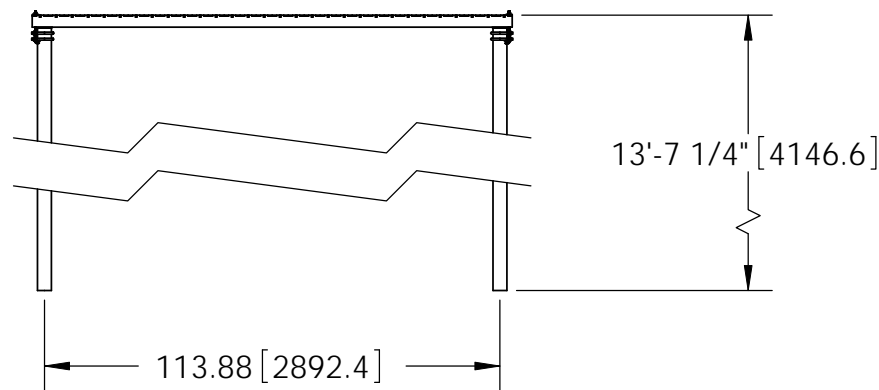
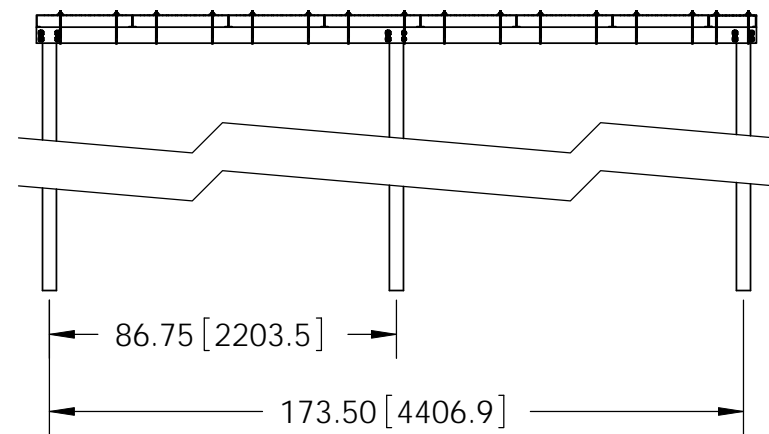
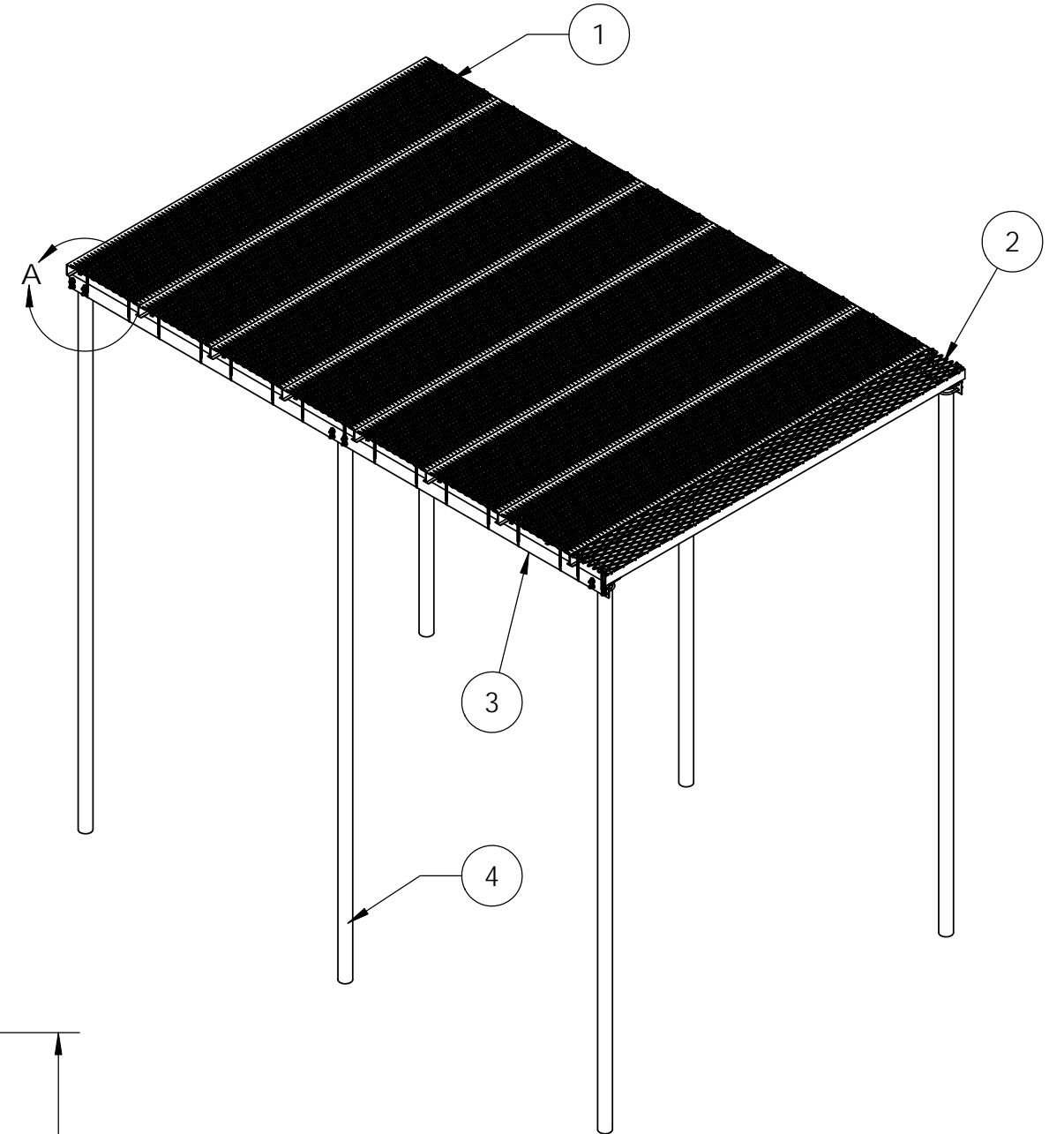
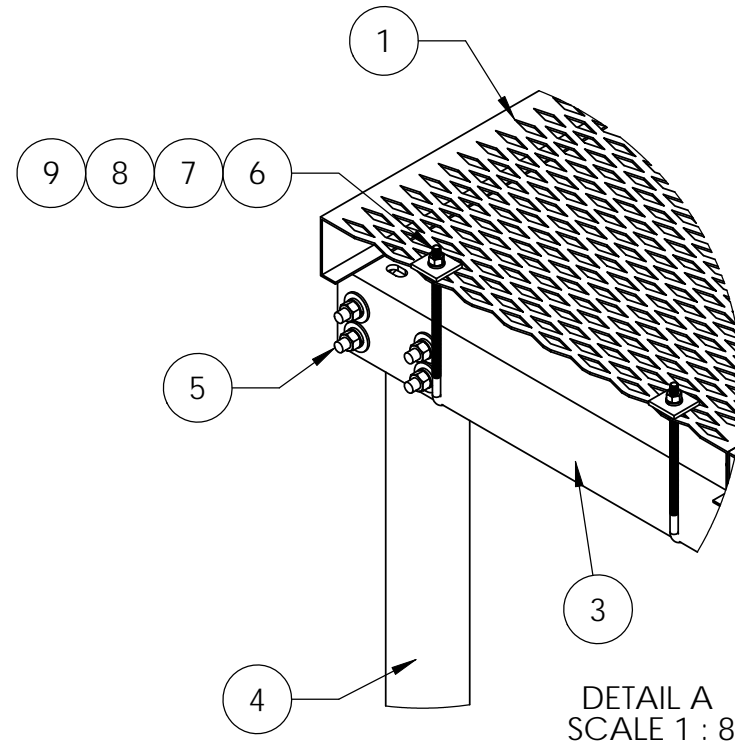
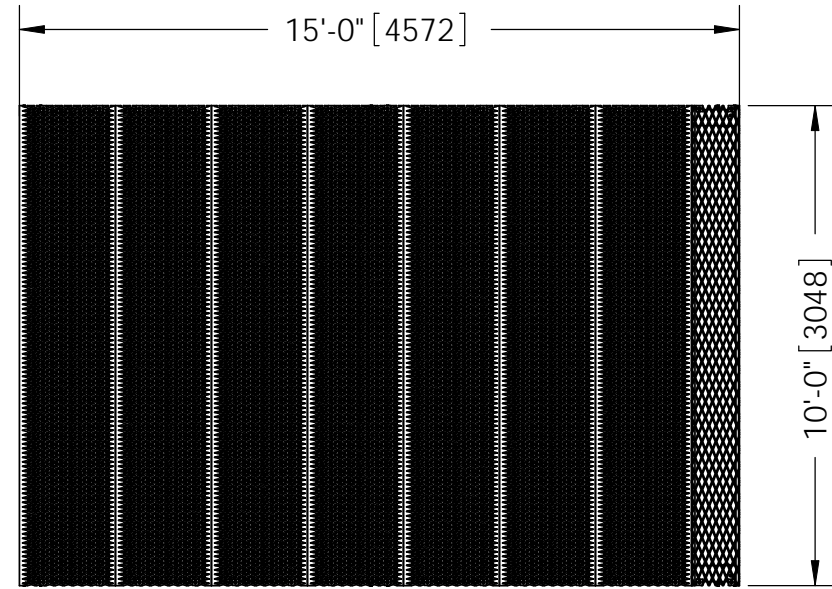


ITEM	PART NO.	DESCRIPTION	QTY.	WEIGHT
1	WB-CY210	SAFETY GRATING 24" X 10'	7	76.00 LBS
2	WB-CY110	SAFETY GRATING 12" X 10'	1	70.00 LBS
3	IC101501	15' ICE SHIELD SUPPORT BRACKET	2	97.47 LBS
4	MF-130	Ø3.5" O.D. X 13'-4" DIRECT BURIAL PIPE COLUMN	6	78.64 LBS
5	GUB-4355	1/2" X 3-5/8" X 5" GALV U-BOLT	12	1.27 LBS
6	GJB0380	8" GALV J-BOLT KIT	32	0.23 LBS
7	MT-387	SQUARE WASHER, 1-1/2" X 1-1/2" W/ 7/16" HOLE	32	0.11 LBS
8	GWL-03	3/8" GALV LOCK WASHER	32	0.00 LBS
9	GN-03	3/8" GALV HEX NUT	32	0.04 LBS

REVISIONS				
REV.	ZONE	DESCRIPTION	BY	DATE
A		INITIAL RELEASE	MSM	08/23/12



NOTES:
1. ALL METRIC DIMENSIONS ARE IN BRACKETS.

These drawings and specifications are the proprietary property of CommScope Inc. and may be used only for the specific purpose authorized in writing by CommScope Inc.		DRAWN BY: MSM	SHEET: 1 of 1	PART NUMBER: IC-1015-B
ALL DIMENSIONS ARE IN INCHES U.S.S. TOLERANCES UNLESS OTHERWISE SPECIFIED: .X = ± .12 ANGLES ±2° .XX = ± .06 FRACTIONS ±1/32 .XXX = ± .03		CHECKED BY: TP	SCALE: NTS	DESCRIPTION: 10' X 15' Ice Canopy
REMOVE BURRS AND BREAK EDGES .005		DATE: 08/23/12	MATERIAL: A36, A53, A568	DRAWING TYPE: ASSEMBLY DRAWING
DO NOT SCALE THIS PRINT		REVISION: A	FINISH: GALV A123	COMMSCOPE Hickory, NC 28602 U.S.A.
			WEIGHT: 1291.12 LBS	