

NOTES:

1.0 GENERAL NOTES

- 1.1 ALL METRIC DIMENSIONS ARE IN BRACKETS [X. X]
- 1.2 MARK PART WITH IDENTIFICATION NUMBER
- 1.3 FOR PATENT INFO: <https://www.cs-pat.com>

2.0 DESIGN NOTES

3.0 MANUFACTURING/SPECIAL REQUIREMENTS

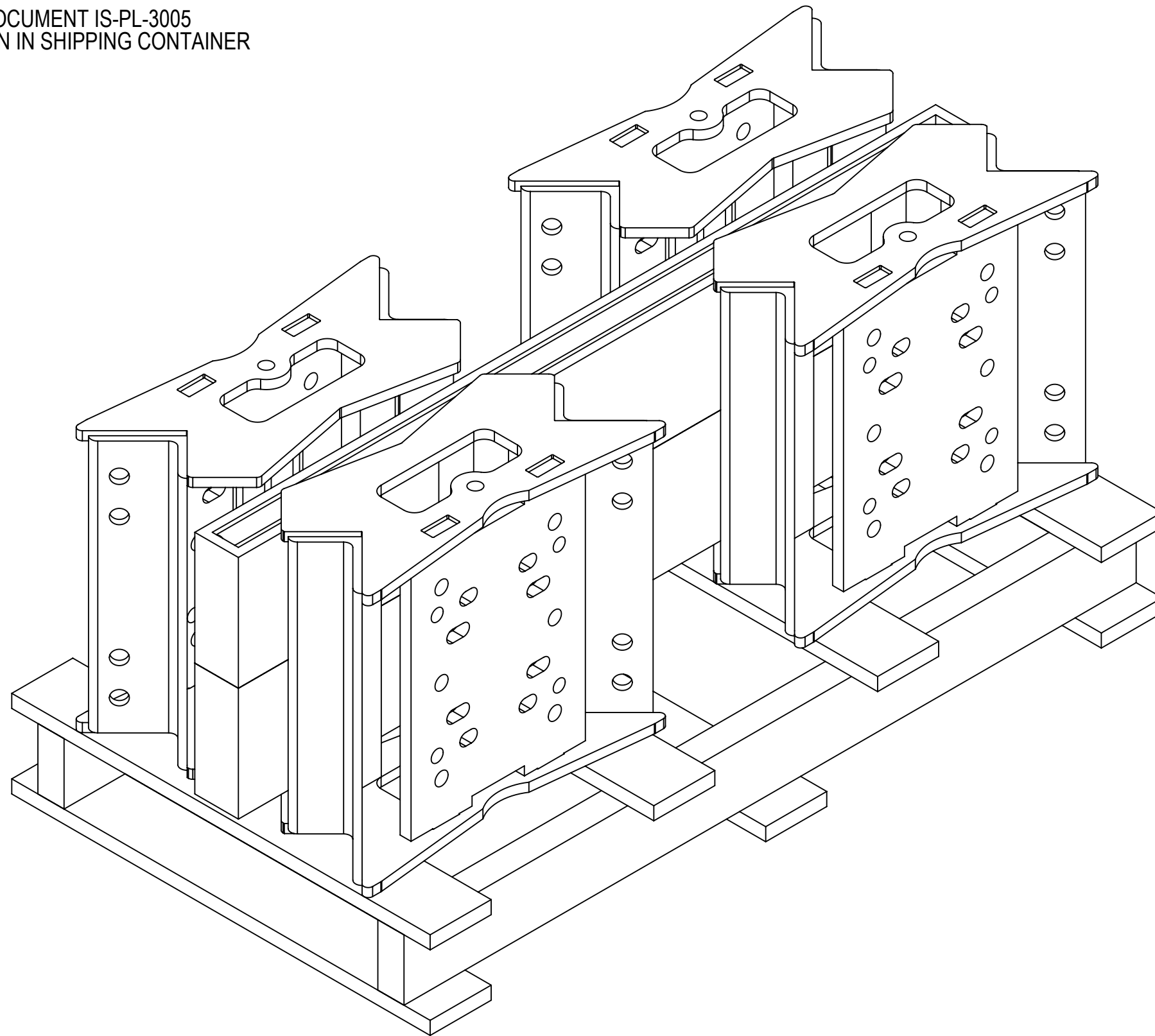
- 3.1 TIGHTEN ALL BOLTS SECURING FLAT PLATES BY THE TURN-OF-NUT METHOD. TIGHTEN ALL U-BOLTS USING TURN-OF-NUT METHOD WITH ATTENTION TO LEAVE EQUAL DISTANCE AND EQUAL FORCE ON EACH LEG OF THE U-BOLT.
- 3.2 ALL THE THREADED RODS ARE INSTALLED ACCORDING TO THE ACTUAL MONOPOLE DIAMETER. THE LENGTH THAT WILL INTERFERE WITH THE RING MOUNT OR OTHERS PART OF PLATFORM NEED TO BE CUT OFF.

4.0 TEST

5.0 PACKAGING

- 5.1 PACKAGING SHALL MEET COMMSCOPE REQUIREMENTS PER DOCUMENT IS-PL-3005
- 5.2 PRINTED DOCUMENT TO BE PLACED INSIDE POLYBAG AND THEN IN SHIPPING CONTAINER
- 5.3 EXTRA HARDWARE MAYBE SUPPLIED, BAGGED AND SHIPPED

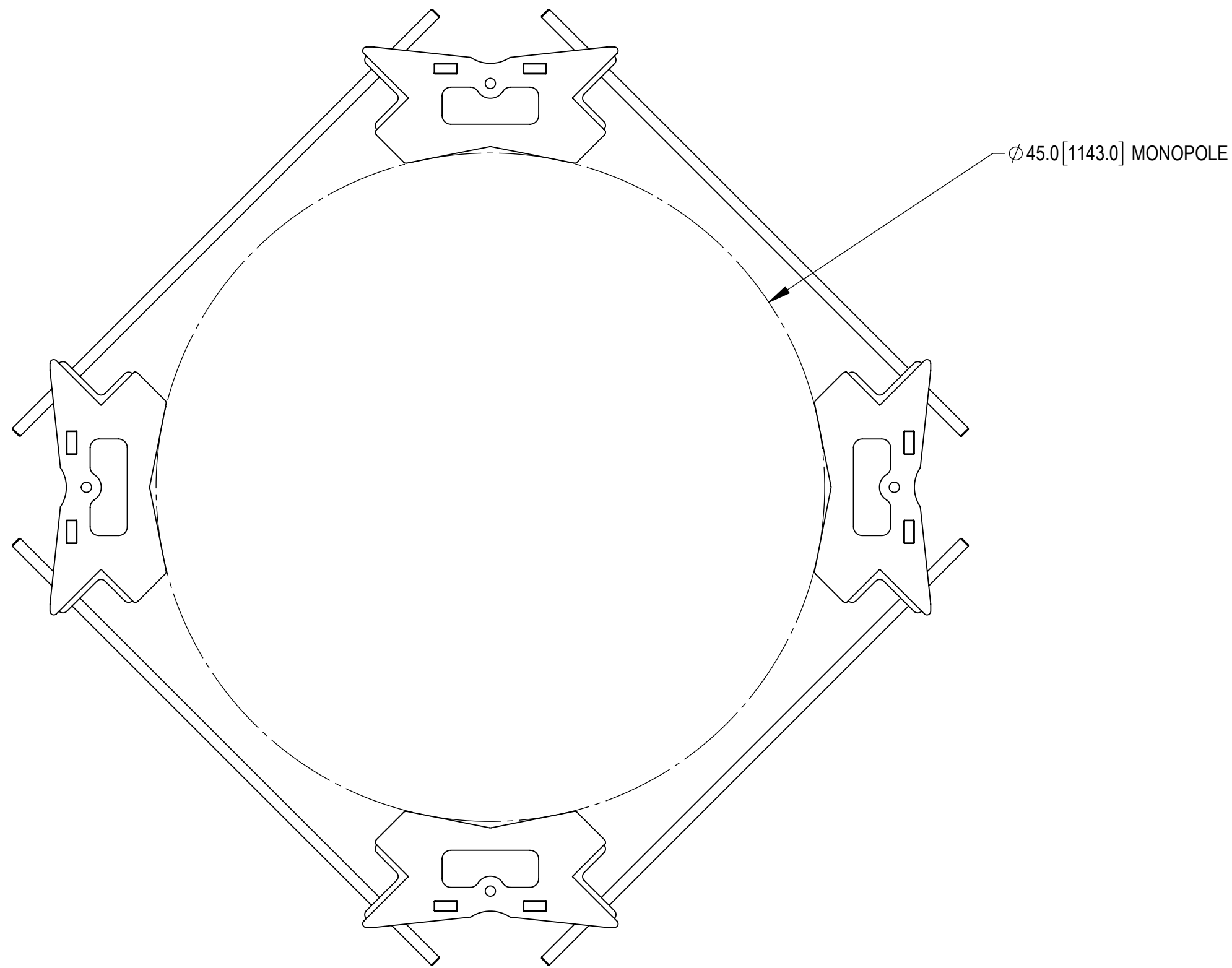
REVISIONS				
REV.	ECN	DESCRIPTION	BY	DATE
A	10786	INITIAL RELEASE	MAC	08/26/2021



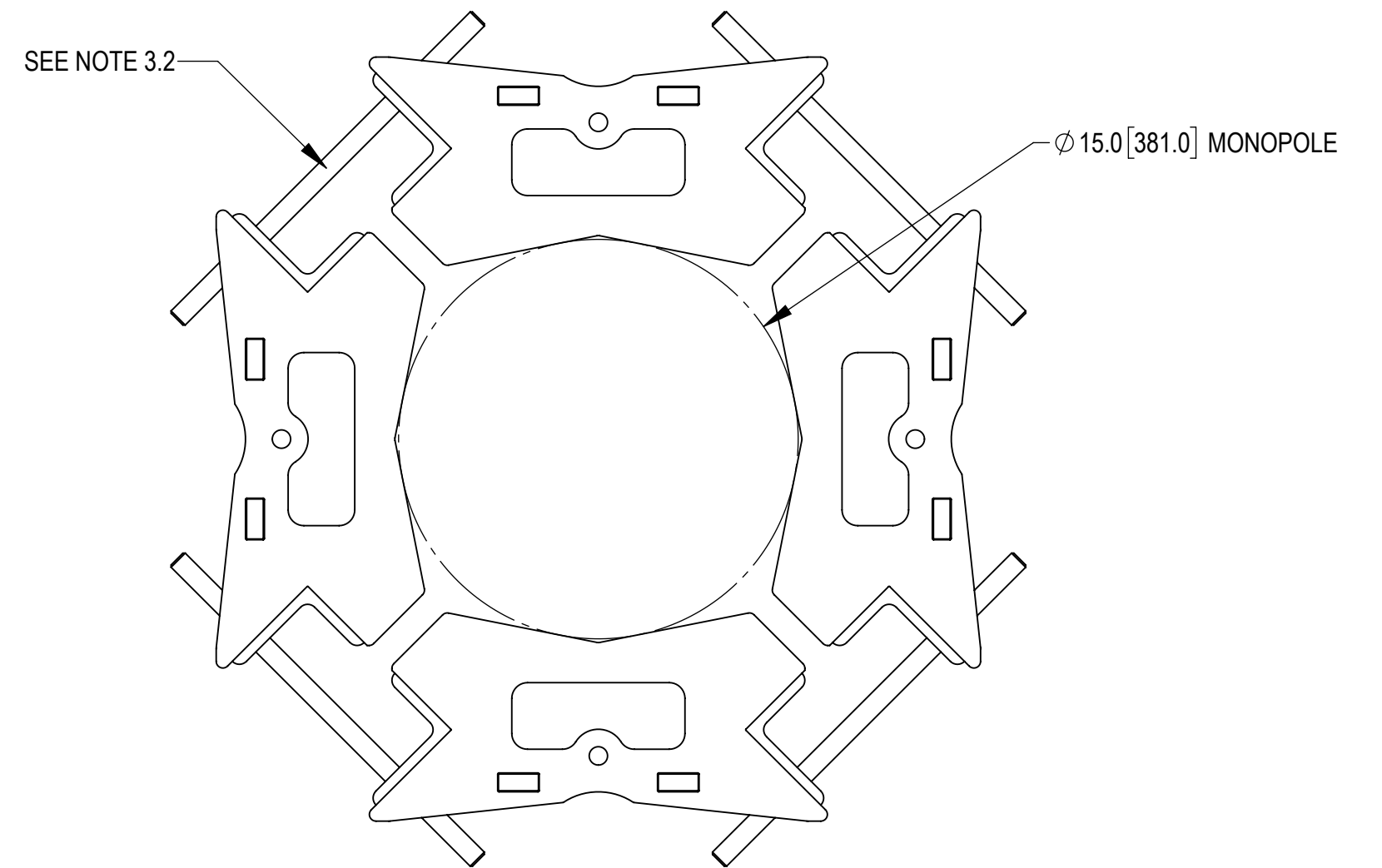
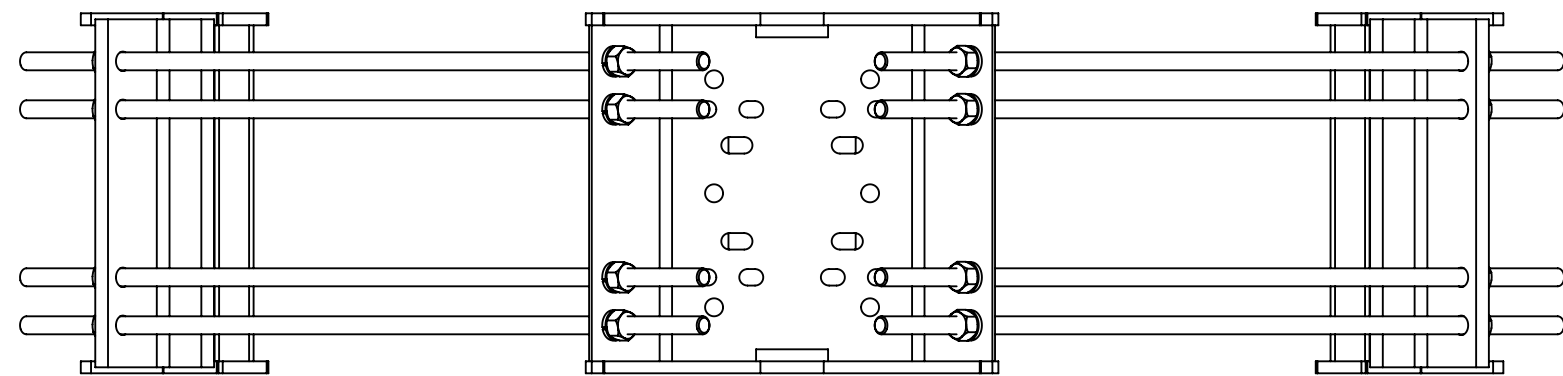
<b>COMMSCOPE, INC. OF NORTH CAROLINA</b>									
TOLERANCES					SAP MATERIAL MASTER				
1 PLACE .X ± .25		3 PLACE .XXX ± 0.06			<b>MC-RMHD-1545-4</b>				
2 PLACE .XX ± 0.12		ANGLES ± 2°							
FINISH GALV A123					MATERIAL A36				
UNLESS OTHERWISE SPECIFIED DIMENSIONS ARE IN INCHES INTERPRET PER ANSI Y 14.5M-1994	NAME		DATE		<b>4 SECTOR RING MOUNT, 15"-45" POLE</b>				
	CE	MAC	08/26/2021						
	RW	YMENG	09/22/2021						
	AD	BA1025	09/23/2021						
	RE	BA1025	09/23/2021						
ECN 10786PC					SCALE <b>1:8</b>		DOCUMENT NO. <b>MC-RMHD-1545-4</b>		
SIZE	Auth Group	INSL	MODEL			DRAWING			SHEET
<b>C</b>			VERSION	STATUS	REVISION	VERSION	STATUS	REVISION	1 OF 2
			00	RE	A	00	RE	A	

ITEM	PART NO.	DESCRIPTION	QTY.	WEIGHT	NOTE NO.
1	RMLPALLET	42 X 24 PALLET FOR LARGE RINGMOUNTS	1	10.83 LBS	
2	RMHD1545-4-1000	WELDMNT, 15"-45" HEAVY DUTY RING MOUNT	4	75.24 LBS	
3	RMHD1545-4-HK01	15"-45" RING MOUNT HARDWARE KIT	2	46.71 LBS	

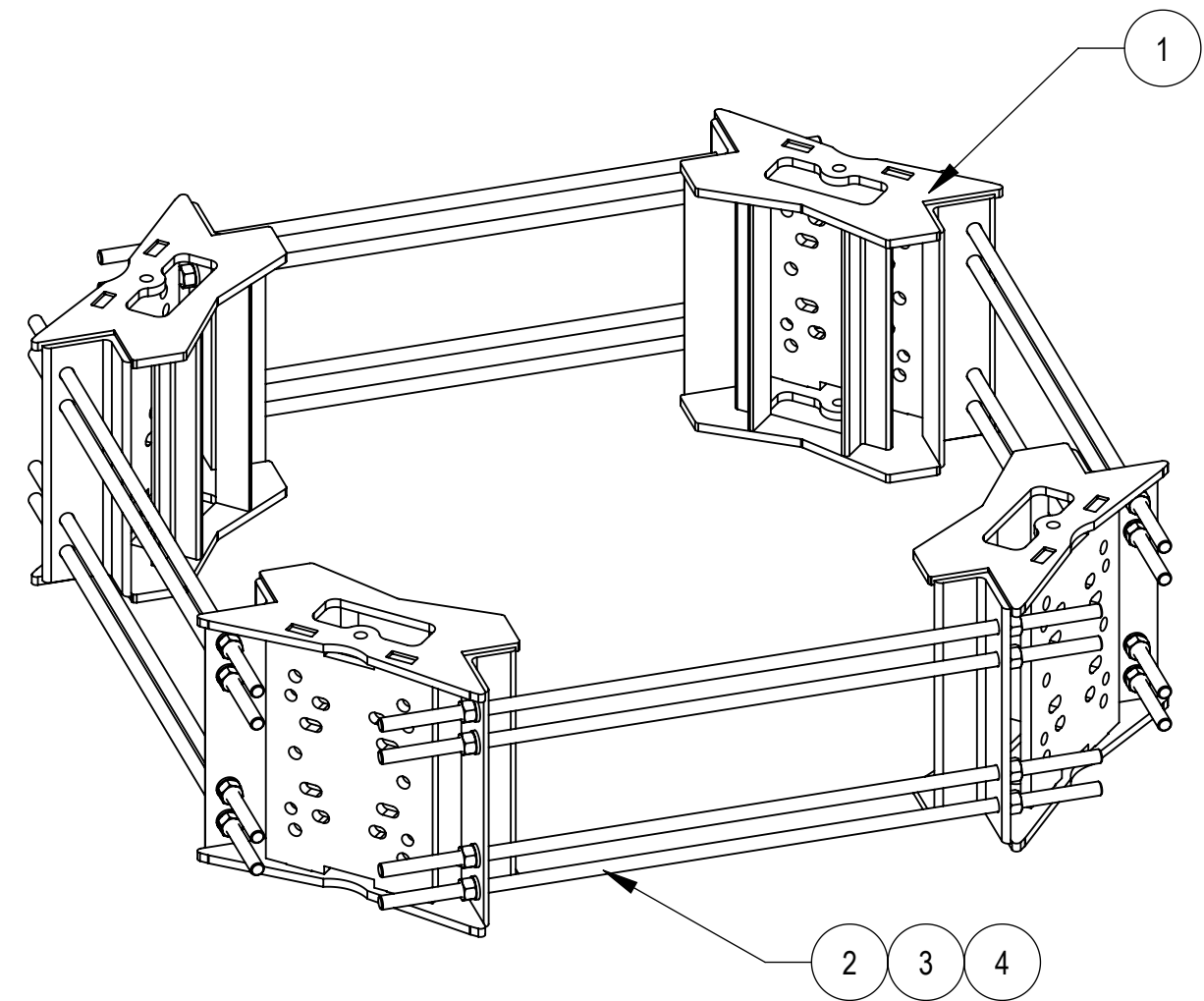
NOTES:




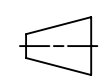
MAXIMUM MONOPOLE VIEW



MINIMUM MONOPOLE VIEW



ITEM	PART NO.	DESCRIPTION	QTY.	WEIGHT	NOTE NO.
1	RMHD1545-4-1000	WELDMNT, 15"-45" HEAVY DUTY RING MOUNT	4	75.24 LBS	
2	MT38440	3/4" X 40" GALV THREADED ROD GRADE B7	16	4.98 LBS	
3	GWL-06	3/4" GALV LOCK WASHER	32	0.04 LBS	
4	GN-06	3/4" GALV HEX NUT	32	0.15 LBS	

COMMSCOPE, INC. OF NORTH CAROLINA				
TITLE 4 SECTOR RING MOUNT, 15"-45" POLE				
SIZE <b>C</b>	SCALE <b>1:12</b>	DOCUMENT NO. <b>MC-RMHD-1545-4</b>		
 		DRAWING		SHEET 2 OF 2
		VERSION 00	STATUS RE	