

PM-SL2



Universal Taper Pipe Mount Slider Bracket for 2-3/8 in OD pipe

Product Classification

Product Type Pipe mount

General Specifications

Mounting Saddle mounts

Note One 96 in x 8 in panel antenna per pipe mount

Pipe, quantity 0

Tower Taper Tapered

Dimensions

Height 127 mm | 5 in

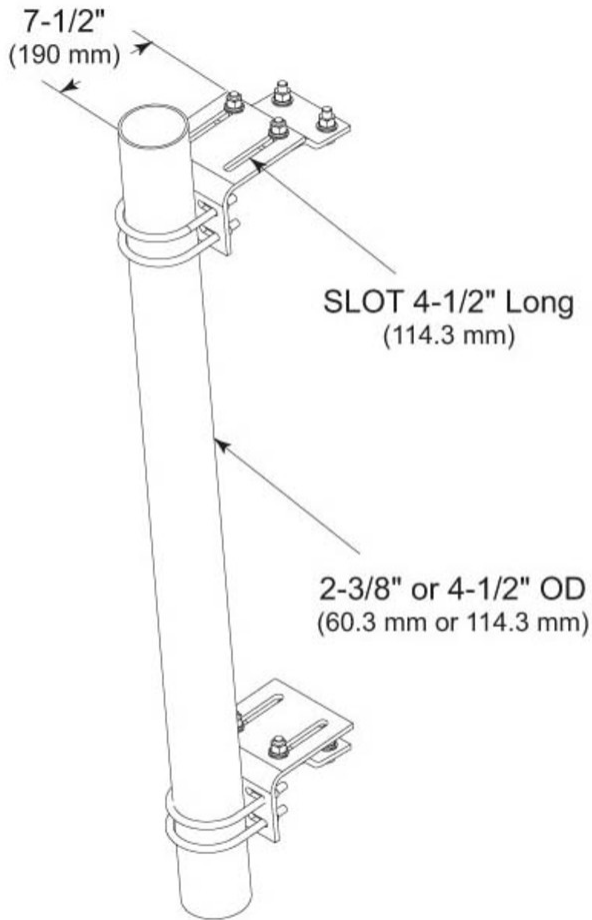
Width 152.4 mm | 6 in

Length 304.8 mm | 12 in

Pipe Outer Diameter 60.96 mm | 2.4 in

PM-SL2

Outline Drawing



Material Specifications

Material Type Hot dip galvanized steel

Mechanical Specifications

Wind Rating 120 mph (BWS) at 150 ft AGL

Wind Rating Test Method TIA/EIA-222

Packaging and Weights

Included Hardware | Sliding pipe mount brackets

Packaging quantity 2

PM-SL2

Weight, net

13.6 kg | 29.983 lb

Regulatory Compliance/Certifications

Agency**Classification**

ISO 9001:2015

Designed, manufactured and/or distributed under this quality management system

REACH-SVHC

Compliant as per SVHC revision on www.commscope.com/ProductCompliance

ROHS

Compliant

UK-ROHS

Compliant



* Footnotes

Wind Rating

BWS—Base Wind Speed; FBC—Florida Building Code