

# PM-SU2-72

---



## Universal Sliding Pipe Mount Kit for 2-3/8 in OD x 72 in pipe

### Product Classification

**Product Type** Pipe mount

### General Specifications

**Mounting** Angle 60°, 203.2 mm (8 in) | Angle 90°, 152.4 mm (6 in) | Straight or tapered legs up to 203.2 mm (8 in) OD

**Note** One 96 in x 8 in panel antenna per sector

**Pipe, quantity** 1

**Tower Taper** Tapered

### Dimensions

**Height** 1,828.8 mm | 72 in

**Width** 304.8 mm | 12 in

**Length** 304.8 mm | 12 in

**Pipe Length** 1,828.8 mm | 72 in

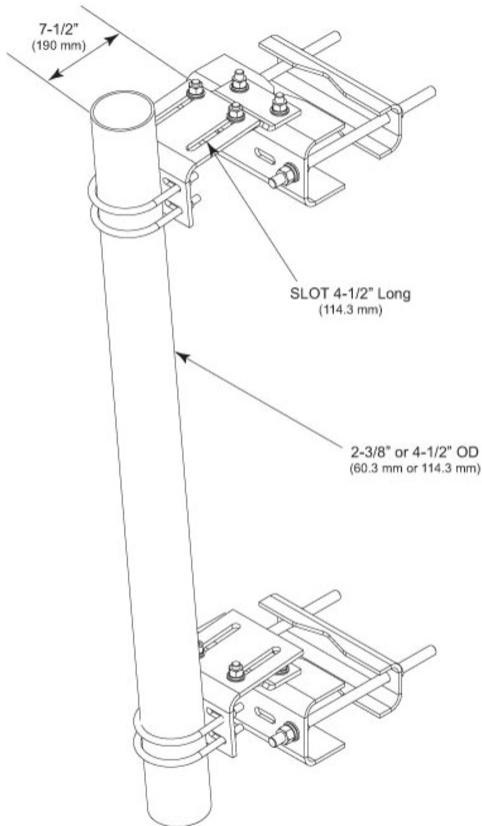
**Mounting Diameter, maximum** 203.2 mm | 8 in

**Mounting Diameter, minimum** 0 mm | 0 in

**Pipe Outer Diameter** 60.96 mm | 2.4 in

# PM-SU2-72

## Outline Drawing



## Material Specifications

**Material Type** Hot dip galvanized steel

## Mechanical Specifications

**Wind Rating** 120 mph (BWS) at 150 ft AGL

**Wind Rating Test Method** TIA/EIA-222

## Packaging and Weights

**Included** Pipe | Sliding pipe mount brackets | Universal saddle mount

**Packaging quantity** 1

# PM-SU2-72

---

**Weight, net** 45.8 kg | 100.972 lb

## Regulatory Compliance/Certifications

<b>Agency</b>	<b>Classification</b>
ISO 9001:2015	Designed, manufactured and/or distributed under this quality management system

## Included Products

MT-651	- Plain End Pipe, 2-3/8 in OD x 72 in .120" A500C 46Ksi
PM-SL2	- Universal Taper Pipe Mount Slider Bracket for 2-3/8 in OD pipe
SM-U2080	- Universal Saddle Mount for straight or tapered legs up to 8 in OD, 8 in angle 60°, or 6 in angle 90° (Kit of 2)

## \* Footnotes

**Wind Rating** BWS—Base Wind Speed; FBC—Florida Building Code