

HTT-B8AC000000U000



NOVUX™ Prodigy™ Hardened Tap Terminal, 70/30, 17 dB, One Input port, 8 drop ports and one Through port, Stubless, with universal mounting bracket

- NOVUX™ Hardened Multi-fiber Terminals incorporate hardened connector technology that is designed to withstand the rugged outside plant environment
- Hardened connectors are factory-integrated and environmentally sealed for use in optical drop cable deployments
- Plug-and-play adapter ports ensure rapid cable installment in the outside plant access section of the network
- NOVUX™ Prodigy™ HTT Tap terminals are available in 2-port, 4-port and 8-port models, depending on the number of drop ports required. Each model is available with a range of tap values depending on how much optical power should be dropped off at each location
- HTT tap terminals are stubless with a Prodigy™ Input port and a Through Port for non-terminating taps
- NOVUX™ Prodigy™ smaller terminal size for aesthetics and allowing installation in constrained spaces
- NOVUX™ Prodigy™ terminals are available in Black (RAL# 9005) or Gray (RAL# 7035)
- CommScope Product ID plate with QR code link to product documents and C-Track

Product Classification

Regional Availability	Asia EMEA Latin America North America
Product Type	Access terminal, with tap
Product Brand	NOVUX™
Product Series	HTT
Minimum Order Quantity	1

General Specifications

Cable Type	No cable (stubless)
Distribution Type	8-port tap
Drop Port Type	Hardened Prodigy SC/APC
Enclosure Color	Black (RAL 9005)
Forward Port Type	Hardened Prodigy SC/APC
Forward Port, quantity	1
Input Tap, quantity	1
Mounting	Handhole Pedestal Pole Strand
Port Type	Hardened Prodigy SC/APC

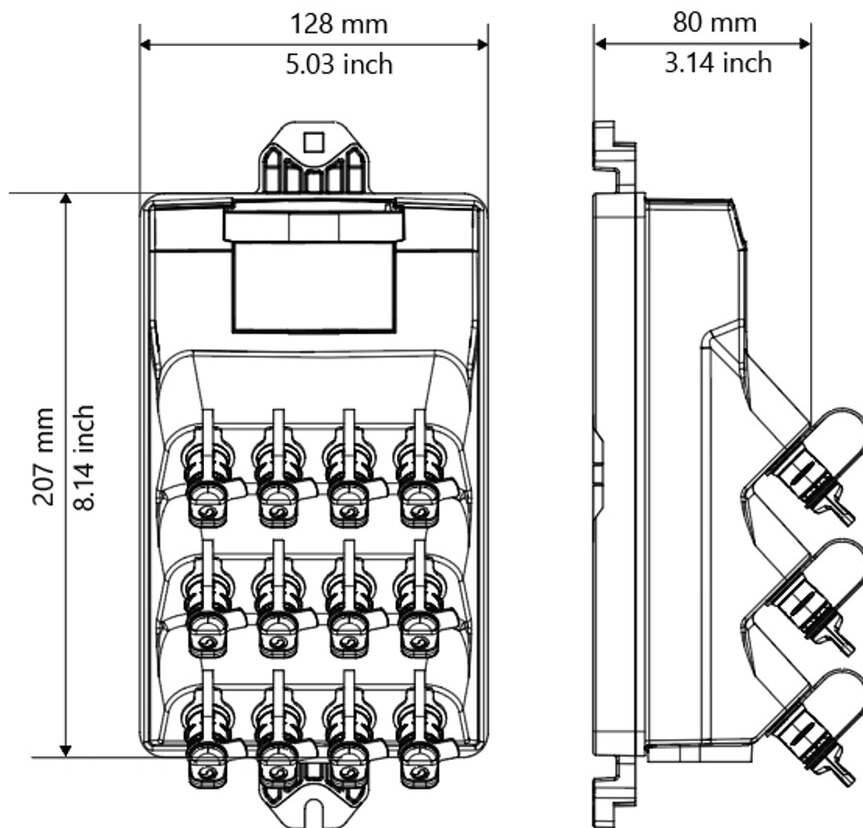
HTT-B8AC000000U000

Split Ratio	70/30
Stub Type	No tail
Tap Ports, quantity	8
Thru Tap, quantity	1

Dimensions

Height	80.4 mm 3.17 in
Width	157.1 mm 6.19 in
Length	256.6 mm 10.1 in

Dimension Drawing



Ordering Tree

HTT-B8AC000000U000

HXT- [] [] [] [] [] [] [] [] [] [] [] []

Housing color	
B	Black, RAL 9005
G	Gray, RAL 7035

Number of ports	
2	2 port
3	3 port
4	4 port
5	5 port
6	6 port
7	7 port
8	8 port
9	9 port
A	10 port
B	11 port
C	12 port

Adapter type	
H	Full-size
M	HMFOC jack (male/pinned)

Cable type	
A	Flat dielectric
B	Flat toneable 12f

Configuration index	
A	12f index only with 1f reverse
B	12f 1:4 splitter
C	12f 1:4 splitter with reverse
D	12f 1:8 splitter
E	12f 1:8 splitter with reverse
F	12f branching 2f
G	12f branching 3f
H	12f branching 4f
J	12f branching 5f

Customization	
000	Standard (stub first)
002	Plastic spool (stub first)

Accessories	
N	No accessories
U	Universal bracket
S	Strand bracket
P	Universal cable bracket

Stub end	
F	HMFOC plug (female/no pin)

Cable length	
0010	10 ft, 3 m
0050	50 ft, 15 m
0100	100 ft, 30 m
0150	150 ft, 45 m
0200	200 ft, 60 m
0250	250 ft, 76 m
0300	300 ft, 91 m
0350	350 ft, 106 m
0400	400 ft, 121 m
0450	400 ft, 137 m

0500	500 ft, 152 m
0600	600 ft, 182 m
0750	750 ft, 228 m
1000	1000 ft, 304 m
1250	1250 ft, 381 m
1500	1500 ft, 457 m
1750	1750 ft, 533 m
2000	2000 ft, 609 m

HTT- [] [] H [] 0 0000 0 [] 000

Housing color	
B	Black, RAL 9005
G	Gray, RAL 7035

Number of drop ports	
2	2 port
4	4 port
8	8 port

Adapter type	
H	Full-size

Tap configurations	
A	21 dB
B	19 dB
C	17 dB
D	15 dB
E	14 dB
F	13 dB
G	12 dB
H	11 dB
J	11 dB terminating
K	10 dB
L	9 dB
M	8 dB
N	7 dB
P	7 dB terminating
Q	5 dB
R	4 dB terminating
S	22 dB

Customization	
000	Standard

Accessories	
N	No accessories
U	Universal bracket
S	Strand bracket
P	Universal cable bracket

Stub end	
0	Stubless

Cable length	
0000	0 ft, 0 m

Cable type	
0	Stubless

Material Specifications

Enclosure Material Type

Hardened plastic

Optical Specifications

HTT-B8AC000000U000

Operating Wavelength Range	1260 – 1635 nm
Attenuation Terminal Connectors, maximum	0.4 dB
Tap Drop Loss, maximum	17.3 dB
Tap Thru Loss, maximum	2.8 dB
Tap Value	17 dB

Environmental Specifications

Operating Temperature	-40 °C to +65 °C (-40 °F to +149 °F)
Relative Humidity	5%–100%, condensing
Environmental Space	Above ground Below ground
Qualification Standards	IEC 60529, IP68 + 2 m waterhead IEC 61753-1, category G
UV Resistance	UV stabilized

Packaging and Weights

Included	Universal mounting bracket
Packaging quantity	1
Packaging Type	Box

Regulatory Compliance/Certifications

Agency	Classification
CHINA-ROHS	Below maximum concentration value
ISO 9001:2015	Designed, manufactured and/or distributed under this quality management system
REACH-SVHC	Compliant as per SVHC revision on www.commscope.com/ProductCompliance
ROHS	Compliant
UK-ROHS	Compliant

