

# HTT-B8AS000000N000



NOVUX™ Prodigy™ Hardened Tap Terminal, 90/10, 22 dB, One Input port, 8 drop ports and one Through port, Stubless

- NOVUX™ Hardened Multi-fiber Terminals incorporate hardened connector technology that is designed to withstand the rugged outside plant environment
- Hardened connectors are factory-integrated and environmentally sealed for use in optical drop cable deployments
- Plug-and-play adapter ports ensure rapid cable installment in the outside plant access section of the network
- NOVUX™ Prodigy™ HTT Tap terminals are available in 2-port, 4-port and 8-port models, depending on the number of drop ports required. Each model is available with a range of tap values depending on how much optical power should be dropped off at each location
- HTT tap terminals are stubless with a Prodigy™ Input port and a Through Port for non-terminating taps
- NOVUX™ Prodigy™ smaller terminal size for aesthetics and allowing installation in constrained spaces
- NOVUX™ Prodigy™ terminals are available in Black (RAL# 9005) or Gray (RAL# 7035)
- CommScope Product ID plate with QR code link to product documents and C-Track

## Product Classification

<b>Regional Availability</b>	Asia   EMEA   Latin America   North America
<b>Product Type</b>	Access terminal, with tap
<b>Product Brand</b>	NOVUX™
<b>Product Series</b>	HTT
<b>Minimum Order Quantity</b>	1

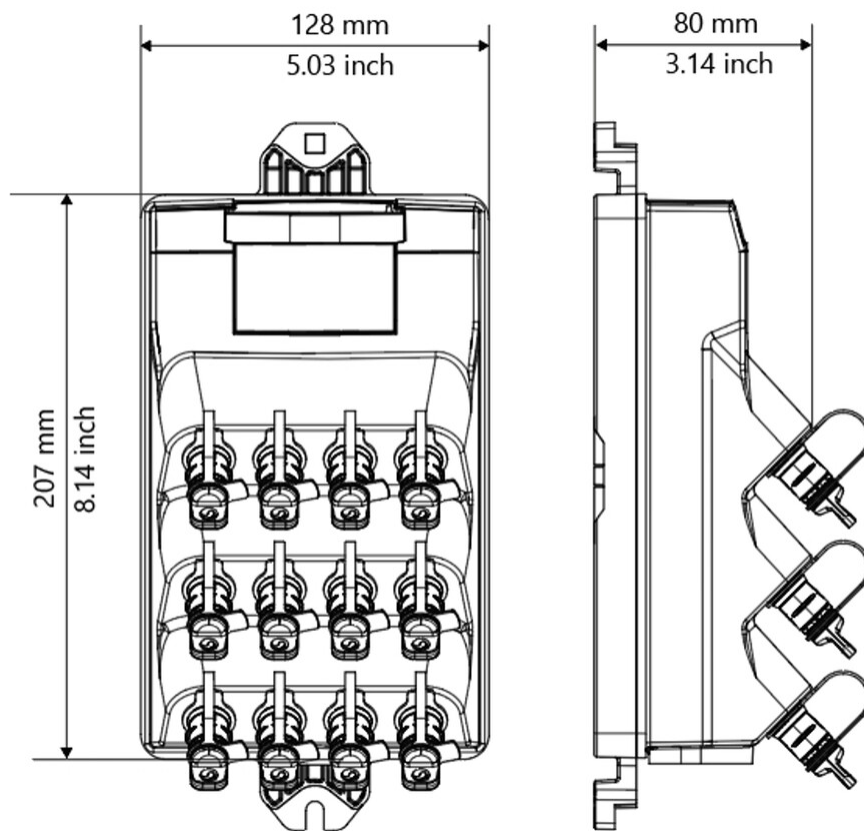
## General Specifications

<b>Cable Type</b>	No cable (stubless)
<b>Distribution Type</b>	8-port tap
<b>Drop Port Type</b>	Hardened Prodigy SC/APC
<b>Enclosure Color</b>	Black (RAL 9005)
<b>Forward Port Type</b>	Hardened Prodigy SC/APC
<b>Forward Port, quantity</b>	1
<b>Input Tap, quantity</b>	1
<b>Mounting</b>	Handhole   Pedestal   Pole   Strand
<b>Port Type</b>	Hardened Prodigy SC/APC
<b>Split Ratio</b>	90/10

# HTT-B8AS000000N000

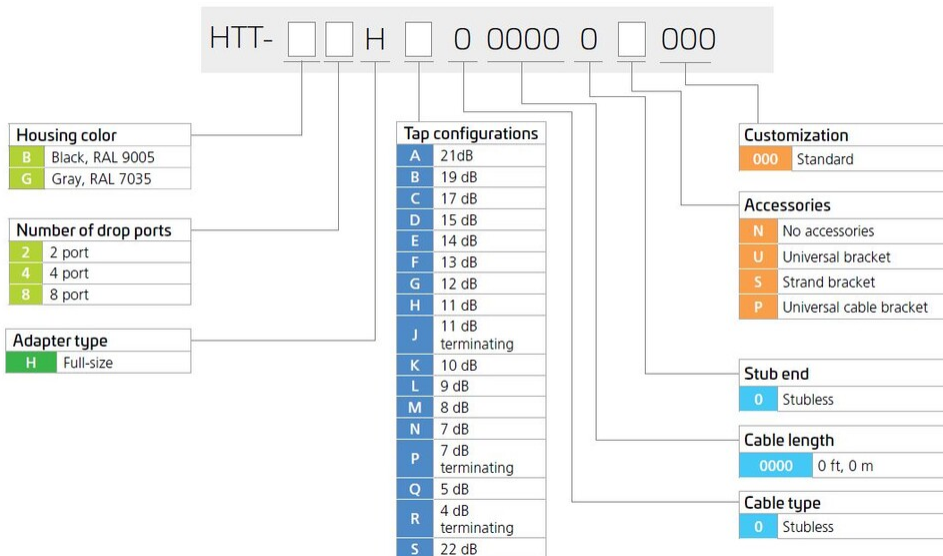
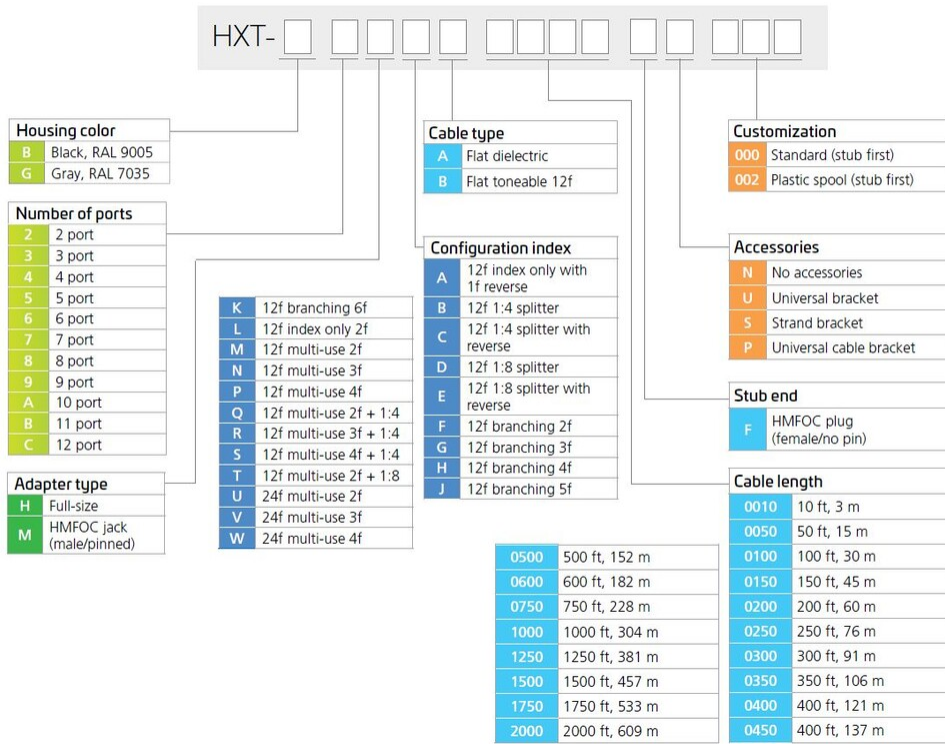
<b>Stub Type</b>	No tail
<b>Tap Ports, quantity</b>	8
<b>Thru Tap, quantity</b>	1
<b>Dimensions</b>	
<b>Height</b>	80.4 mm   3.17 in
<b>Width</b>	157.1 mm   6.19 in
<b>Length</b>	256.6 mm   10.1 in

## Dimension Drawing



## Ordering Tree

# HTT-B8AS000000N000



## Material Specifications

**Enclosure Material Type**

Hardened plastic

## Optical Specifications

# HTT-B8AS000000N000

---

<b>Operating Wavelength Range</b>	1260 – 1635 nm
<b>Attenuation Terminal Connectors, maximum</b>	0.4 dB
<b>Tap Drop Loss, maximum</b>	22.5 dB
<b>Tap Thru Loss, maximum</b>	1.6 dB
<b>Tap Value</b>	22 dB

## Environmental Specifications

<b>Operating Temperature</b>	-40 °C to +65 °C (-40 °F to +149 °F)
<b>Relative Humidity</b>	5%–100%, condensing
<b>Environmental Space</b>	Above ground   Below ground
<b>Qualification Standards</b>	IEC 60529, IP68 + 2 m waterhead   IEC 61753-1, category G
<b>UV Resistance</b>	UV stabilized

## Packaging and Weights

<b>Packaging quantity</b>	1
<b>Packaging Type</b>	Box

## Regulatory Compliance/Certifications

<b>Agency</b>	<b>Classification</b>
CHINA-ROHS	Below maximum concentration value
ISO 9001:2015	Designed, manufactured and/or distributed under this quality management system
REACH-SVHC	Compliant as per SVHC revision on <a href="http://www.commscope.com/ProductCompliance">www.commscope.com/ProductCompliance</a>
ROHS	Compliant
UK-ROHS	Compliant

