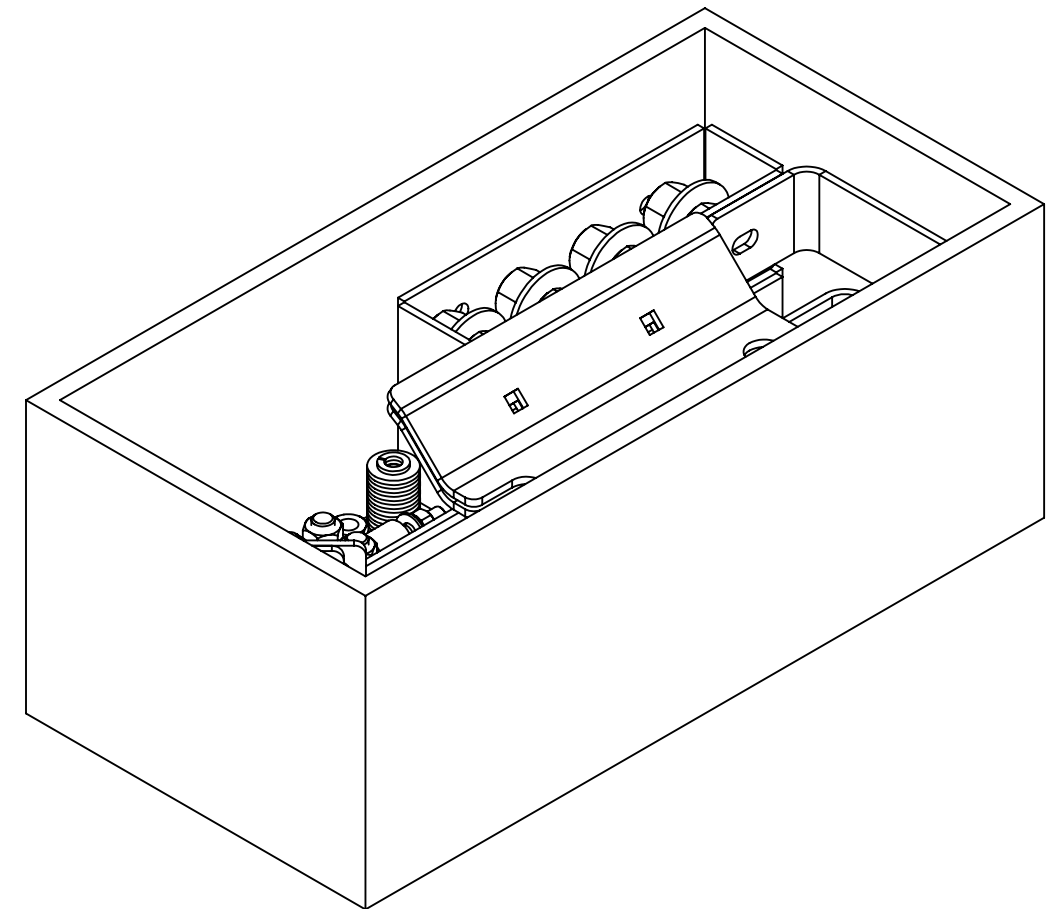


ITEM	PART NO.	DESCRIPTION	QTY.	WEIGHT	NOTE NO.
1	CR2080A	WOOD CRATE 19"x9"x7-1/2" ID	1	6.42 LBS	
2	MTC332643	TRANSITION BRACKET	2	3.61 LBS	
3	MTC332641	FRONT RRU BRACE	1	1.15 LBS	
4	MTC332613	SPACER FOR 3/8" BOLT	1	0.08 LBS	1
5	GB-03225	3/8" X 2-1/4" GALV BOLT KIT	1	0.09 LBS	1
6	GWL-04	1/2" GALV LOCK WASHER	9	0.01 LBS	1
7	GN-04	1/2" GALV HEX NUT	9	0.04 LBS	1
8	GB-03125	3/8" X 1-1/4" GALV BOLT KIT	8	0.06 LBS	1
9	MTC332647	M-10 X 75mm Hex Bolt SS	4	0.12 LBS	1
10	MTC332648	M-10 X 55mm Hex Bolt SS	4	0.10 LBS	1
11	MTC978704	M10 SS LOCK WASHER	8	0.01 LBS	1
12	MTC978706	SS Washer Flat, M10	8	0.02 LBS	1
13	MT38416	3/4" X 16" GALV THREADED ROD	4	1.99 LBS	
14	MTC332651	RRU WOOD ARM MOUNT	4	1.44 LBS	
15	MTC332652	POLE MOUNT	2	3.43 LBS	
16	MTF154402	3/8" X 1" GALV SHORT SHANK CARRIAGE BOLT	8	0.04 LBS	1
17	GWF-03	3/8" GALV FLAT WASHER	20	0.01 LBS	1
18	GWL-03	3/8" GALV LOCK WASHER	8	0.01 LBS	1
19	GN-03	3/8" GALV HEX NUT	8	0.02 LBS	1
20	GB-04125	1/2" X 1-1/4" GALV BOLT KIT	8	0.12 LBS	1
21	GWF-06	3/4" GALV FLAT WASHER	8	0.10 LBS	1
22	GWL-06	3/4" GALV LOCK WASHER	8	0.04 LBS	1
23	GN-06	3/4" GALV HEX NUT	8	0.12 LBS	1
24	DOCUMENT RECORD	PLACE DRAWING MTC3326DA2W IN BOX	1		
25	MTC332654	RIGHT RRU BRACKET	2	3.22 LBS	
26	MTC332653	LEFT RRU BRACKET	2	3.22 LBS	

REVISIONS				
REV	ECN	DESCRIPTION	BY	DATE
A	8000007246	INITIAL RELEASE	RJC	03/10/15
B	8000008750	CHG 3/8 SS WASHERS TO M10	MSM	06/24/15
C	8000009992	REPLACED MTC332640 WITH MTC332653, REPLACED MTC332644 WITH MTC332654	RDLS	11/17/2015

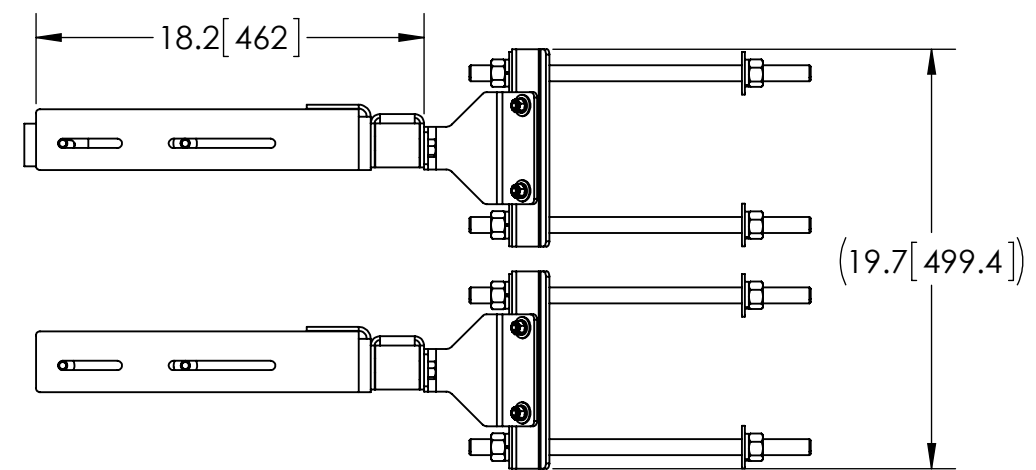
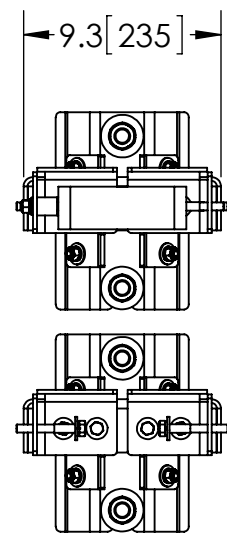
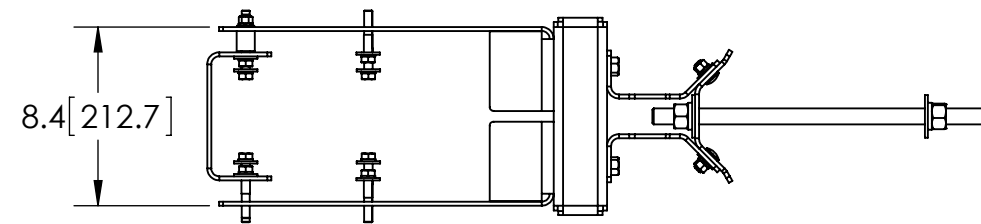
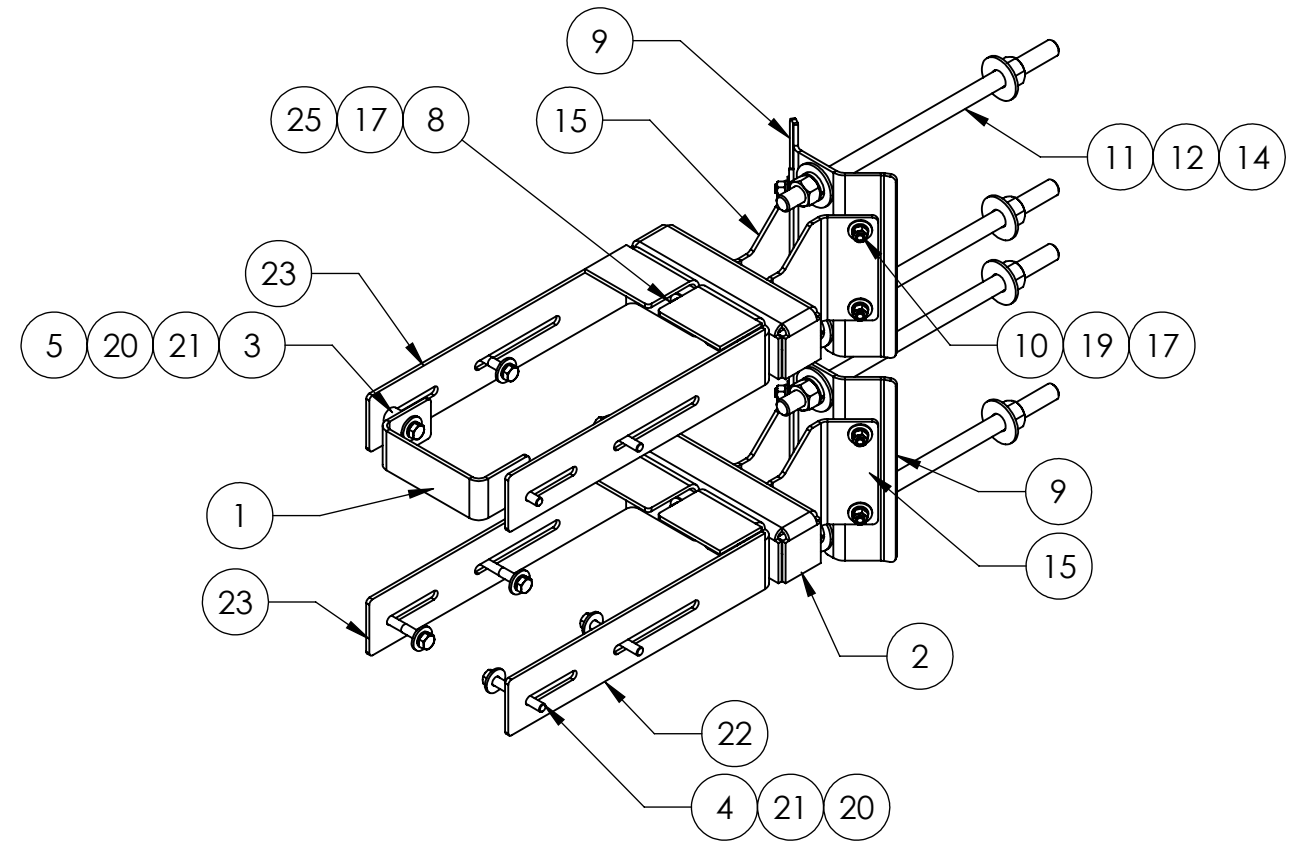
B
B
C
C



NOTES:
1. PLACE LOOSE HARDWARE IN POLYBAGS.
2. CUSTOMER ASSEMBLY DRAWING SHEET 2.
3. IN USE DRAWING SHEET 3 AND 4.

These drawings and specifications are the proprietary property of CommScope Inc. and may be used only for the specific purpose authorized in writing by CommScope Inc.		DRAWN BY: MSM	SHEET: 1 of 4	PART NUMBER: MTC3326DA2W
ALL DIMENSIONS ARE IN INCHES U.O.S. TOLERANCES UNLESS OTHERWISE SPECIFIED: .X = ± .12 ANGLES ±2° .XX = ± .06 FRACTIONS ±1/32 .XXX = ± .03		CHECKED BY: TP	SCALE: NTS	DESCRIPTION: DUAL RRU/A2 WOOD POLE MOUNT KIT
REMOVE BURRS AND BREAK EDGES .005		DATE: 04/08/14	MATERIAL: A36	DRAWING TYPE: ASSEMBLY DRAWING
DO NOT SCALE THIS PRINT		REVISION: C	FINISH: GALV A123	 Hickory, NC 28602 U.S.A.
			WEIGHT: 54.53 LBS	

ITEM	PART NO.	DESCRIPTION	QTY.	WEIGHT	NOTE NO.
1	MTC332641	FRONT RRU BRACE	1	1.15 LBS	
2	MTC332643	TRANSITION BRACKET	2	3.61 LBS	
3	MTC332613	SPACER FOR 3/8" BOLT	1	0.08 LBS	3
4	MTC332647	M-10 X 75mm Hex Bolt SS	4	0.12 LBS	
5	MTC332648	M-10 X 55mm Hex Bolt SS	4	0.10 LBS	
6	GWL-04	1/2" GALV LOCK WASHER	4	0.01 LBS	
7	GN-04	1/2" GALV HEX NUT	4	0.04 LBS	
8	GB-03125	3/8" X 1-1/4" GALV BOLT KIT	8	0.06 LBS	
9	MTC332652	POLE MOUNT	2	3.43 LBS	
10	MTF154402	3/8" X 1" GALV SHORT SHANK CARRIAGE BOLT	8	0.04 LBS	
11	MT38416	3/4" X 16" GALV THREADED ROD	4	1.99 LBS	
12	GWF-06	3/4" GALV FLAT WASHER	8	0.10 LBS	
13	GWL-06	3/4" GALV LOCK WASHER	8	0.04 LBS	
14	GN-06	3/4" GALV HEX NUT	8	0.12 LBS	
15	MTC332651	RRU WOOD ARM MOUNT	4	1.44 LBS	
16	GB-04125	1/2" X 1-1/4" GALV BOLT KIT	4	0.12 LBS	
17	GWF-03	3/8" GALV FLAT WASHER	16	0.01 LBS	3
18	GWL-03	3/8" GALV LOCK WASHER	8	0.01 LBS	
19	GN-03	3/8" GALV HEX NUT	8	0.02 LBS	
20	MTC978704	M10 SS LOCK WASHER	8	0.01 LBS	
21	MTC978706	SS Washer Flat, M10	8	0.02 LBS	
22	MTC332654	RIGHT RRU BRACKET	2	3.22 LBS	
23	MTC332653	LEFT RRU BRACKET	2	3.22 LBS	
24	GWF-03	3/8" GALV FLAT WASHER	1	0.01 LBS	
25	GWF-03	3/8 GALVANIZED FLAT WASHER	4	0.01 LBS	

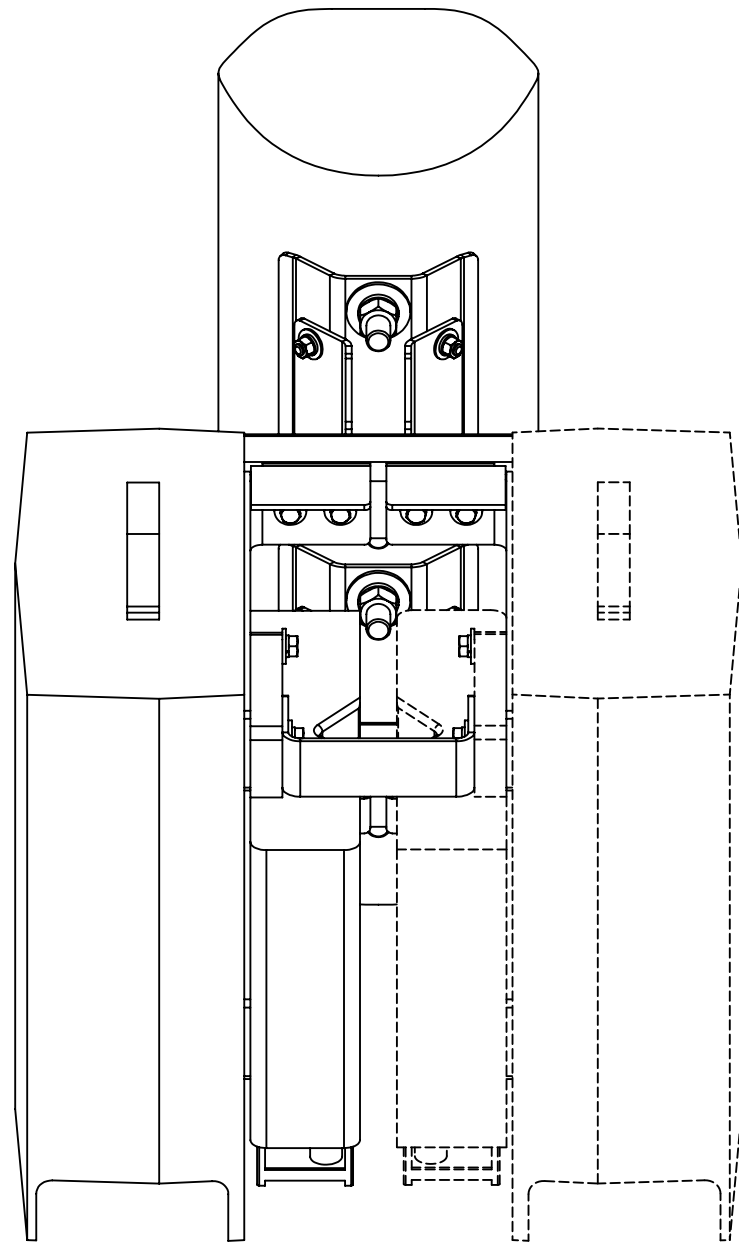


NOTES:

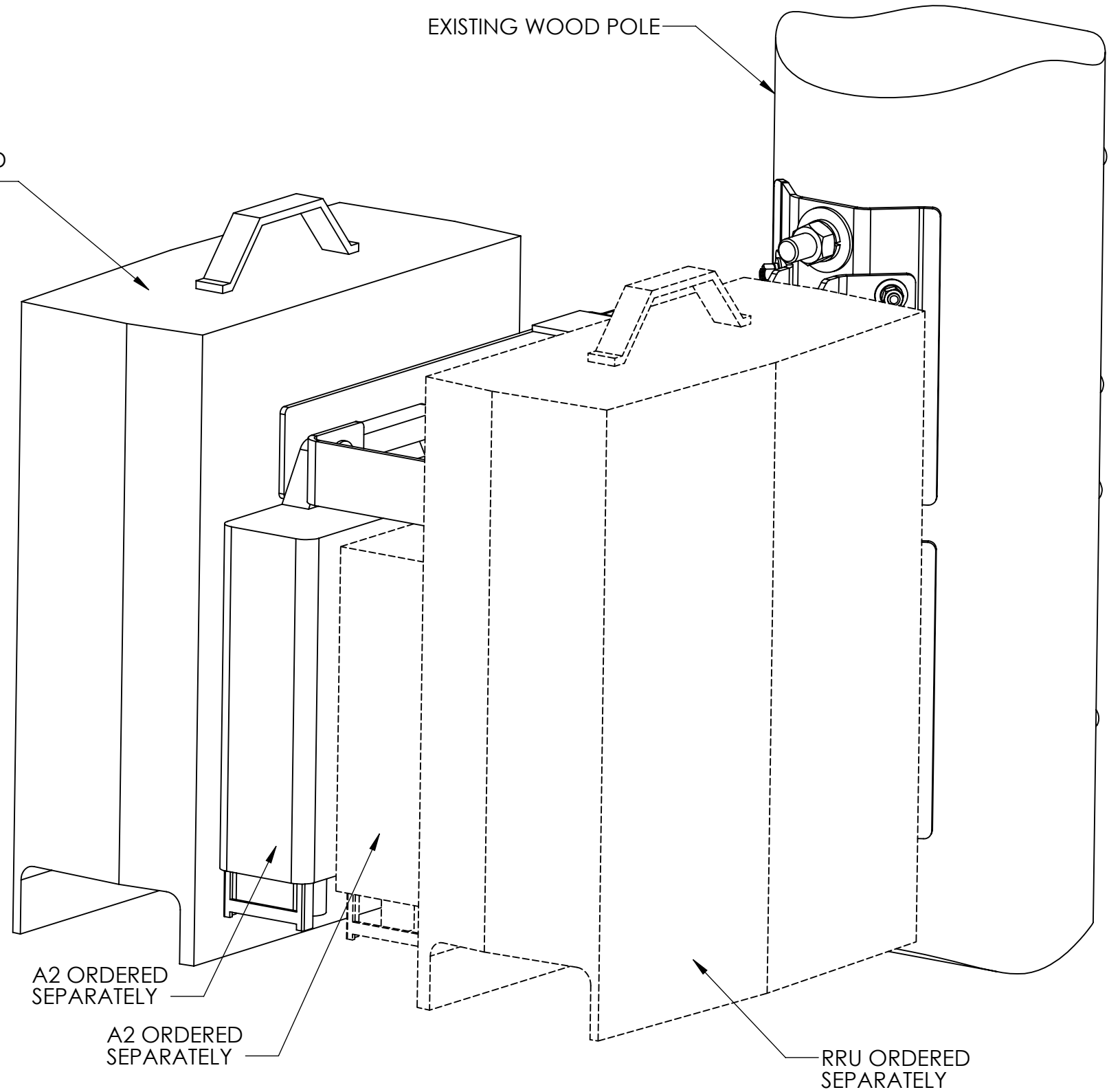
1. ALL METRIC DIMENSIONS ARE IN BRACKETS.
2. FITS UP TO 10" DIAMETER WOOD POLE.
3. INSTALL WHEN USING SINGLE RRU/A2 SET-UP.

These drawings and specifications are the proprietary property of CommScope Inc. and may be used only for the specific purpose authorized in writing by CommScope Inc. ALL DIMENSIONS ARE IN INCHES U.O.S. TOLERANCES UNLESS OTHERWISE SPECIFIED: .X = ± .12 ANGLES ±2° .XX = ± .06 FRACTIONS ±1/32 .XXX = ± .03 REMOVE BURRS AND BREAK EDGES .005 DO NOT SCALE THIS PRINT	DRAWN BY: MSM	SHEET: 2 of 4	PART NUMBER: MTC3326DA2W
	CHECKED BY: TP	SCALE: NTS	DESCRIPTION: Dual RRU/A2 WOOD POLE Mount Kit
	DATE: 04/08/14	MATERIAL: A36	DRAWING TYPE: ASSEMBLY DRAWING
	REVISION: C	FINISH: GALV A123	COMMSCOPE® Hickory, NC 28602 U.S.A.
	WEIGHT: 47.25 LBS		

IN-USE VIEWS



RRU ORDERED SEPARATELY



EXISTING WOOD POLE

A2 ORDERED SEPARATELY

A2 ORDERED SEPARATELY

RRU ORDERED SEPARATELY

These drawings and specifications are the proprietary property of CommScope Inc. and may be used only for the specific purpose authorized in writing by CommScope Inc.

ALL DIMENSIONS ARE IN INCHES U.S.S.
TOLERANCES UNLESS OTHERWISE SPECIFIED:
.X = ± .12 ANGLES ±2°
.XX = ± .06 FRACTIONS ±1/32
.XXX = ± .03

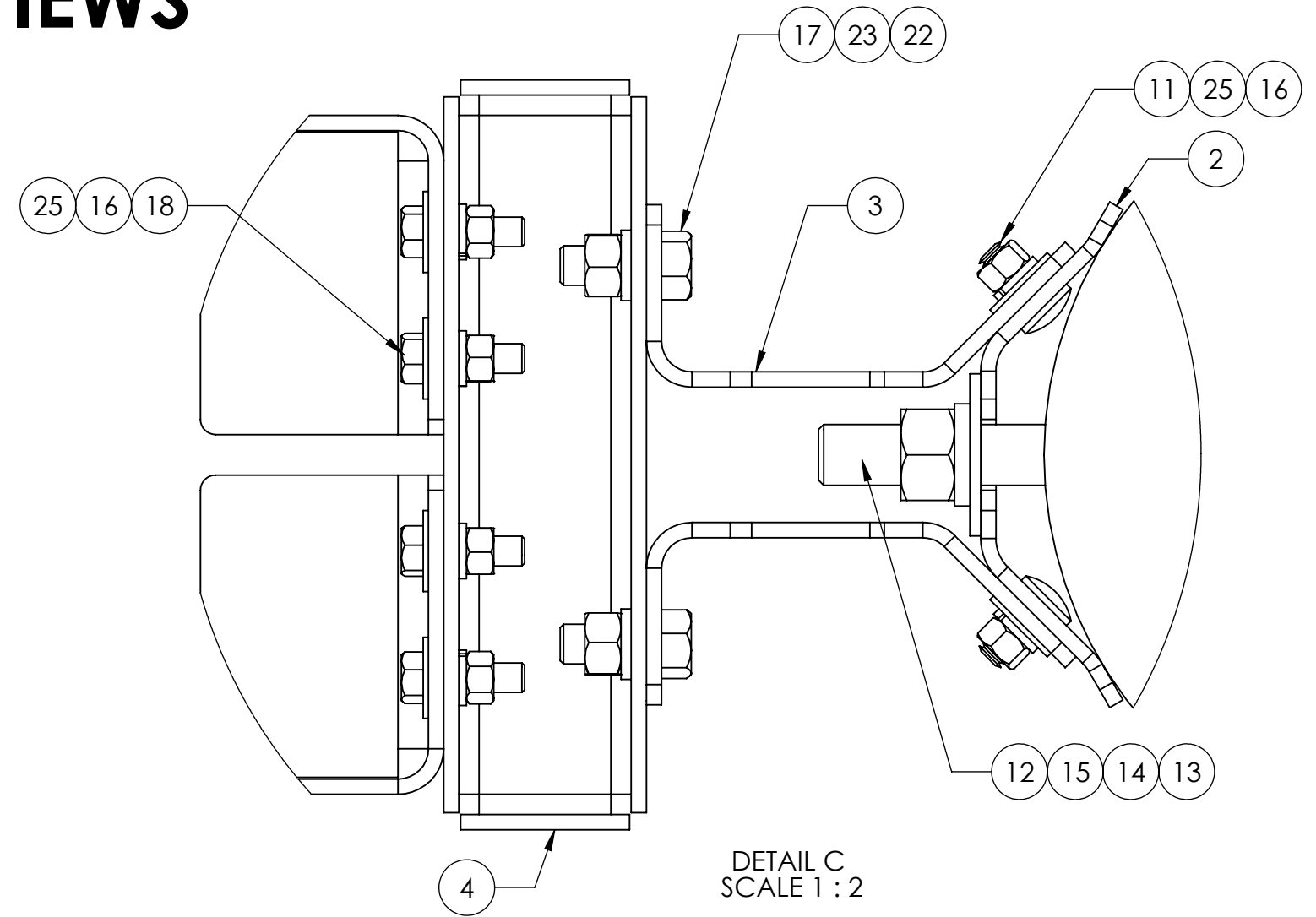
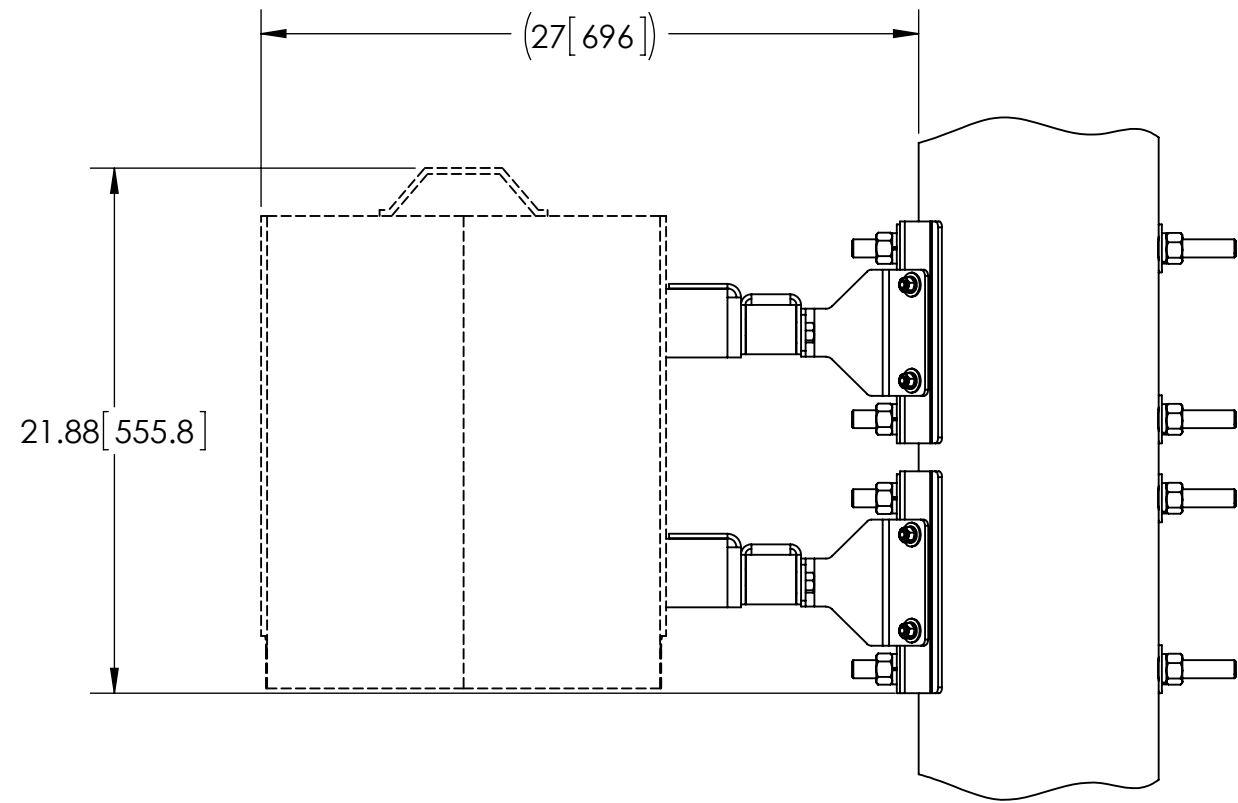
REMOVE BURRS AND BREAK EDGES .005

DO NOT SCALE THIS PRINT

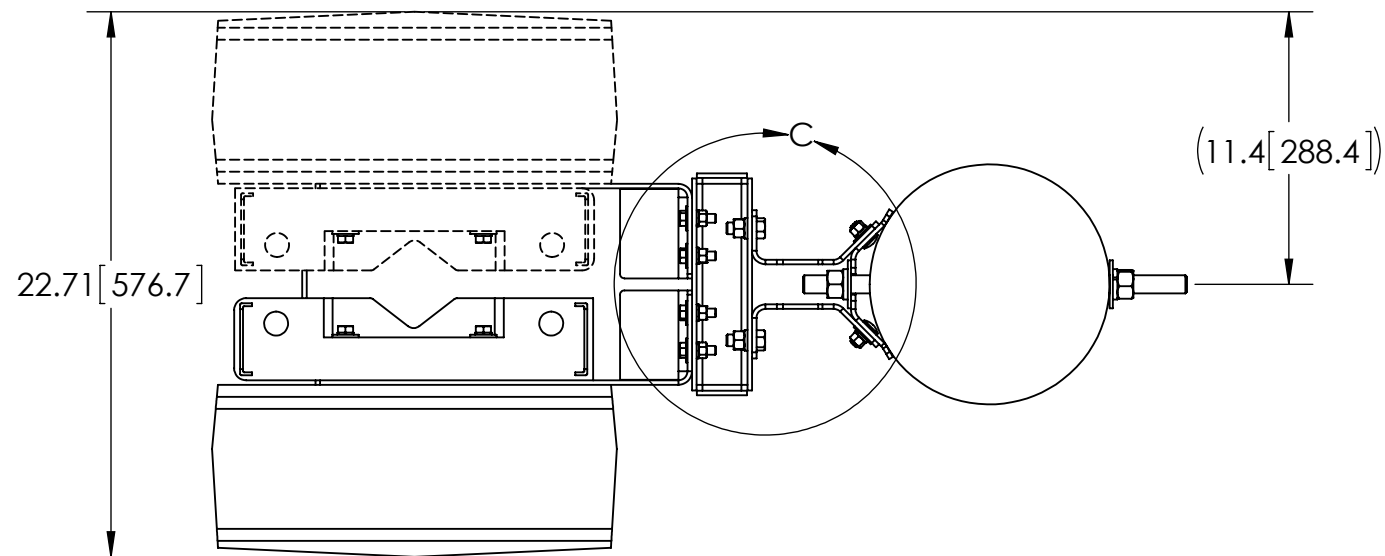
DRAWN BY: MSM	SHEET: 3 of 4
CHECKED BY: TP	SCALE: NTS
DATE: 04/08/14	MATERIAL: A36
REVISION: C	FINISH: GALV A123
	WEIGHT: 47.25 LBS

PART NUMBER: MTC3326DA2W
DESCRIPTION: Dual RRU/A2 WOOD POLE Mount Kit
DRAWING TYPE: ASSEMBLY DRAWING
COMMScope® Hickory, NC 28602 U.S.A.

IN-USE VIEWS



DETAIL C
SCALE 1 : 2



ITEM	PART NO.	DESCRIPTION	QTY.	WEIGHT
2	MTC332652	POLE MOUNT	2	3.43 LBS
3	MTC332651	RRU WOOD ARM MOUNT	4	1.44 LBS
4	MTC332643	TRANSITION BRACKET	2	3.61 LBS
11	MTF154402	3/8" X 1" GALV SHORT SHANK CARRIAGE BOLT	8	0.04 LBS
12	MT38416	3/4" X 16" GALV THREADED ROD	4	1.99 LBS
13	GWF-06	3/4" GALV FLAT WASHER	8	0.10 LBS
14	GWL-06	3/4" GALV LOCK WASHER	8	0.04 LBS
15	GN-06	3/4" GALV HEX NUT	8	0.12 LBS
16	GWF-03	3/8" GALV FLAT WASHER	16	0.01 LBS
17	GB-04125	1/2" X 1-1/4" GALV BOLT KIT	4	0.12 LBS
18	GB-03125	3/8" X 1-1/4" GALV BOLT KIT	8	0.06 LBS
22	GWL-04	1/2" GALV LOCK WASHER	4	0.01 LBS
23	GN-04	1/2" GALV HEX NUT	4	0.04 LBS
25	GWF-03	3/8 GALVANIZED FLAT WASHER	12	0.01 LBS

These drawings and specifications are the proprietary property of CommScope Inc. and may be used only for the specific purpose authorized in writing by CommScope Inc.

ALL DIMENSIONS ARE IN INCHES U.O.S.
TOLERANCES UNLESS OTHERWISE SPECIFIED:
.X = ± .12 ANGLES ±2°
.XX = ± .06 FRACTIONS ±1/32
.XXX = ± .03

REMOVE BURRS AND BREAK EDGES .005

DO NOT SCALE THIS PRINT

DRAWN BY: MSM
CHECKED BY: TP
DATE: 04/08/14
REVISION: C

SHEET: 4 of 4
SCALE: NTS
MATERIAL: A36
FINISH: GALV A123
WEIGHT: 47.25 LBS

PART NUMBER: MTC3326DA2W
DESCRIPTION: Dual RRU/A2 WOOD POLE Mount Kit
DRAWING TYPE: ASSEMBLY DRAWING

COMMSCOPE®
Hickory, NC 28602 U.S.A.