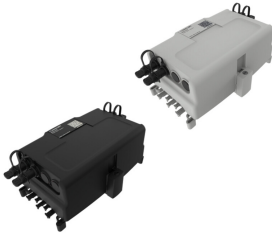


HSC1

Base Product



NOVUX™ Hardened Terminal, Prodigy Fiber (HSC1 series), factory-sealed

- NOVUX™ Hardened Multi-fiber Terminals incorporate hardened connector technology that is designed to withstand the rugged outside plant environment
- Hardened connectors are factory-integrated and environmentally sealed for use in optical drop cable deployments
- Plug and play adapter ports ensure rapid cable installment in the outside plant access section of the network
- NOVUX™ smaller terminal size for aesthetics and allowing installation in constrained spaces
- NOVUX™ terminals are available in Black (RAL# 9005) or Gray (RAL# 7035)
- CommScope Product ID plate with QR code link to product documents and C-Track

NOVUX hardened terminals are designed to adapt to your application—sharing connection capabilities, a unique product information system, a mounting platform, and customer configurability. While NOVUX hardened terminals are helping build your network, they're building your long-term profitability, because one terminal works for all your applications in all your deployments.

The built-in mounting tabs and mounting strap features easy, direct mounting onto a strand, flat surface, pole, pedestal, or within a hand hole. Alternatively, to ease installation and maintenance, CommScope's universal mounting bracket can be used in all mounting applications. With one common platform, installation across the series is easy and efficient and is backed by consistent documentation and training. Each NOVUX hardened terminal comes with a QR code that allows field installers to access CommScope's cTrak® app. With one click, cTrak provides a wealth of product information, specifications, installation instructions, videos, schematics, and test results. NOVUX hardened terminals offer an optional customer-configurable ID plate, for ease of network recordkeeping, and clarity for multiple operators that share locations.

Product Classification

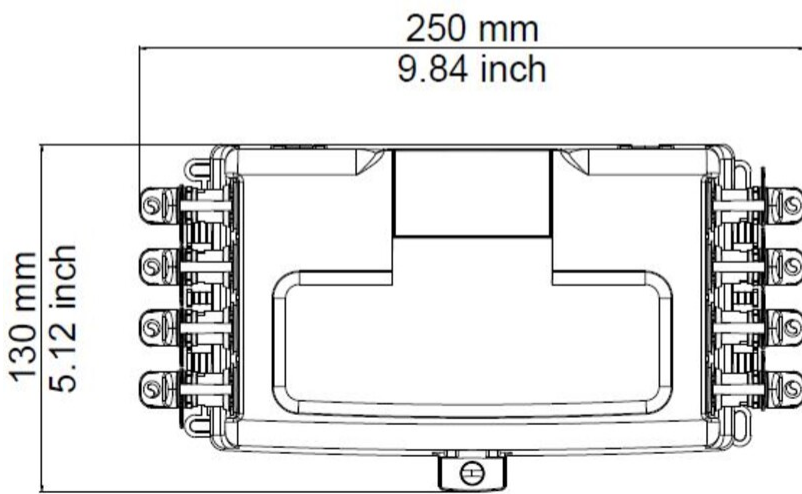
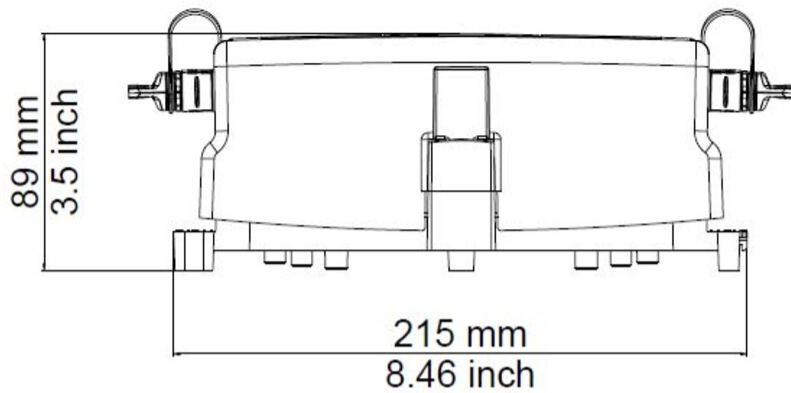
Regional Availability	Asia Australia/New Zealand EMEA Latin America North America
Product Type	Access terminal, with splitter/tap Access terminal, without splitter/tap
Product Brand	NOVUX™
Product Series	HSC1

General Specifications

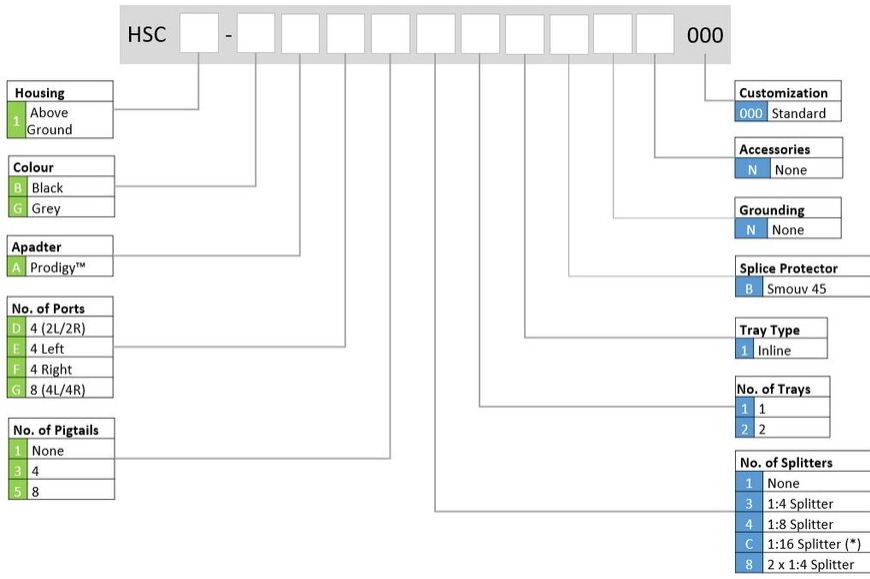
Distribution Type	4 ports 8 ports
Port Type	Hardened Prodigy SC/APC

Dimension Drawing

HSC1



Ordering Tree



(*) 8 Legs SC/APC, 8 legs unterminated 2 trays

Regulatory Compliance/Certifications

Agency

ISO 9001:2015

Classification

Designed, manufactured and/or distributed under this quality management system