

HSC1-BAG1811BNN000



NOVUX™ Prodigy™ Hardened Standard Closure, 8 ports, 2x1:4 PLC Splitter, 1 Tray, Black

- The NOVUX™ HSC1 Prodigy™ closure is optimized for building façade applications where as many as eight customers can be connector using hardened Prodigy™ drop cables
- NOVUX™ Prodigy™ smaller terminal size for aesthetics and allowing installation in constrained spaces
- Hardened connectors are factory-integrated and environmentally sealed for use in optical drop cable deployments
- Can be used in conjunction with Commscope retractable cable or Micro Structure cable
- Locking mechanism included for extra security
- Plug-and-play adapter ports ensure rapid cable installment in the outside plant access section of the network
- CommScope Product ID plate with QR code link to product documents and C-Track
- NOVUX™ Prodigy™ terminals are available in Black (RAL# 9005) or Gray (RAL# 7035)

Product Classification

Regional Availability	EMEA
Regional Availability Note	Contact your local CommScope representative for specific availability
Product Type	Access terminal, without splitter/tap
Product Brand	NOVUX™
Product Series	HSC1
Minimum Order Quantity	1

General Specifications

Cable Capacity, Branch	2 Round 8.0–12.0 mm (0.31–0.47 in)
Cable Capacity, Drop	6 Round 3.0–6.0 mm (0.12–0.23 in) for pre-connectorized cables 6 Round 3.0–7.0 mm (0.12–0.27 in)
Cable Capacity, Feeder	2 Round 8.0–12.0 mm (0.31–0.47 in)
Cable Sealing Type	Gasket/grommet configuration
Distribution Type	8 ports
Drop Port Type	Hardened Prodigy SC/APC
Drop Port, quantity	8
Enclosure Color	Black (RAL 9005)
Mounting	Facade Wall
Port Type	Hardened Prodigy SC/APC

HSC1-BAG1811BNN000

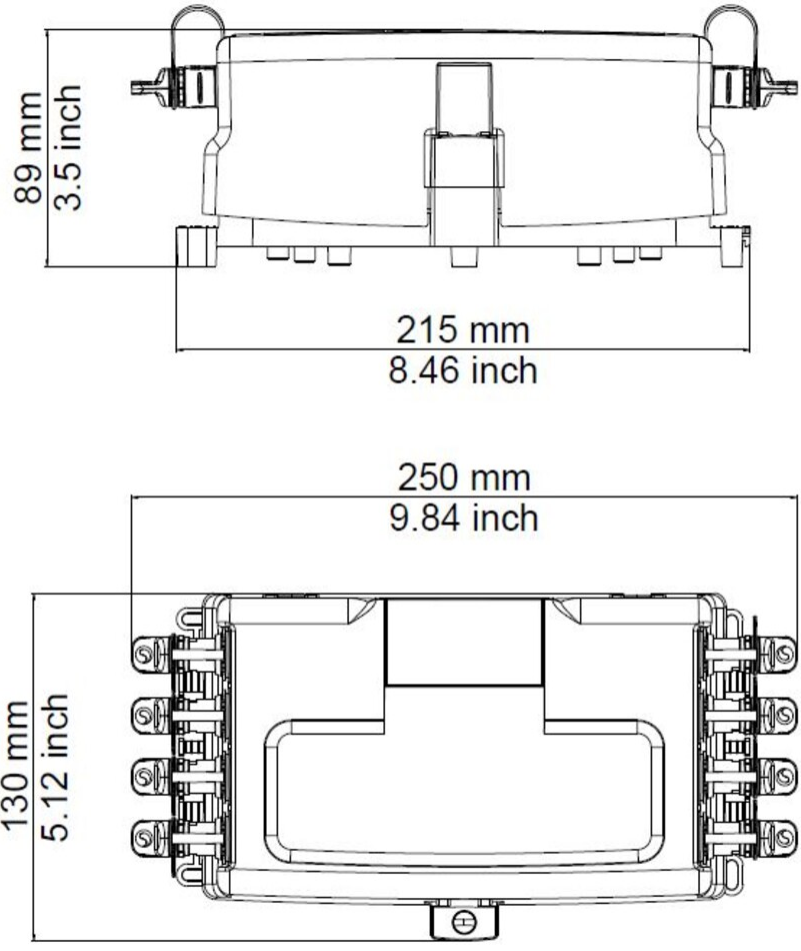
Port, quantity	4
Splice Tray Included, quantity	1
Splice Tray Type Included	6-way, heat shrink
Splicing Capacity, maximum	6
Splicing Type, Supported	Single fusion
Split Ratio	Symmetrical
Splitter Type	1 x 4
Splitter, quantity	2

Dimensions

Height	89 mm 3.504 in
Width	130 mm 5.118 in
Length	215 mm 8.465 in

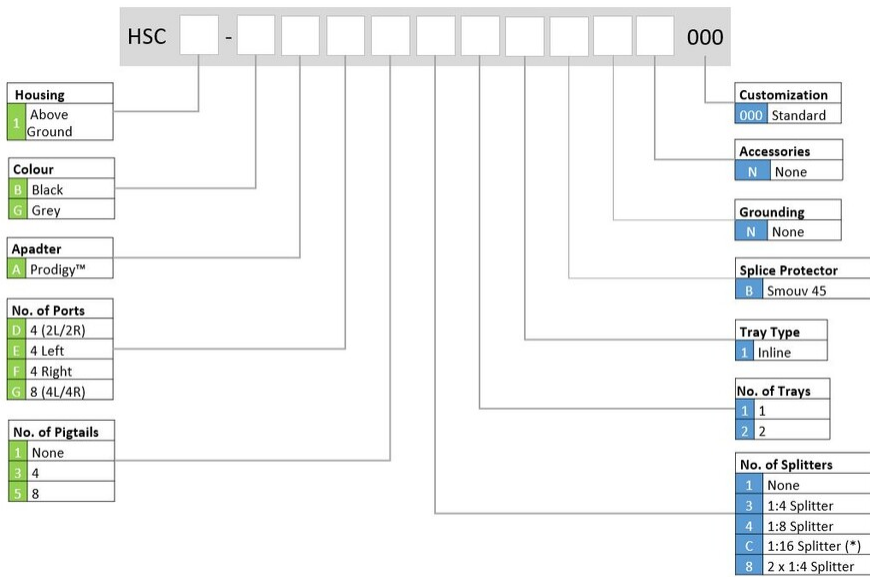
Dimension Drawing

HSC1-BAG1811BNN000



Ordering Tree

HSC1-BAG1811BNN000



(*) 8 Legs SC/APC, 8 legs unterminated 2 trays

Material Specifications

Enclosure Material Type Hardened plastic

Optical Specifications

Fiber Type G.657.A1 | G.657.A2 | G.657.B3

Operating Wavelength Range 1260 – 1635 nm

Attenuation Splitter, maximum 7.1 dB

Return Loss, Connector, typical 55 dB

Environmental Specifications

Operating Temperature -40 °C to +65 °C (-40 °F to +149 °F)

Relative Humidity 5%–100%, condensing

Environmental Space Facade | Outdoor

Qualification Standards IEC 61753-1, category A -free breathing terminal- | IP55 (IEC 60529 and IEC 63334) -free breathing terminal-

UV Resistance UV stabilized

Packaging and Weights

Packaging quantity 1

Packaging Type Box

HSC1-BAG1811BNN000

Weight, net

0.595 kg | 1.312 lb

Regulatory Compliance/Certifications

Agency

Classification

CHINA-ROHS

Below maximum concentration value

ISO 9001:2015

Designed, manufactured and/or distributed under this quality management system

REACH-SVHC

Compliant as per SVHC revision on www.commscope.com/ProductCompliance

ROHS

Compliant

UK-ROHS

Compliant

