

# HSC1-GAF1311BNN000



## NOVUX™ Prodigy™ Hardened Standard Closure, 4 ports Right Hand Side, 1:4 PLC Splitter, 1 Tray, Gray

- The NOVUX™ HSC1 Prodigy™ closure is optimized for building façade applications where as many as eight customers can be connector using hardened Prodigy™ drop cables
- NOVUX™ Prodigy™ smaller terminal size for aesthetics and allowing installation in constrained spaces
- Hardened connectors are factory-integrated and environmentally sealed for use in optical drop cable deployments
- Can be used in conjunction with Commscope retractable cable or Micro Structure cable
- Locking mechanism included for extra security
- Plug-and-play adapter ports ensure rapid cable installment in the outside plant access section of the network
- CommScope Product ID plate with QR code link to product documents and C-Track
- NOVUX™ Prodigy™ terminals are available in Black (RAL# 9005) or Gray (RAL# 7035)

## Product Classification

<b>Regional Availability</b>	EMEA
<b>Regional Availability Note</b>	Contact your local CommScope representative for specific availability
<b>Product Type</b>	Access terminal, without splitter/tap
<b>Product Brand</b>	NOVUX™
<b>Product Series</b>	HSC1
<b>Minimum Order Quantity</b>	1

## General Specifications

<b>Cable Capacity, Branch</b>	2 Round 8.0–12.0 mm (0.31–0.47 in)
<b>Cable Capacity, Drop</b>	6 Round 3.0–6.0 mm (0.12–0.23 in) for pre-connectorized cables   6 Round 3.0–7.0 mm (0.12–0.27 in)
<b>Cable Capacity, Feeder</b>	2 Round 8.0–12.0 mm (0.31–0.47 in)
<b>Cable Sealing Type</b>	Gasket/grommet configuration
<b>Distribution Type</b>	4 ports
<b>Drop Port Type</b>	Hardened Prodigy SC/APC
<b>Drop Port, quantity</b>	4
<b>Enclosure Color</b>	Gray (RAL 7035)
<b>Mounting</b>	Facade   Wall
<b>Port Type</b>	Hardened Prodigy SC/APC

# HSC1-GAF1311BNN000

---

<b>Port, quantity</b>	4
<b>Splice Tray Included, quantity</b>	1
<b>Splice Tray Type Included</b>	12-way, heat shrink
<b>Splicing Capacity, maximum</b>	12
<b>Splicing Type, Supported</b>	Single fusion
<b>Split Ratio</b>	Symmetrical
<b>Splitter Type</b>	1 x 4
<b>Splitter, quantity</b>	1

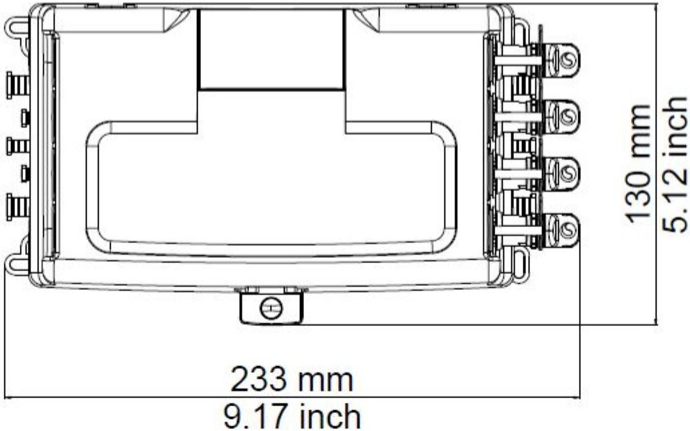
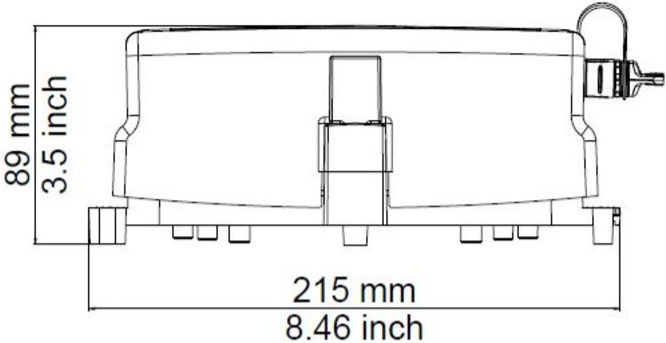
## Dimensions

<b>Height</b>	89 mm   3.504 in
<b>Width</b>	130 mm   5.118 in
<b>Length</b>	215 mm   8.465 in

## Dimension Drawing

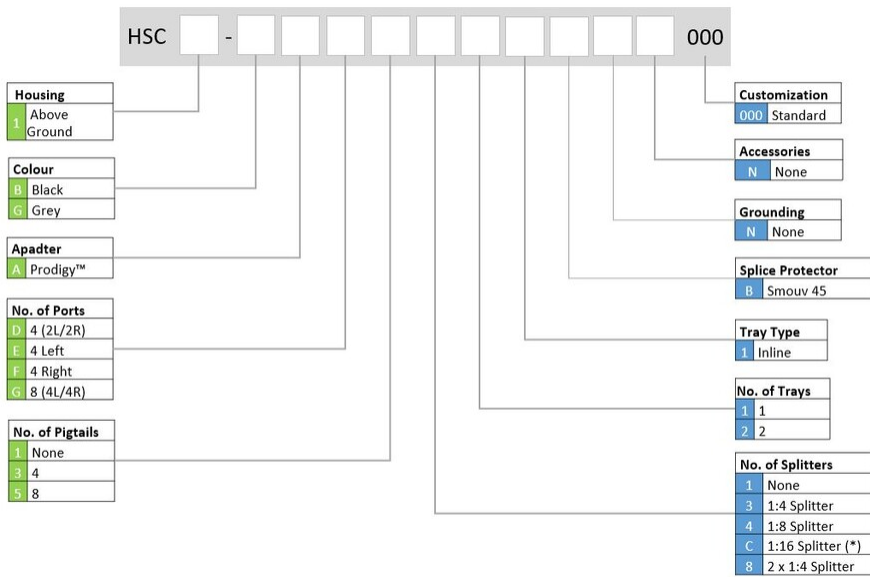
# HSC1-GAF1311BNN000

---



## Ordering Tree

# HSC1-GAF1311BNN000



(\*) 8 Legs SC/APC, 8 legs unterminated 2 trays

## Material Specifications

**Enclosure Material Type** Hardened plastic

## Optical Specifications

**Fiber Type** G.657.A1 | G.657.A2 | G.657.B3

**Operating Wavelength Range** 1260 – 1635 nm

**Attenuation Splitter, maximum** 7.1 dB

**Return Loss, Connector, typical** 55 dB

## Environmental Specifications

**Operating Temperature** -40 °C to +65 °C (-40 °F to +149 °F)

**Relative Humidity** 5%–100%, condensing

**Environmental Space** Facade | Outdoor

**Qualification Standards** IEC 61753-1, category A -free breathing terminal- | IP55 (IEC 60529 and IEC 63334) -free breathing terminal-

**UV Resistance** UV stabilized

## Packaging and Weights

**Packaging quantity** 1

**Packaging Type** Box

# HSC1-GAF1311BNN000

---

**Weight, net**

0.595 kg | 1.312 lb

## Regulatory Compliance/Certifications

**Agency**

**Classification**

CHINA-ROHS

Below maximum concentration value

ISO 9001:2015

Designed, manufactured and/or distributed under this quality management system

REACH-SVHC

Compliant as per SVHC revision on [www.commscope.com/ProductCompliance](http://www.commscope.com/ProductCompliance)

ROHS

Compliant

UK-ROHS

Compliant

