

SFG23HD-14-4-96



G23HD High Capacity Sector Frame, 14.5 ft 2.88 in OD face pipes, includes four 96 in pipes; For patents, see www.cs-pat.com

OBSOLETE

This product was discontinued on: **March 22, 2023**

Replaced By:

SFG23HDX-14-4-96 G23HDX High Capacity Sector Frame, 14.5 ft x 2.88 in OD face pipes, includes four 2.88 x OD 96 in antenna pipes

Product Classification

Product Type High capacity Tower sector frame

General Specifications

Application 4G LTE antenna/radio mount

Mounting Angle 60°, 203.2 mm (8 in) | Straight or tapered legs up to 203.2 mm (8 in) OD

Patent Number Patent pending

Pipe, quantity 4

Tower Taper Non-tapered | Tapered

Dimensions

Height 2,438.4 mm | 96 in

Face Width 4.42 m | 14.5 ft

Width 4,419.6 mm | 174 in

Pipe Length 2,438.4 mm | 96 in

Face Support Pipe Diameter 73.025 mm | 2.875 in

Mounting Diameter, maximum 218.44 mm | 8.6 in

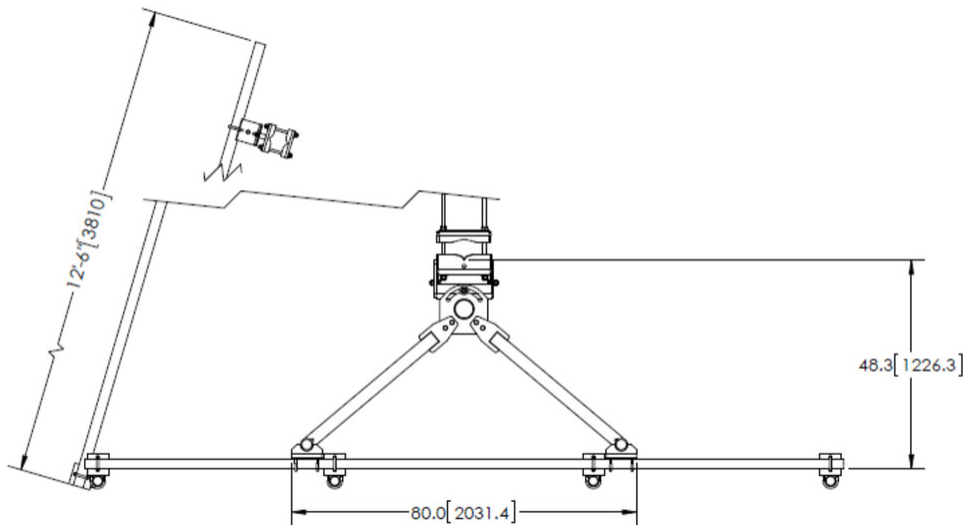
Mounting Diameter, minimum 38.1 mm | 1.5 in

Pipe Outer Diameter 60.325 mm | 2.375 in

Stand-off Distance 1,226.82 mm | 48.3 in

SFG23HD-14-4-96

Outline Drawing



Material Specifications

Material Type Hot dip galvanized steel

Mechanical Specifications

Wind Rating For Specifications, please contact your local ANDREW representative

Wind Rating Test Method TIA/EIA-222-G

Packaging and Weights

Included Frame | Pipe mounts | Plain end pipes (4) | Stiff arm | Tower attachment

Packaging quantity 1

Weight, net 378.296 kg | 834 lb

Regulatory Compliance/Certifications

Agency	Classification
ISO 9001:2015	Designed, manufactured and/or distributed under this quality management system

* Footnotes

Wind Rating BWS—Base Wind Speed; FBC—Florida Building Code