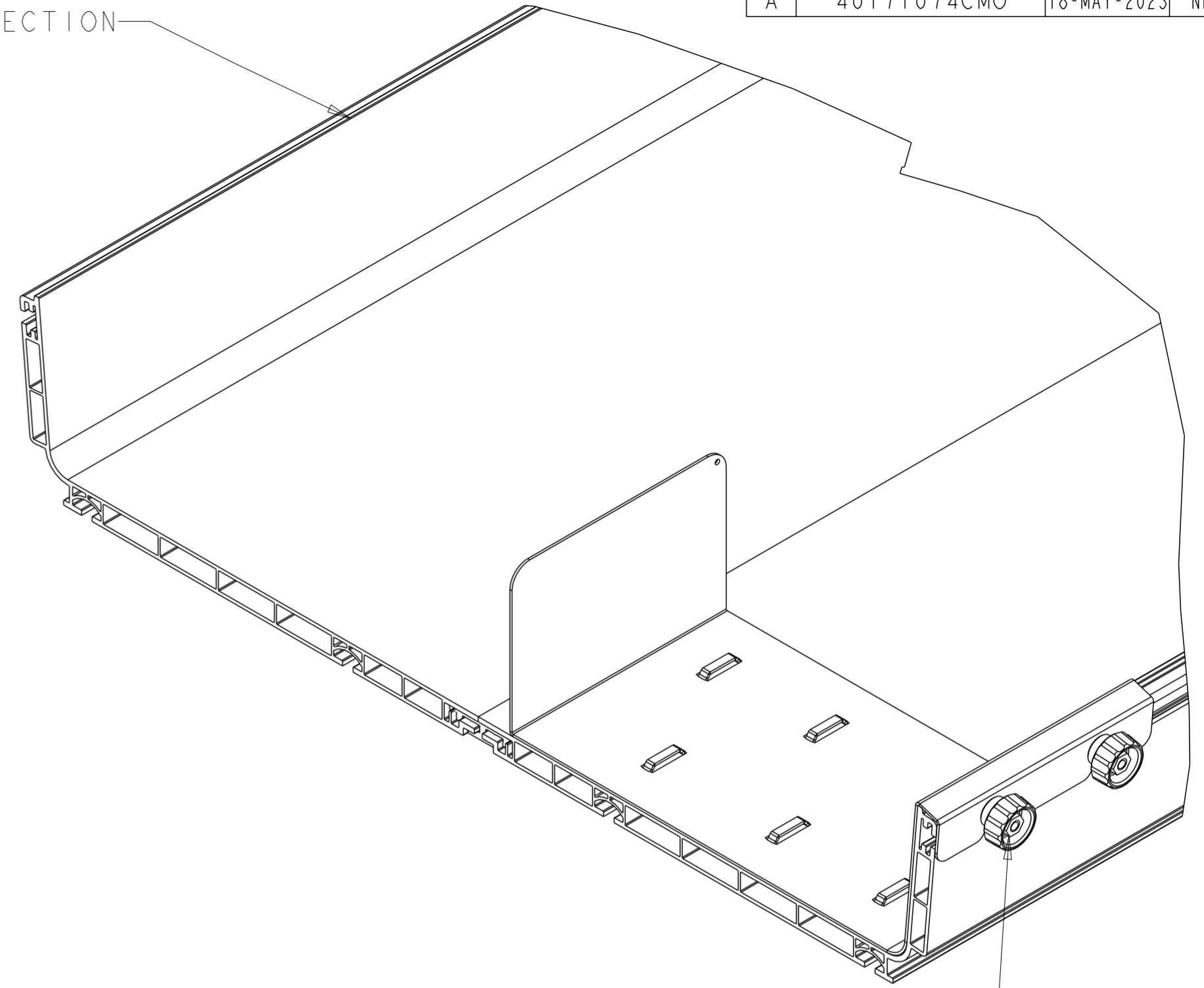
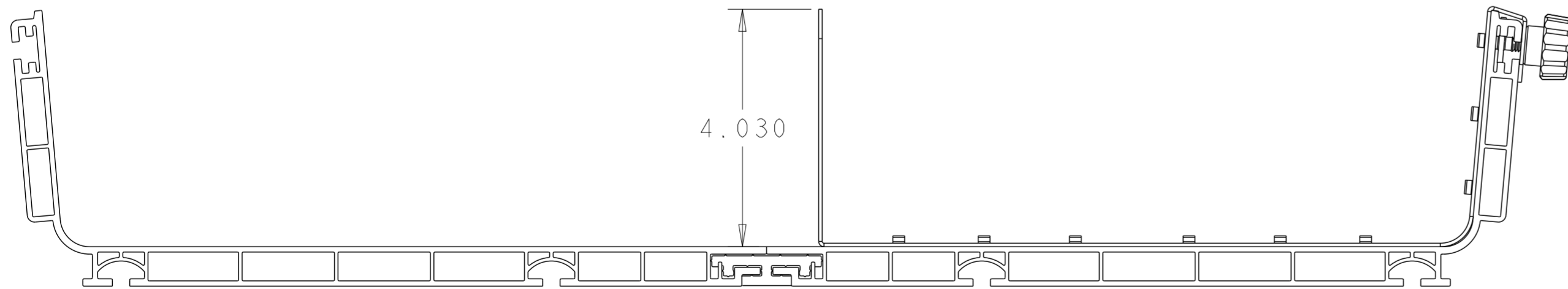
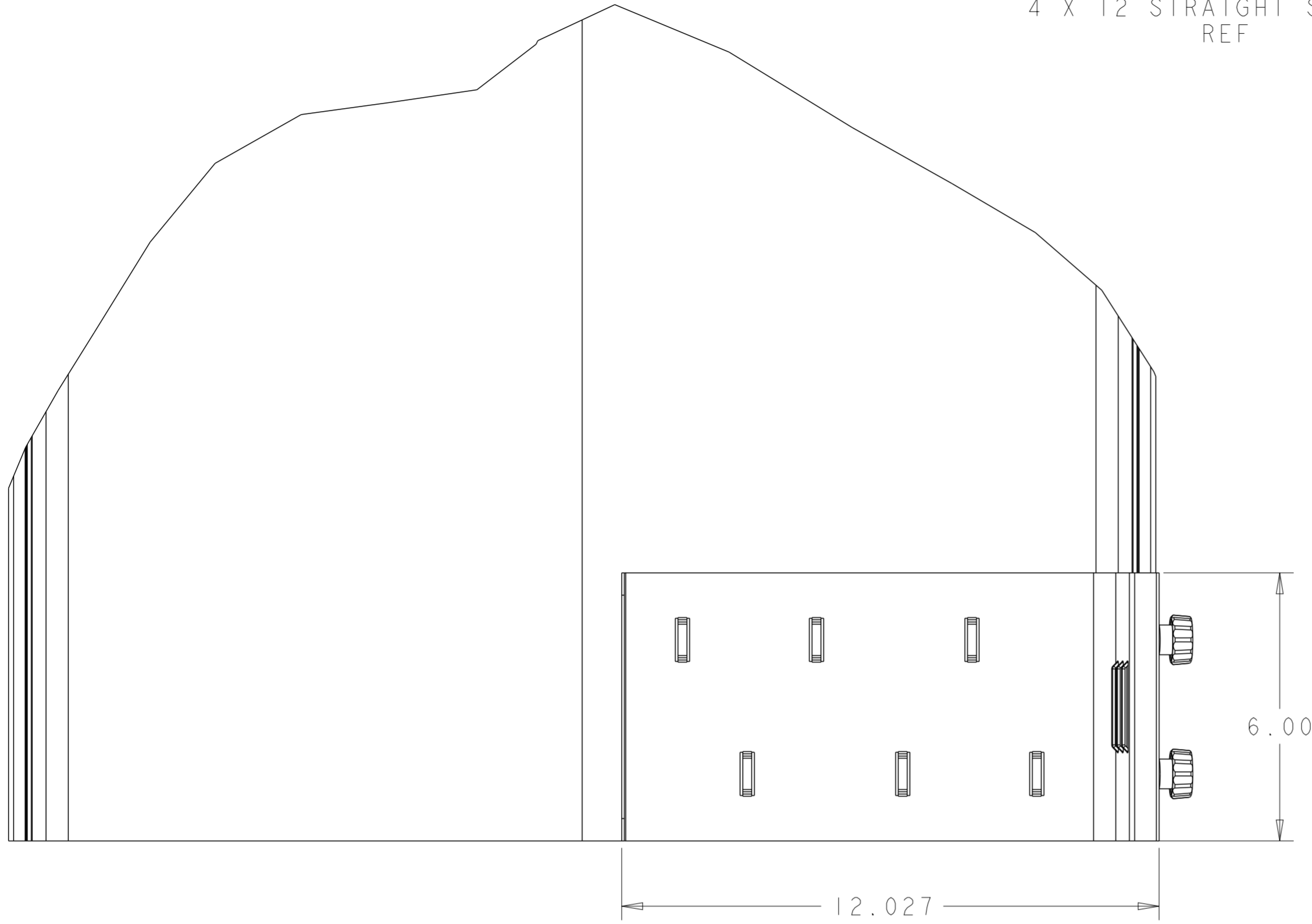


REVISIONS			
REV	CMO	DATE	APPROVED
A	40171074CMO	18-MAY-2023	NRO

4 X 12 STRAIGHT SECTION
REF



PLACE THE U-BRKT USING THE
KNOB/T-BOLT OVER THE STRAIGHT
SECTION



FGS-U-BRKT-6-KIT4	A
CATALOG NUMBER	REV

COMMSCOPE, INC.										
TOLERANCES					SAP MATERIAL MASTER					
N/A										
FINISH					MATERIAL					
SEE NOTES					SEE NOTES					
UNLESS OTHERWISE SPECIFIED DIMENSIONS ARE IN INCHES	DRAFTER			TITLE						
	NOEL RIVERA			FGS, U-BRKT 6X12, INST DWG						
	CHECKER			SIZE		SCALE		DOCUMENT NO.		
	JAVIER DIAZ			A2		1/16		660106055		
ENGINEER			CMO							
RUBEN ARVILLA			40171074CMO							
ALL SURFACES			AUTH GRP: ISPF		MODEL		DRAWING			
✓			⊕		VERSION		STATUS		REVISION	
					00		00		RE A	
									1 OF 1	

© 2023 CommScope, Inc. Confidential
NOTICE: These drawings and specifications are the proprietary property of COMMSCOPE, INC. and may be used only for the specific purpose authorized in writing by COMMSCOPE, INC.