

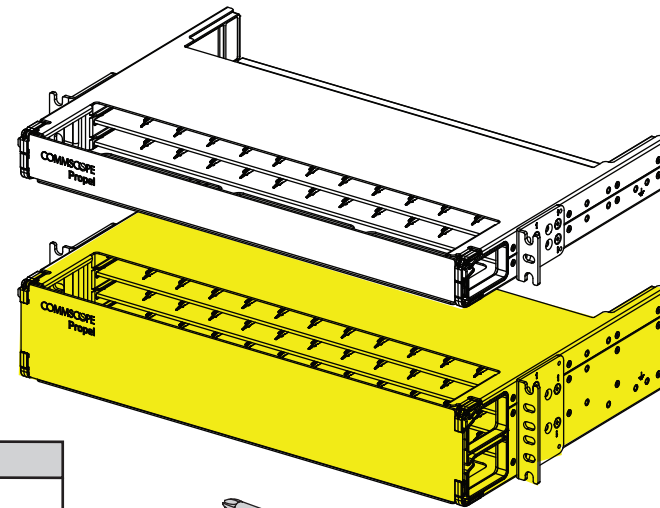
## Propel Fixed Open Panel (1RU or 2RU)

**NOTE:**

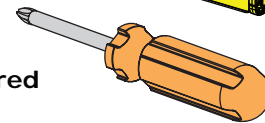
In most illustrations, this document shows the 2RU panel (highlighted in yellow at right).

1RU is similar in function.

| PARTS LIST |                                |
|------------|--------------------------------|
| QTY        | DESCRIPTION                    |
| 1          | PROPEL PANEL (1RU OR 2RU SIZE) |
| 1          | PANEL FASTENER PACK            |
| 1          | THESE INSTRUCTIONS             |



Required Tool



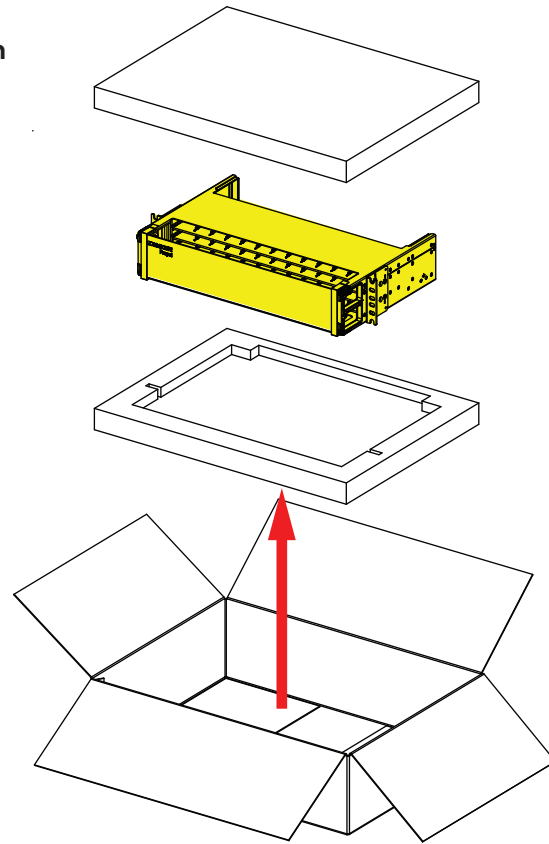
#2 PHILLIPS SCREWDRIVER

1

### Removing Panel from Box

Open the box and remove the Propel panel and other items from the box.

Check the Parts List to ensure all items are present.



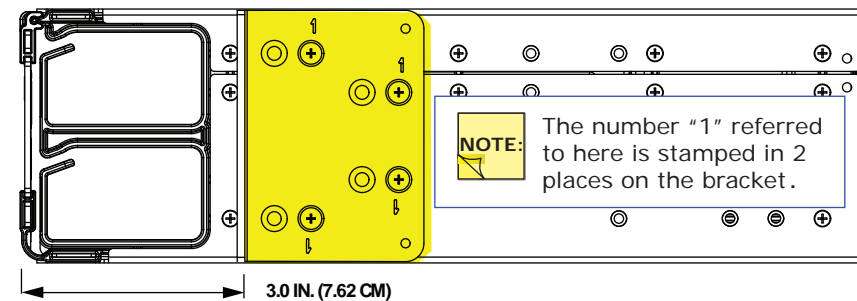
2

### Selecting Panel Mounting Option

Bracket can be relocated to 3.5" or 6" offset positions, or 9" offset for rear of rack mounting.

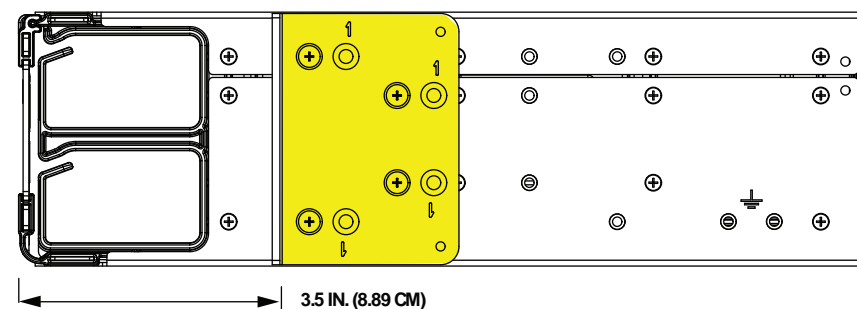
#### 3" Offset Position

Panel is shipped with bracket in 3" offset position using holes marked "1".



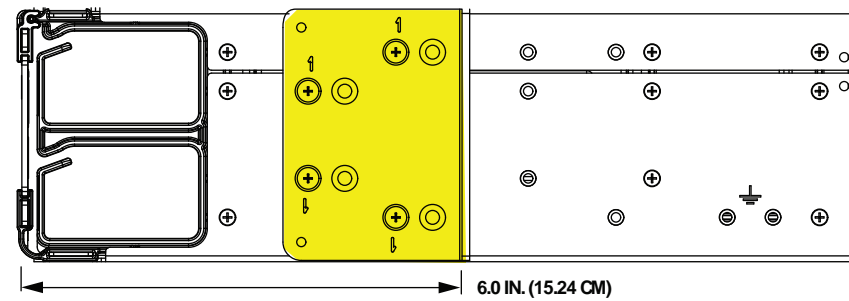
#### 3.5" Offset Position

To mount bracket at 3.5" position remove screws from holes marked "1" and remount bracket using unmarked holes.



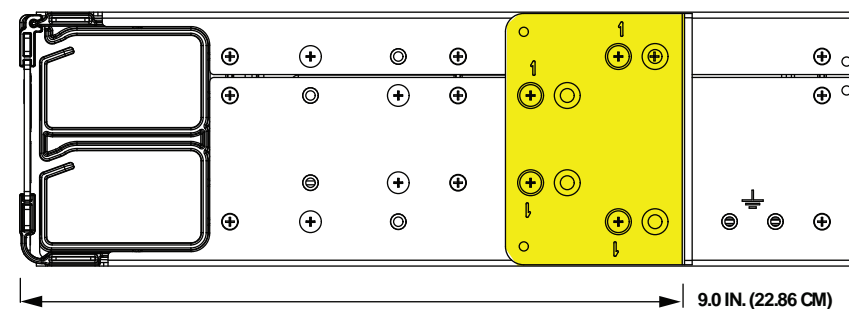
#### 6" Offset Position

To mount bracket at 6" offset, remove 4 screws from holes marked "1" and rotate bracket 180 degrees. Reinstall 4 screws in holes marked "1".



#### 9" Offset Position

To mount bracket at 9" offset, remove the 4 screws from holes marked "1", rotate bracket 180 degrees, reposition bracket at rearward position, and reinstall 4 screws in holes marked "1".



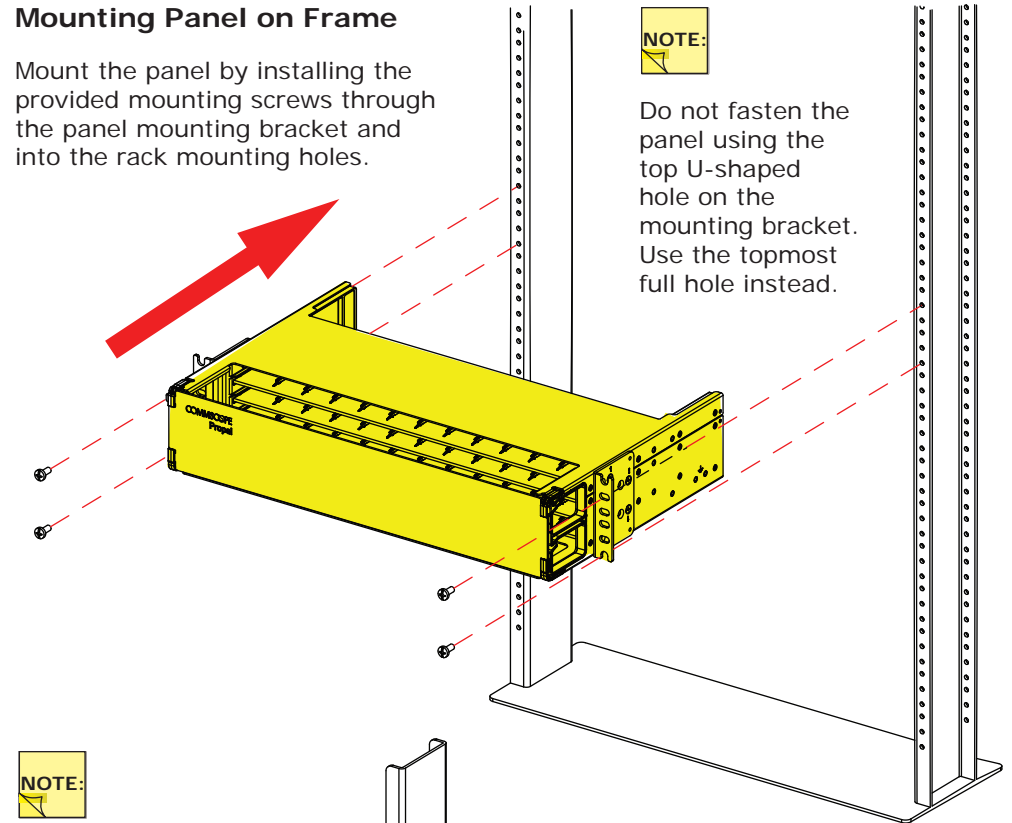
3

### Mounting Panel on Frame

Mount the panel by installing the provided mounting screws through the panel mounting bracket and into the rack mounting holes.

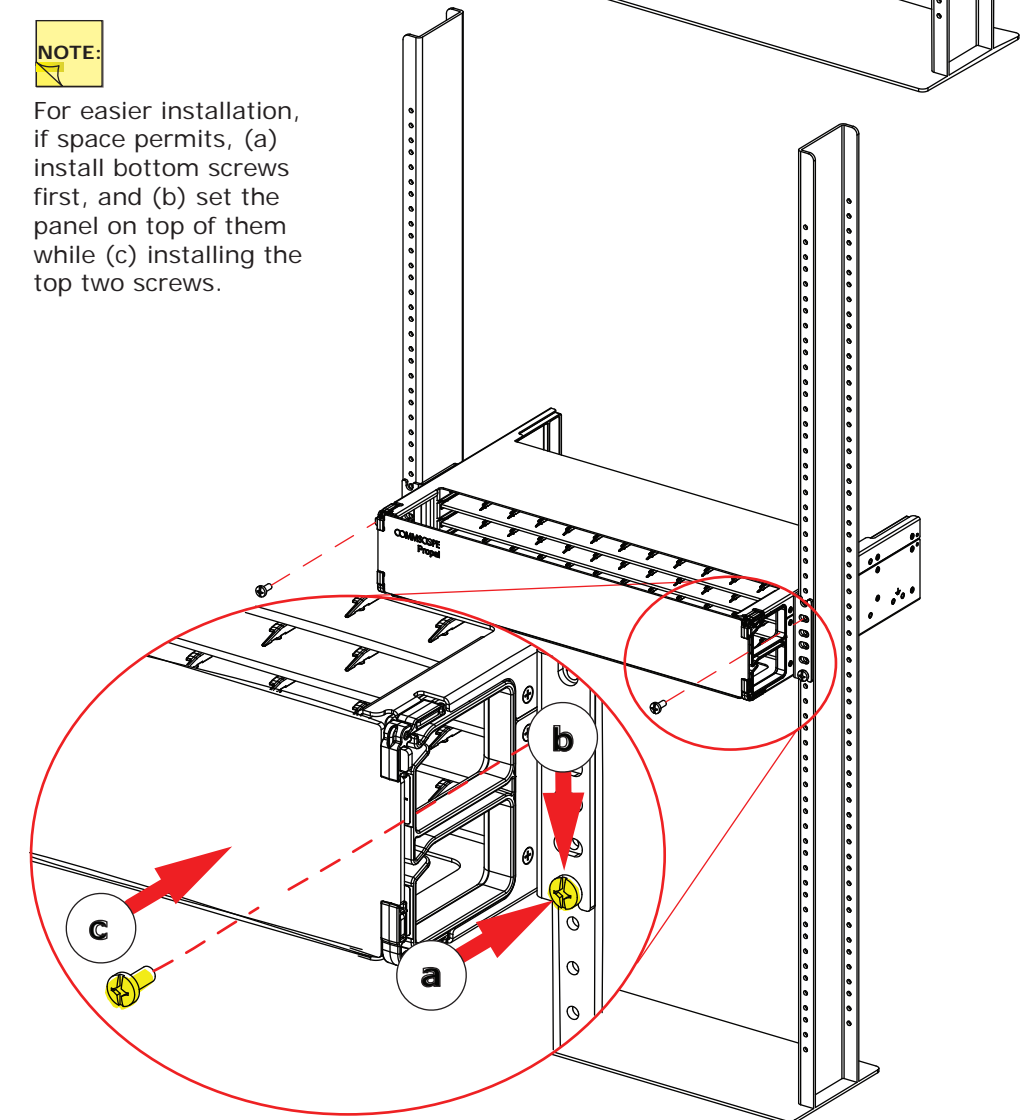
**NOTE:**

Do not fasten the panel using the top U-shaped hole on the mounting bracket. Use the topmost full hole instead.



**NOTE:**

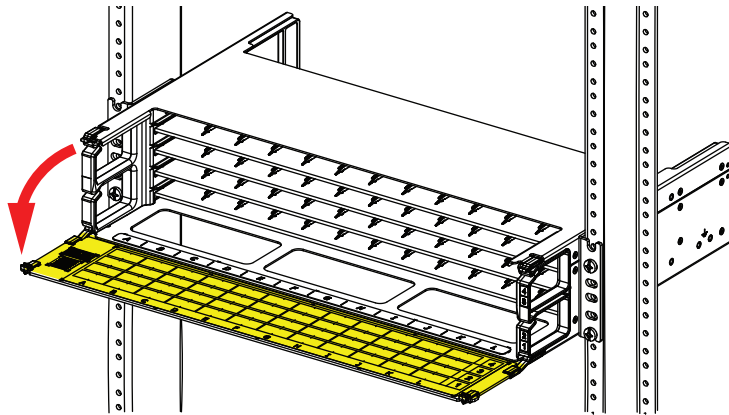
For easier installation, if space permits, (a) install bottom screws first, and (b) set the panel on top of them while (c) installing the top two screws.



4

### Opening and Closing Panel

Grasp cover at upper outside corner on each side and pull it out allowing it to swing down. To close cover, swing it up until it clicks into place.



7

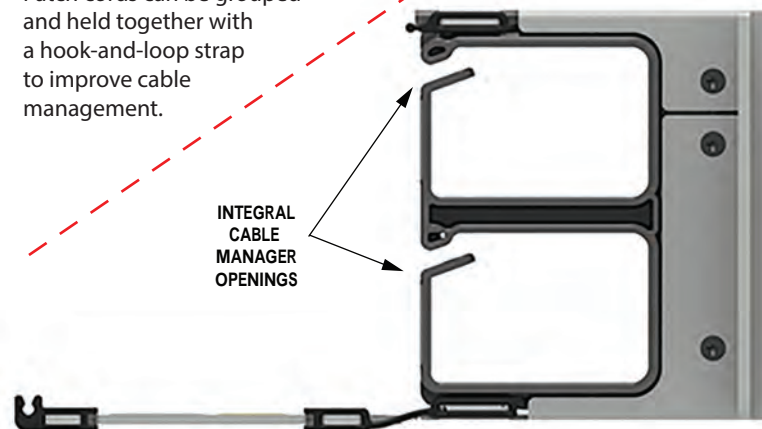
### Installing and Routing Patch Cords

At the front of the panel, route patch cord through the corresponding upper or lower opening of the integral patch cord manager (one each at the front corners of the panel). Repeat for each patch cord.



**NOTE:**

Patch cords can be grouped and held together with a hook-and-loop strap to improve cable management.

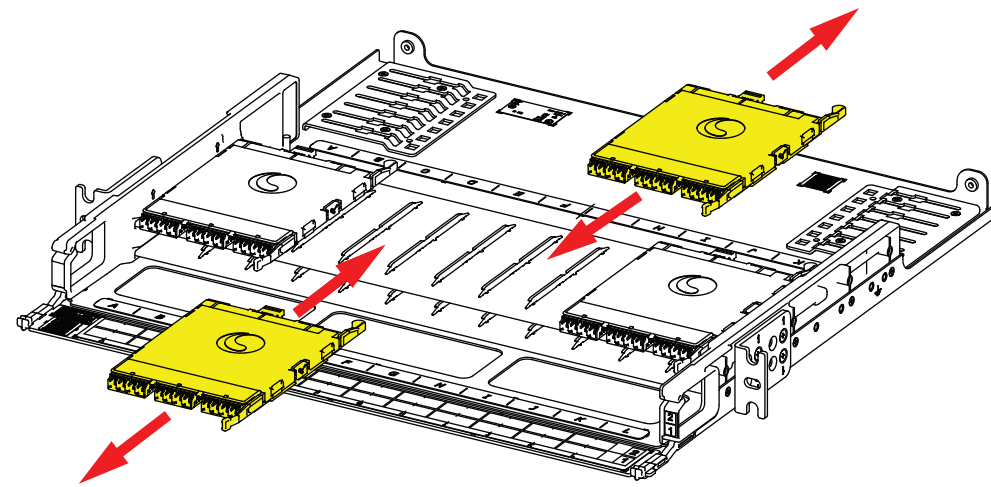


INTEGRAL CABLE MANAGER OPENINGS

5

### Installing Module or Cassette

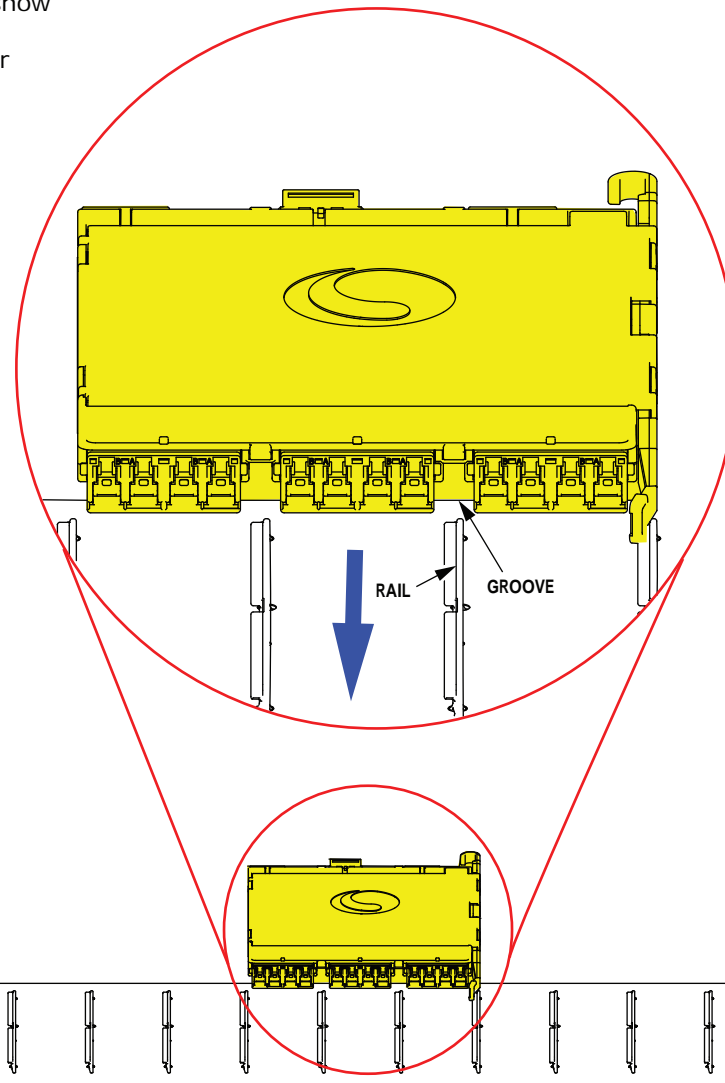
**a** Select direction of installation and position yourself accordingly. Propel adapter packs and modules can be installed from front or rear in any position where there is a space.



**NOTE:** Red arrows show direction of installation or removal. Blue arrow shows placement of groove on rail.

**b**

Align grooves on bottom of adapter pack or module with rails on blade. Slide in on rails.

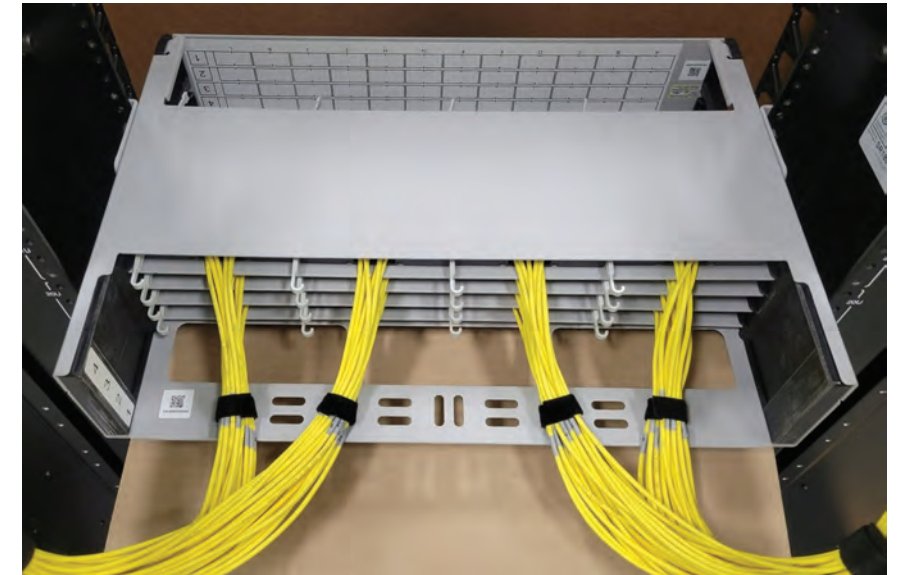


6

### Installing and Routing Cables

**a** Connect each cable to its respective cassette at the rear of the panel.

Use a hook-and-loop strap, and the slots along the rear edge of the panel, to secure each cable (or group of cables) in the desired position.



**NOTE:**

Rack or cabinet mounting bracket accessories may be used for additional cable management. A full list of accessories can be found in the User Manual and on the Product Info webpage (QR code on opposing side).

**b**

At the rear of the panel, route cables out the back and into the vertical cable management of the supporting frame, as shown below.

