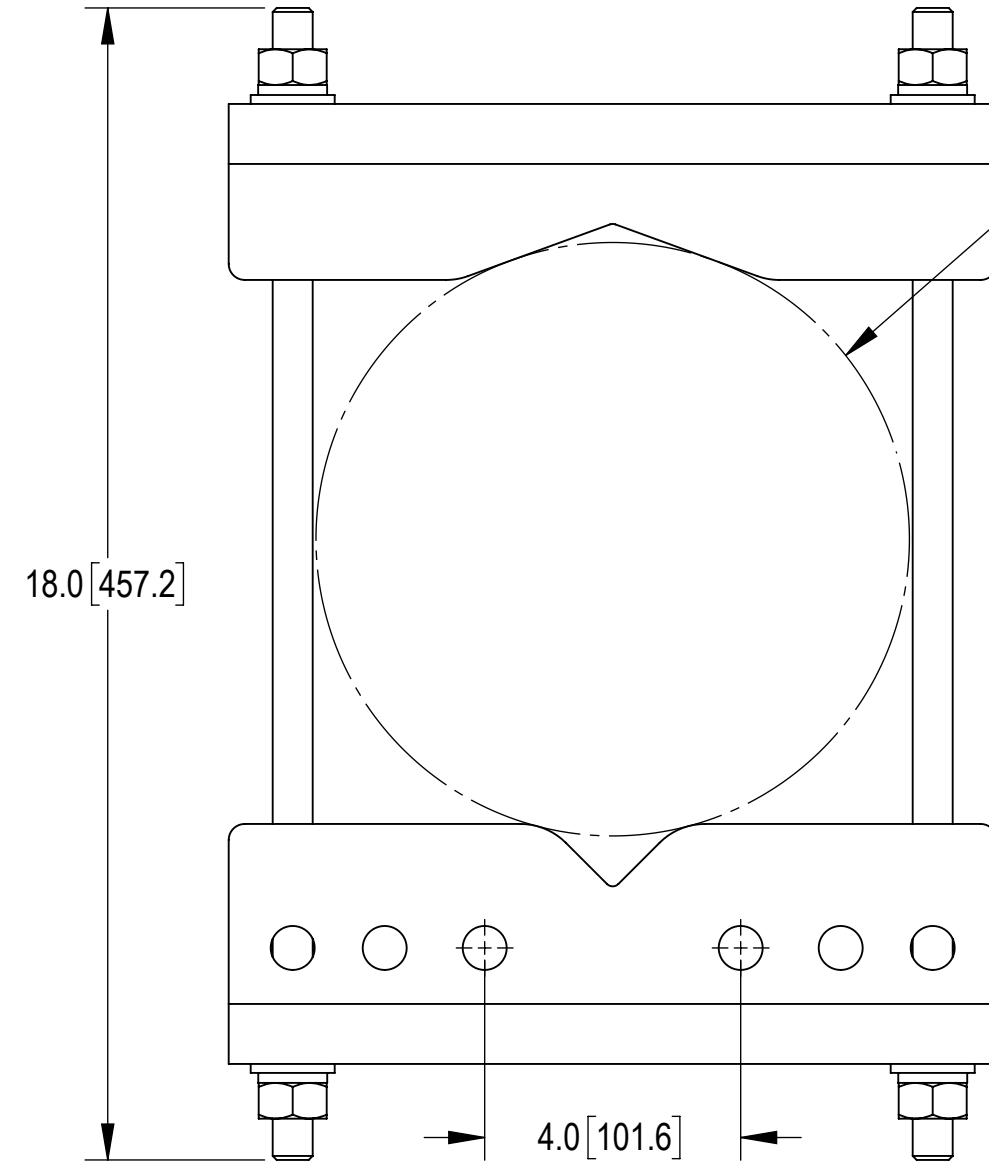
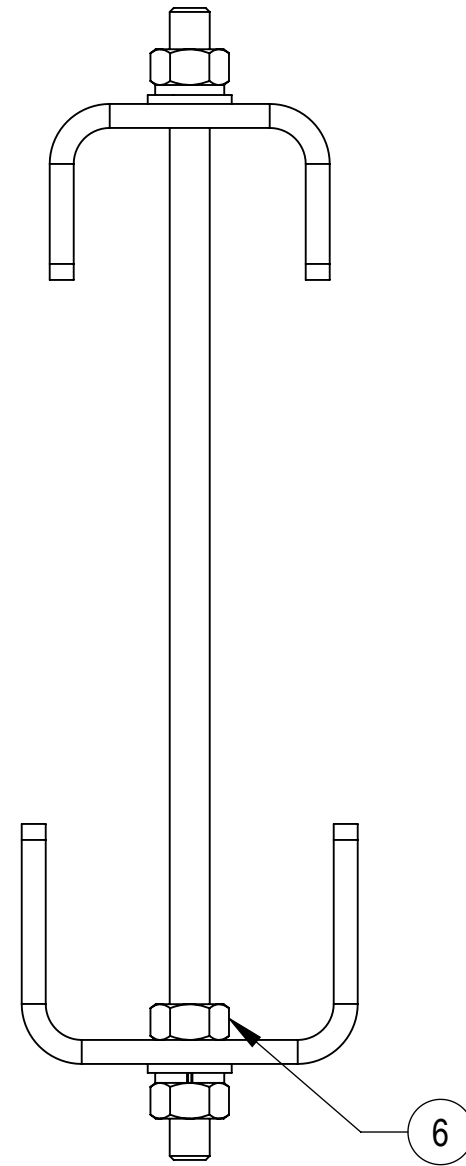
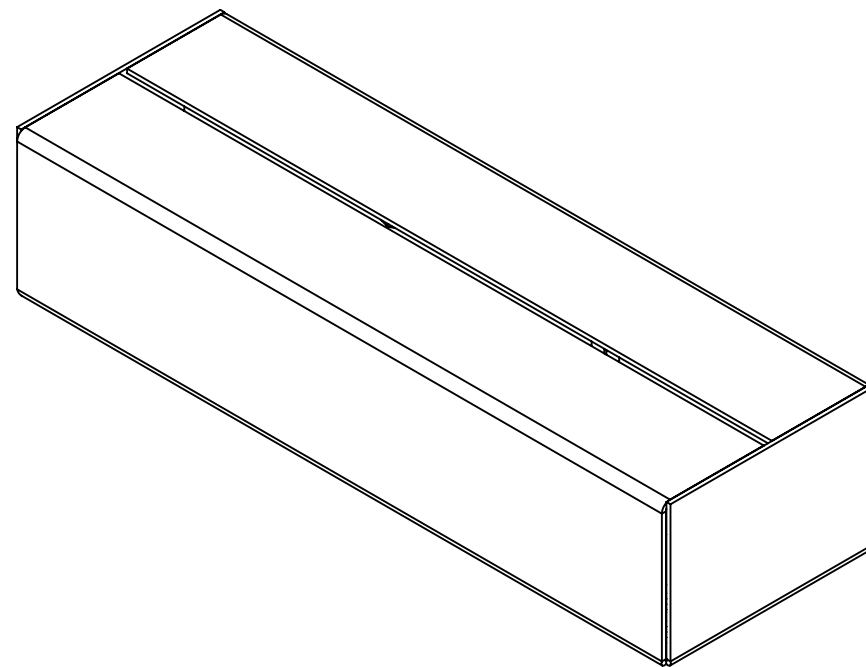
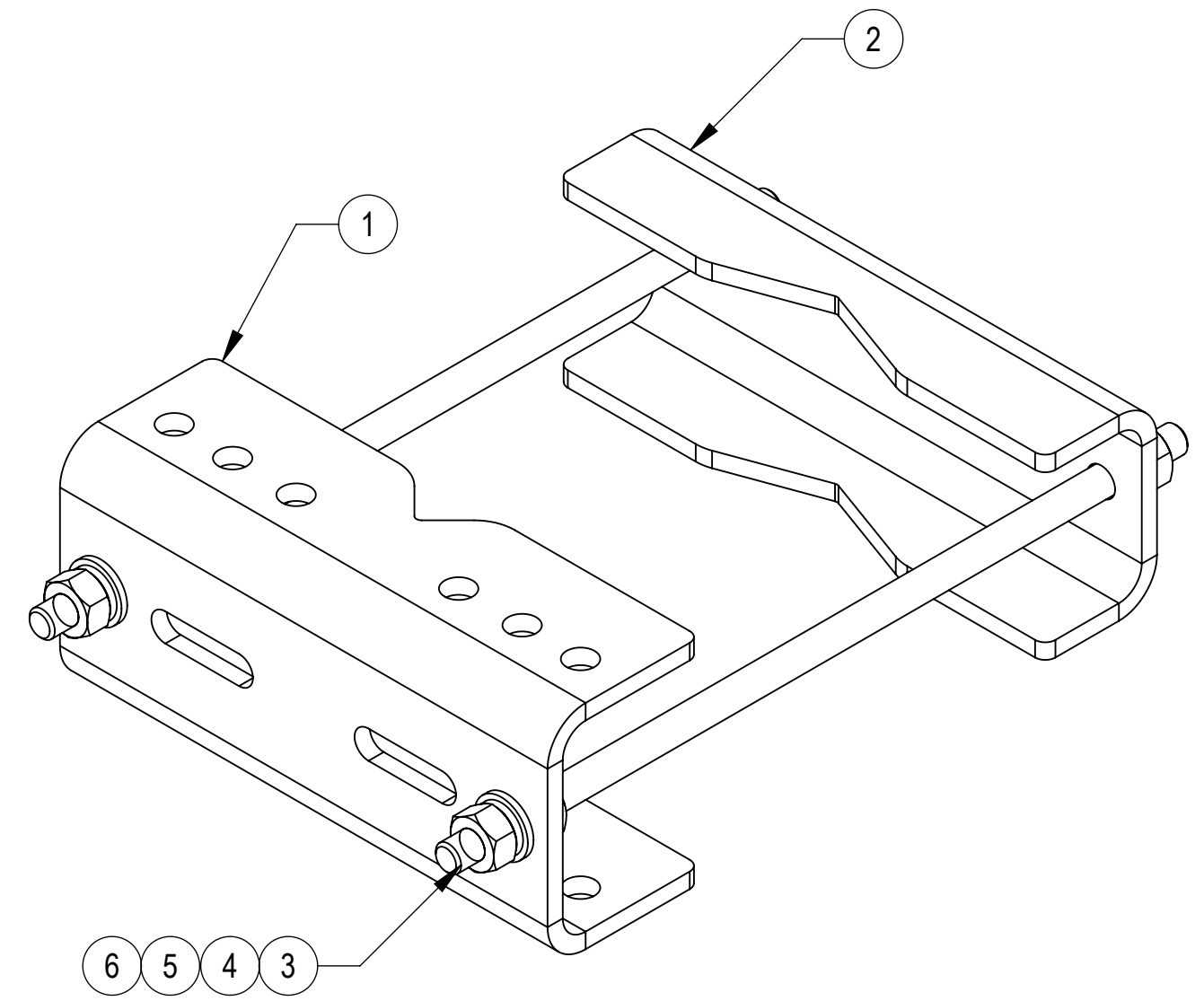


- 1.0 GENERAL NOTES
- 1.1 ALL METRIC DIMENSIONS ARE IN BRACKETS [X. X]
- 2.0 DESIGN NOTES
- 3.0 MANUFACTURING/SPECIAL REQUIREMENTS
- 3.1 TIGHTEN ALL BOLTS SECURING FLAT PLATES BY THE TURN-OF-NUT METHOD. TIGHTEN ALL U-BOLTS USING TURN-OF-NUT METHOD WITH ATTENTION TO LEAVE EQUAL DISTANCE AND EQUAL FORCE ON EACH LEG OF THE U-BOLT.
- 4.0 TEST
- 5.0 PACKAGING
- 5.1 PACKAGING SHALL MEET COMMSCOPE REQUIREMENTS PER DOCUMENT IS-PL-3005
- 5.2 PRINTED DOCUMENT TO BE PLACED INSIDE POLYBAG AND THEN IN SHIPPING CONTAINER
- 5.3 EXTRA HARDWARE MAYBE SUPPLIED, BAGGED AND SHIPPED

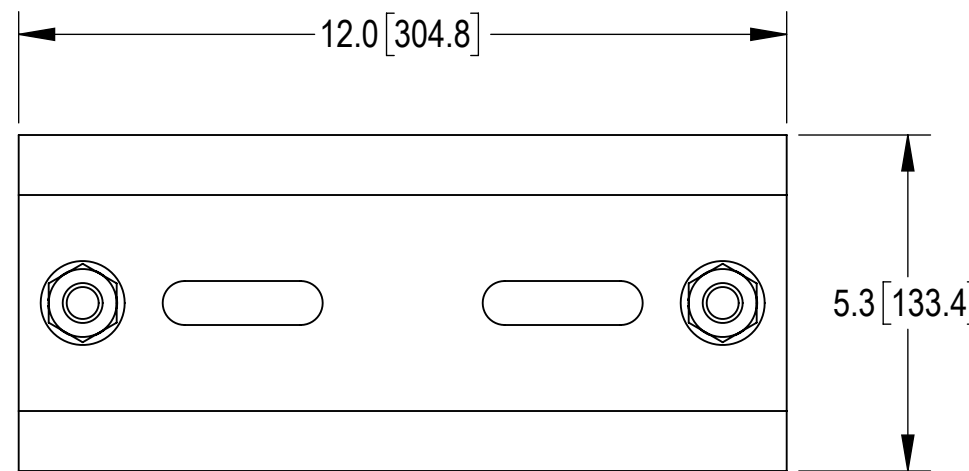
REVISIONS			
REV.	DESCRIPTION	DATE	APPROVED
A	INITIAL RELEASE	YMENG 18AUG23	BA1025 40178029CMO



FOR POLES UP TO 8.625" IN DIAMETER
FOR 90 DEGREE ANGLES UP TO 6.0"
FOR 60 DEGREE ANGLES UP TO 8.0"



PACKING SHOWN FOR MAKING ONLY



COMPONENT PART NUMBERS PROVIDED FOR ASSEMBLY PURPOSES;
INDIVIDUAL COMPONENTS MAY BE SHIPPED AS PARTS WITHIN AN INCLUDED KIT.

ITEM	PART NO.	DESCRIPTION	QTY.	WEIGHT	NOTE NO.
1	MTC4132-1000-00	CLAMP, FRONT MOUNTING	1	13.39 LBS	
2	MTC4132-2000-00	CLAMP, BACK	1	10.31 LBS	
3	MT-382-18	5/8" X 18" GALV THREADED ROD	2	1.55 LBS	
4	GWFO5A	GALV FLAT WASHER HARDENED 5/8", 1.30D	4	0.04 LBS	
5	GWL-05	5/8" GALV LOCK WASHER	4	0.03 LBS	
6	GN-05ADH	5/8" GALV HEX NUT (A563 DH)	6	0.12 LBS	

DENSITY	27.77	lbs/in ³
MASS	27.77	lbs
VOLUME	97.79	in ³
SURFACE AREA	612.23	in ²
HEIGHT	5.3"	
LENGTH	18.0"	
WIDTH	12.0"	

© 2023 CommScope, Inc. Confidential

COMMSCOPE, INC. OF NORTH CAROLINA										
TOLERANCES					SAP MATERIAL MASTER					
1 PLACE .X[X] ± 0.2[6.3]			3 PLACE .XXX[X] ± 0.060[1.5]		SMU2080-01					
2 PLACE .XX[X] ± 0.12[3.0]			ANGLES ± 2°							
FINISH					MATERIAL					
UNLESS OTHERWISE SPECIFIED DIMENSIONS ARE IN INCHES INTERPRET PER ANSI Y 14.5M-1994	CE	YMENG	18AUG23	UNIVERSAL SADDLE MOUNT, 2" - 8" LEGS						
	RW	YMENG	08/24/2023							
	AD	LS1146	08/31/2023							
	RE	YMENG	08/31/2023							
	ECN	40178029CMO								
SCALE	1:4			DOCUMENT NO. SMU2080-01						
SIZE	Auth Group	INSL	MODEL			DRAWING				SHEET 1 OF 1
C			VERSION	STATUS	REVISION	VERSION	STATUS	REVISION		
			00	RE	A	00	RE	A		