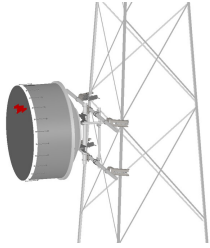


# TF-M4-8

---



Tower Face Mount with dual 8 ft x 4-1/2 in OD face supports; includes pipe

## Product Classification

**Product Type** Tower face mount

## General Specifications

**Mounting** Angle 60°, 203.2 mm (8 in) | Angle 90°, 152.4 mm (6 in) | Straight or tapered legs up to 203.2 mm (8 in) OD

**Note** Effective Projected Area (EPA) calculated using horizontal booms, vertical pipe mount, and mounting brackets.

**Pipe, quantity** 1

**Tower Taper** Non-tapered | Tapered

## Dimensions

**Height** 1,600.2 mm | 63 in

**Face Width** 2.438 m | 8 ft

**Width** 2,438.4 mm | 96 in

**Length** 304.8 mm | 12 in

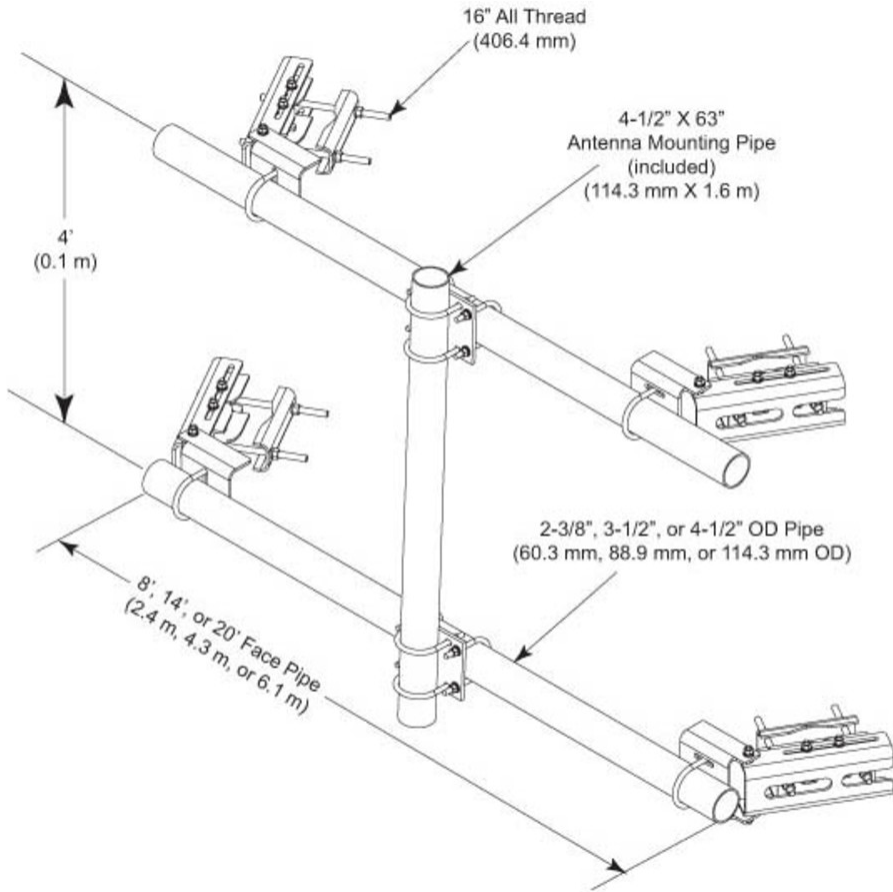
**Pipe Length** 1,600.2 mm | 63 in

**Face Support Pipe Diameter** 114.3 mm | 4.5 in

**Pipe Outer Diameter** 114.3 mm | 4.5 in

# TF-M4-8

## Outline Drawing



## Material Specifications

**Material Type** Hot dip galvanized steel

## Environmental Specifications

**EPA with 1/2 in (12 mm) radial ice** 1.115 m<sup>2</sup> | 12 ft<sup>2</sup>

**EPA without ice** 0.883 m<sup>2</sup> | 9.5 ft<sup>2</sup>

## Packaging and Weights

**Included** Crossover plates | Pipes | Saddle mounts

**Packaging quantity** 1

# TF-M4-8

---

**Weight, net**

276.691 kg | 610 lb

## Regulatory Compliance/Certifications

**Agency**

ISO 9001:2015



**Classification**

Designed, manufactured and/or distributed under this quality management system

## Included Products

- MT-653-63 – Plain End Pipe, 4-1/2 in OD x 63 in x .237" A500C 46Ksi
- MT-654-96 – Plain End Pipe, 4-1/2 in OD x 96 in x .188" A500C 46Ksi
- XP-4040 – Crossover Plate, joins 4-1/2 in to 4-1/2 in OD round members

## \* Footnotes

**EPA with 1/2 in (12 mm) radial ice** EPA—Effective Projected Area

**EPA without ice** EPA—Effective Projected Area

# MT-653-63

---



Plain End Pipe, 4-1/2 in OD x 63 in x .237" A500C 46Ksi

## Product Classification

**Product Type** Plain end pipe

## General Specifications

**Pipe, quantity** 1

## Dimensions

**Height** 114.3 mm | 4.5 in  
**Width** 114.3 mm | 4.5 in  
**Length** 1,600.2 mm | 63 in  
**Pipe Length** 1,600.2 mm | 63 in  
**Pipe Outer Diameter** 114.3 mm | 4.5 in  
**Material Thickness** 6.02 mm | 0.237 in

## Material Specifications

**Material Type** A500 | Hot dip galvanized steel  
**Material Grade** C  
**Material Strength** 46 kilopounds per square inch

## Packaging and Weights

**Included** Pipe  
**Packaging quantity** 1  
**Weight, net** 25.9 kg | 57.1 lb

## Regulatory Compliance/Certifications

Agency	Classification
ISO 9001:2015	Designed, manufactured and/or distributed under this quality management system

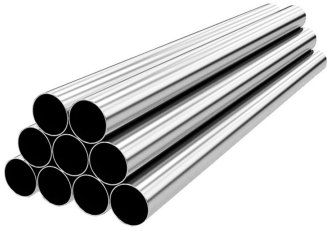
# MT-653-63

---



# MT-654-96

---



Plain End Pipe, 4-1/2 in OD x 96 in x .188" A500C 46Ksi

## Product Classification

**Product Type** Plain end pipe

## General Specifications

**Pipe, quantity** 1

## Dimensions

**Height** 114.3 mm | 4.5 in  
**Width** 114.3 mm | 4.5 in  
**Length** 2,438.4 mm | 96 in  
**Pipe Length** 2,438.4 mm | 96 in  
**Pipe Outer Diameter** 114.3 mm | 4.5 in  
**Material Thickness** 4.775 mm | 0.188 in

## Material Specifications

**Material Type** A500 | Hot dip galvanized steel  
**Material Grade** C  
**Material Strength** 46 kilopounds per square inch

## Packaging and Weights

**Included** Pipe  
**Packaging quantity** 1  
**Weight, net** 31 kg | 68.343 lb

## Regulatory Compliance/Certifications

Agency	Classification
CHINA-ROHS	Below maximum concentration value
ISO 9001:2015	Designed, manufactured and/or distributed under this quality management system

# MT-654-96

---

REACH-SVHC	Compliant as per SVHC revision on <a href="http://www.commscope.com/ProductCompliance">www.commscope.com/ProductCompliance</a>
ROHS	Compliant
UK-ROHS	Compliant



# XP-4040

---



Crossover Plate, joins 4-1/2 in to 4-1/2 in OD round members

## Product Classification

**Product Type** Clamp plate

## General Specifications

**Mounting** Crossover plate

## Dimensions

**Mounting Diameter, maximum** 114.3 mm | 4.5 in

**Mounting Diameter, minimum** 114.3 mm | 4.5 in

## Material Specifications

**Material Type** Hot dip galvanized steel

## Packaging and Weights

**Included** Plates | U-bolts

**Packaging quantity** 1

## Regulatory Compliance/Certifications

Agency	Classification
CHINA-ROHS	Below maximum concentration value
ISO 9001:2015	Designed, manufactured and/or distributed under this quality management system
REACH-SVHC	Compliant as per SVHC revision on <a href="http://www.commscope.com/ProductCompliance">www.commscope.com/ProductCompliance</a>
ROHS	Compliant
UK-ROHS	Compliant

