

INSTALLATION INSTRUCTIONS

7/16 DIN Connectors Fitted to FSJ1-50A Cable



**READ THE INSTRUCTIONS THOROUGHLY
BEFORE ASSEMBLY**

Knife		Soldering iron 150 W Min & Solder	
Nylon brush		Hacksaw (fine blade)	
Scale (150mm)			

1

Or O Ou Oder

Andrew EASIA[®] 207865

12.7mm [1/2]

FSJ1-50A

Do not damage inner conductor
No dañar el conductor interno
Ne pas endommager le conducteur central
Innenleiter nicht beschädigen

Remove foam
Quitar la espuma
Retirer la mousse
Schaumkern entfernen

Remove adhesive
Raspar el adhesivo
Retirer l'adhésif
Klebstoff entfernen

14mm [35/64]

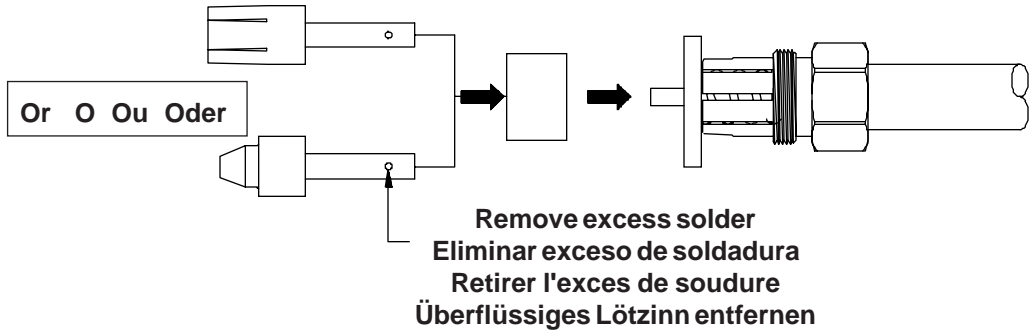
7mm [17/64]

2

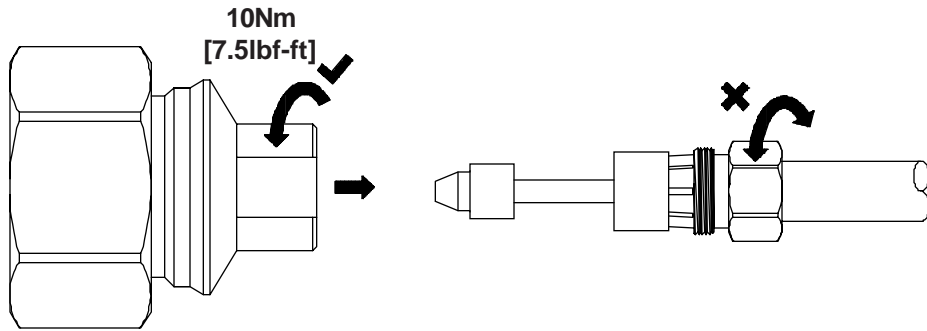
7mm [17/64"] Max
6mm [15/64] Min

Flush
Parejo
Lisse
Glatt

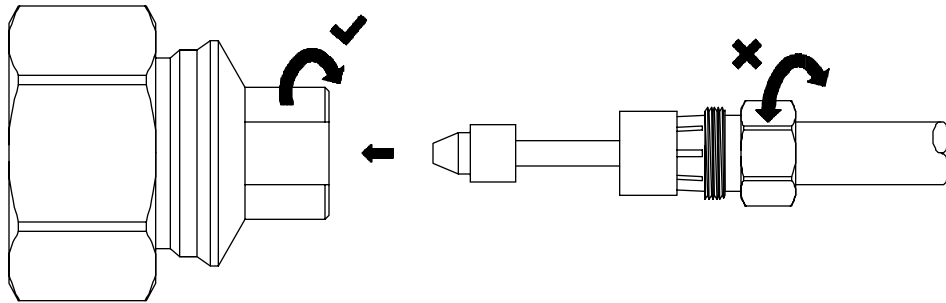
3



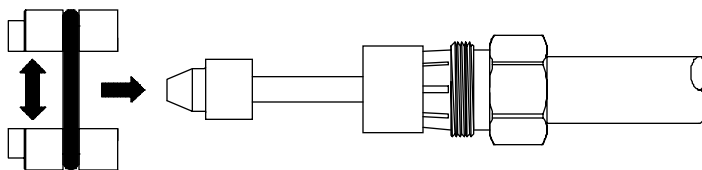
4



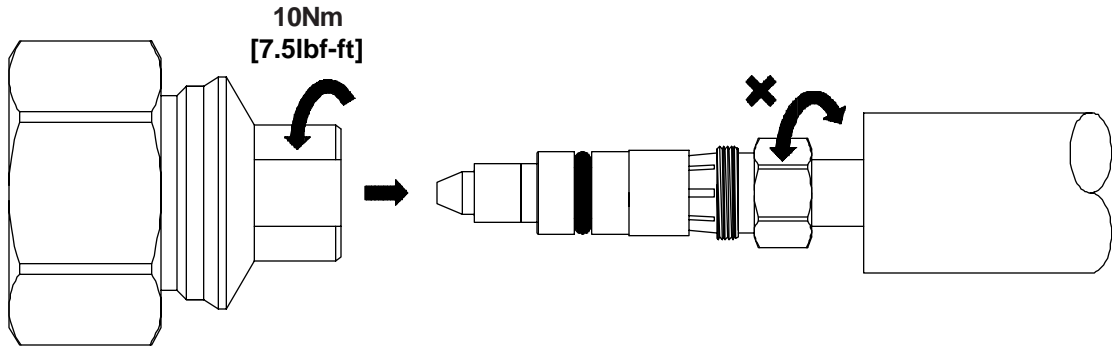
5



6



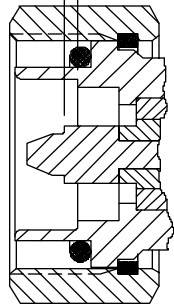
7



8

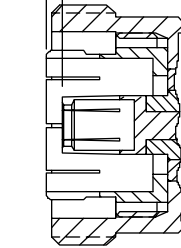
1.77mm[0.0697"]
1.47mm[0.0579"]

Male
Macho
Mâle
Stecker



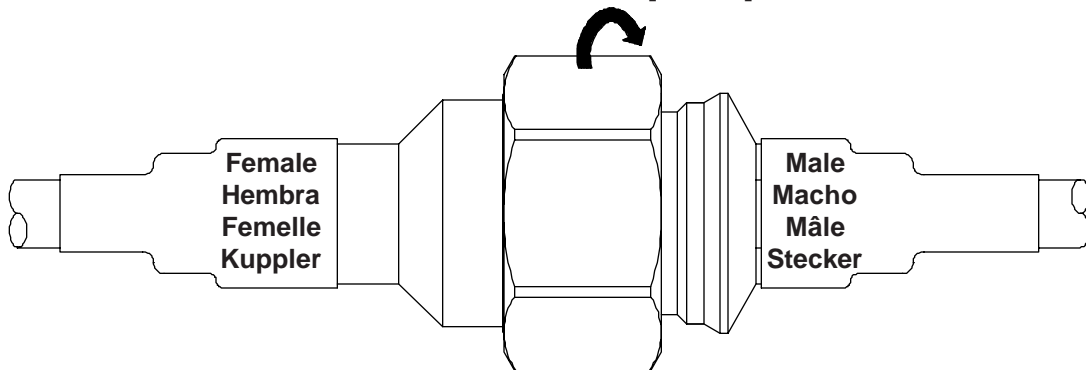
2.07mm[0.0815"]
1.77mm[0.0697"]

Female
Hembra
Femelle
Kuppler

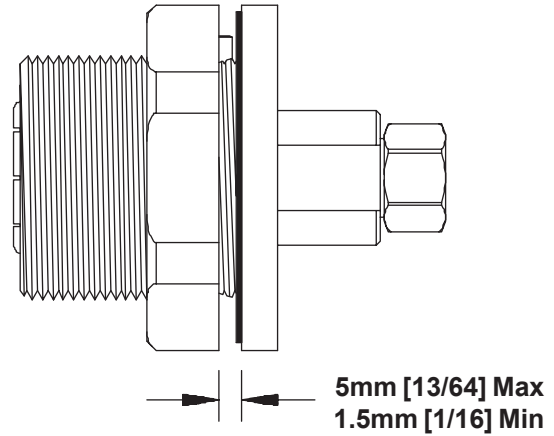
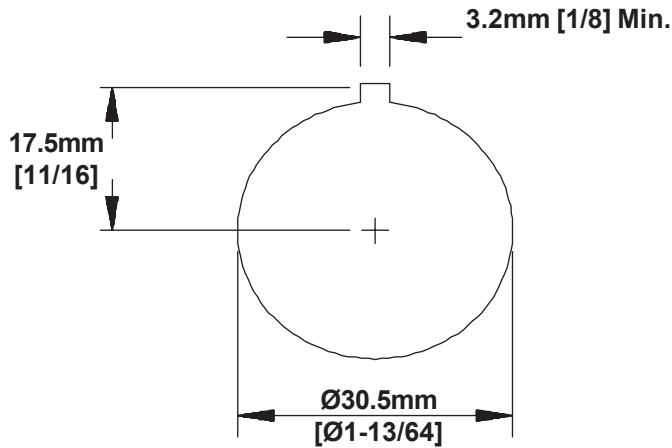


9

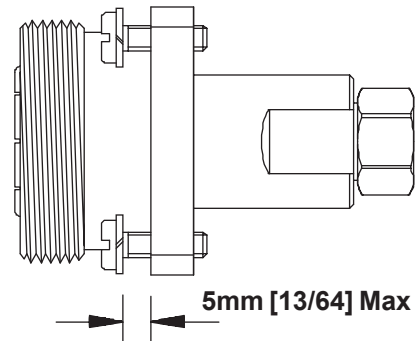
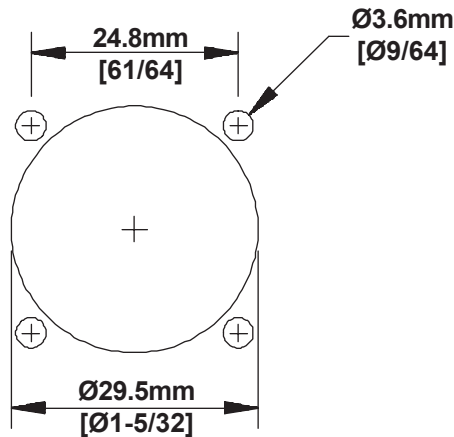
25Nm
[19lbf-ft]




Bulkhead Mount
Montaje del pasamuro
Support de cloison etanche
Gehäusekuppler mit Viereckflansch



Panel Mount
Montaje del panel
Support de panneau
Gehäusekuppler zum Einschrauben



	表一 有毒有害物质或元素名称及含量标识格式					
	有毒有害物质或元素					
部件名称 (Part Name)	铅 (Pb)	汞 (Hg)	镉 (Cd)	六价铬 (Cr6+)	多溴联苯 (PBB)	多溴二苯醚 (PBDE)
连接器 (Connector)	X	O	O	O	O	O
O: 表示有毒有害物质在该部件所有的均质材料中的含量均在SJ/T 11363-2006规定的限量要求以下。 X: 表示该有毒有害物质至少在该部件的某一均质材料中的含量超出SJ/T 11363-2006规定的限量要求。						



Andrew Corporation
 3 Westbrook Corporate Center, Suite 900, Westchester, Illinois U.S.A. 60154
 +1 (779) 435-8579 Fax (U.S.A.): 1-800-349-5444
 www.andrew.com
 Copyright © 2007 by Andrew Corporation

Customer Service, 24 hours
 U.S.A., Canada, Mexico: 1-800-255-1479
 U.K.: 0800 250055
 Other Europe: +44 592 782 612
 China: +86 512-6256-8805