

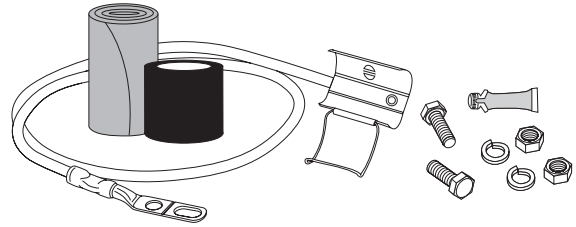
SureGround™ Grounding Kits

for Coaxial Cables

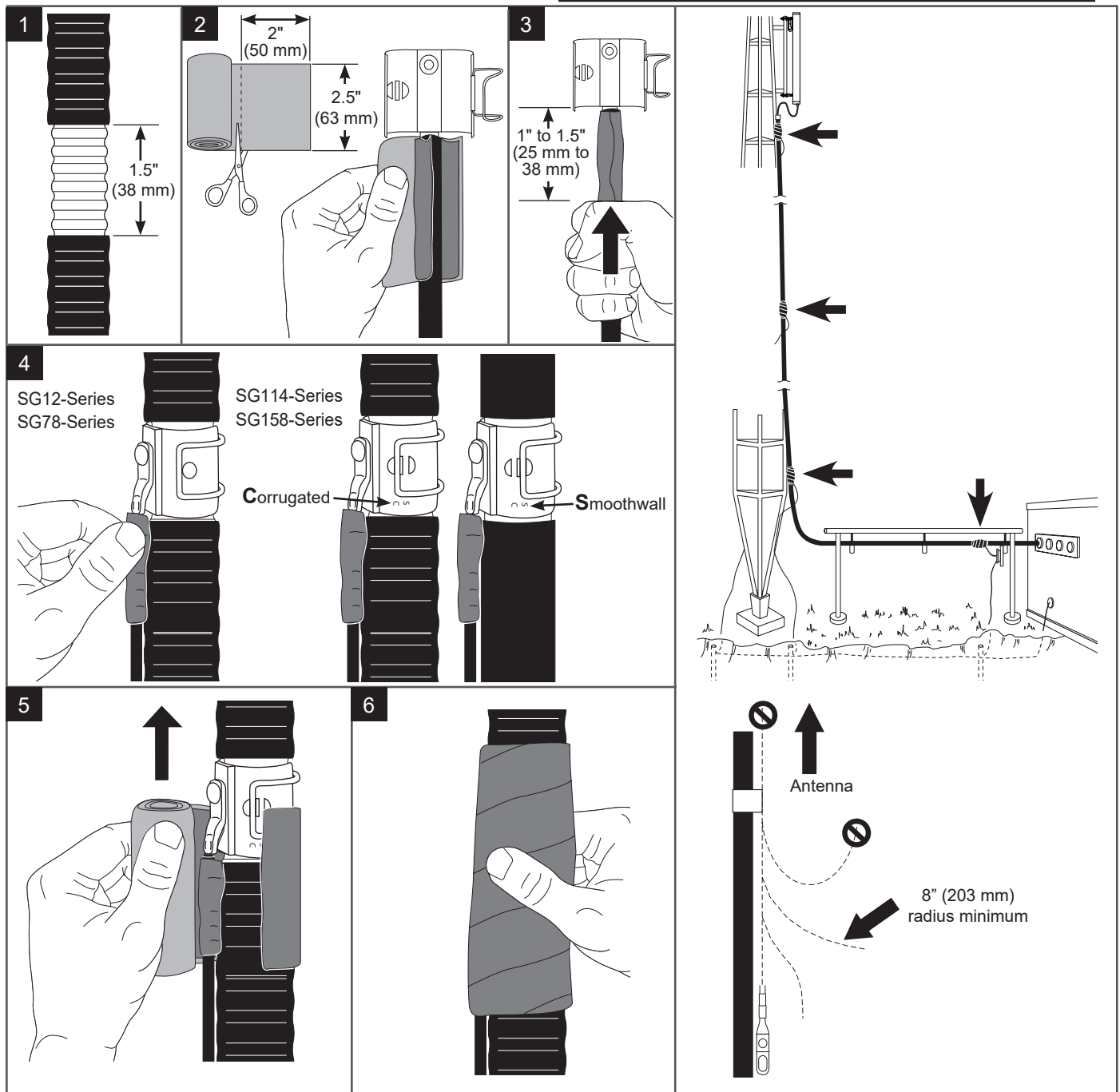
Bulletin 7598195 Revision E Page 1 of 2

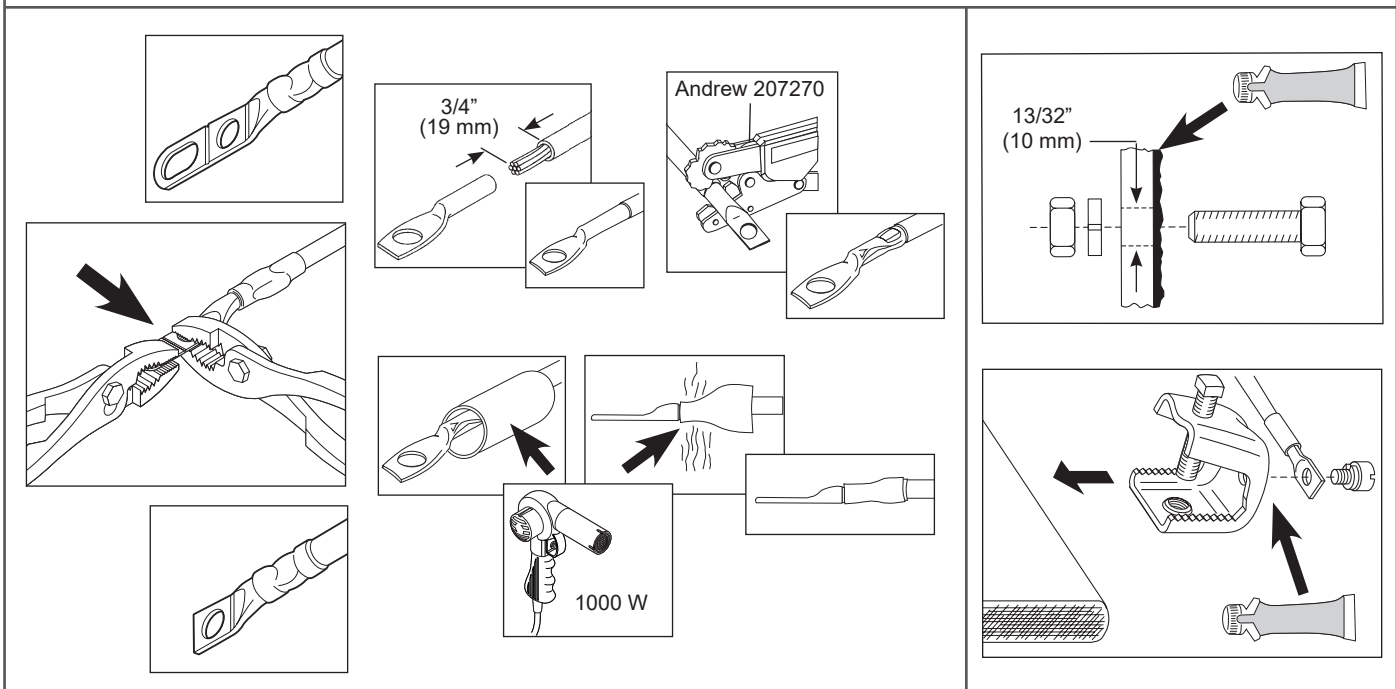
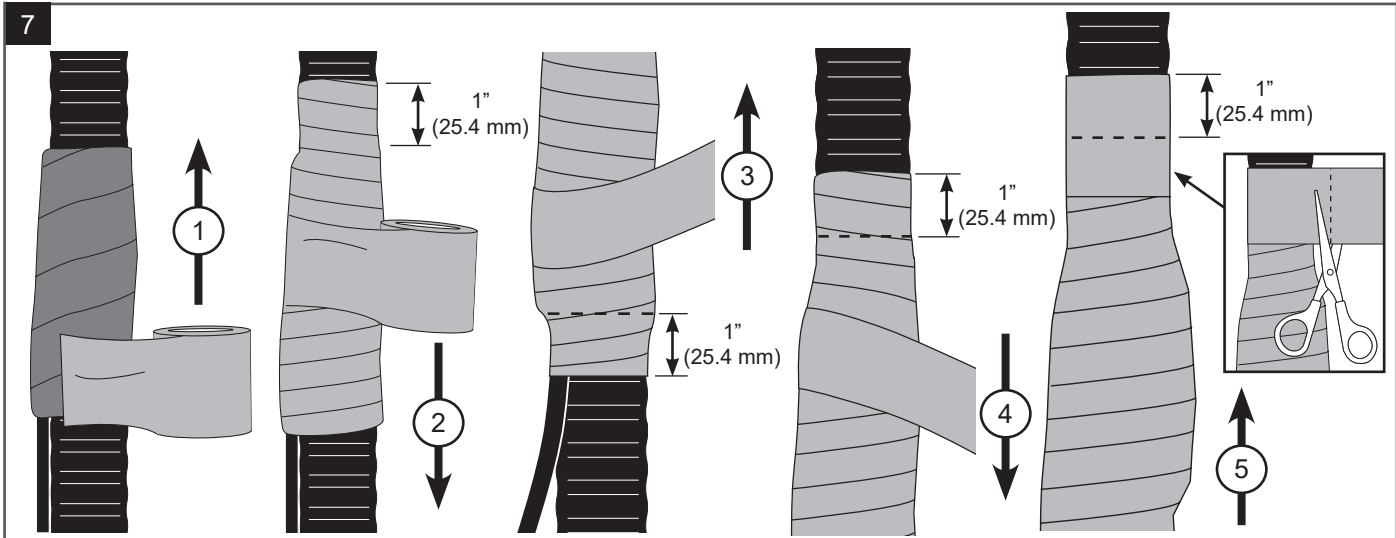
Andrew Institute offers installation training.

Cable size	Part number	Tool part number	Description
1/2"	SG12-06B2A	GKT-L4SG	Grounding kit stripping tool for corrugated 1/2" cable
1/2"	SG12-12B2U		
7/8"	SG78-06B2A	GKT-78SG	Grounding kit stripping tool for corrugated 7/8" cable
7/8"	SG78-12B2U		
1 1/4"	SG114-06B2A	GKT-114SG	Grounding kit stripping tool for corrugated 1 1/4" cable
1 1/4"	SG114-12B2U		
1 5/8"	SG158-06B2A	GKT-158SG	Grounding kit stripping tool for corrugated 1 5/8" cable
1 5/8"	SG158-12B2U		



WARNING Do not attempt grounding kit installation in the presence of thunderstorms. Failure to obey this warning may result in injury or death to you or to others.





ANDREW an Amphenol company
 2601 Telecom Parkway, Richardson, Texas, 75082, USA
 www.andrew.com

Technical Support
 +1 888 297 6433, Option 3 (Toll Free US and Canada)
 awpnarsupport@andrew.com

Notice: ANDREW disclaims any liability or responsibility for the results of improper or unsafe installation, inspection, maintenance, or removal practices.
 Aviso: ANDREW no acepta ninguna obligación ni responsabilidad como resultado de prácticas incorrectas o peligrosas de instalación, inspección, mantenimiento o retiro.
 Avis: ANDREW décline toute responsabilité pour les conséquences de procédures d'installation, d'inspection, d'entretien ou de retrait incorrectes ou dangereuses.
 Hinweis: ANDREW lehnt jede Haftung oder Verantwortung für Schäden ab, die aufgrund unsachgemäßer Installation, Überprüfung, Wartung oder Demontage auftreten.
 Atenção: A ANDREW abdica do direito de toda responsabilidade pelos resultados de práticas inadequadas e sem segurança de instalação, inspeção, manutenção ou remoção.
 Avvertenza: ANDREW declina eventuali responsabilità derivanti dall'esecuzione di procedure di installazione, ispezione, manutenzione e smontaggio improprie o poco sicure.
 注意: ANDREW 公司申明對於不恰當或不安全的安裝、檢驗、維修或拆卸操作所導致的后果不負任何義務和責任

©2025 ANDREW, an Amphenol company. All rights reserved. Amphenol and ANDREW are registered trademarks of Amphenol and/or its affiliates in the U.S. and other countries. All product names, trademarks and registered trademarks are property of their respective owners.

