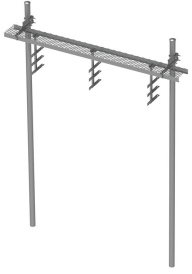


# WB-K110-B18

---



Safety Grated Waveguide Bridge Kit, 12 in x 10 ft, with two 18 ft direct burial posts

## Product Classification

<b>Portfolio</b>	CommScope®
<b>Product Type</b>	Waveguide bridge kit
<b>Ordering Note</b>	CommScope® standard product with terms

## General Specifications

<b>Application</b>	Direct burial
<b>Cable Runs, quantity</b>	12
<b>Pipe, quantity</b>	2

## Dimensions

<b>Height</b>	5,486.4 mm   216 in
<b>Width</b>	304.8 mm   12 in
<b>Length</b>	3048 mm   120 in
<b>Pipe Length</b>	5,486.4 mm   216 in

## Material Specifications

<b>Material Type</b>	Hot dip galvanized steel
----------------------	--------------------------

## Packaging and Weights

<b>Included</b>	Caps   Channel   Hardware   Posts   Support brackets   Trapeze
<b>Packaging quantity</b>	1
<b>Weight, net</b>	155 kg   341.716 lb

## Regulatory Compliance/Certifications

# WB-K110-B18

---

Agency	Classification
CHINA-ROHS	Above maximum concentration value
ROHS	Compliant/Exempted
UK-ROHS	Compliant/Exempted

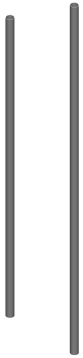


## Included Products

- MF-130 – Direct Burial Pipe Column, 13 ft 4 in
- WB-CY110 – Safety Grated Waveguide Bridge Channel, 12 in x 10 ft
- WB-LB12-3 – Waveguide Bridge Support Bracket, 12 in wide for 3-1/2 in OD legs
- WB-T12-3 – Trapeze Kit, triple tee, 12 in wide, three rungs

# MF-130

---



Direct Burial Pipe Column, 13 ft 4 in

## Product Classification

**Product Type** Pipe column

## General Specifications

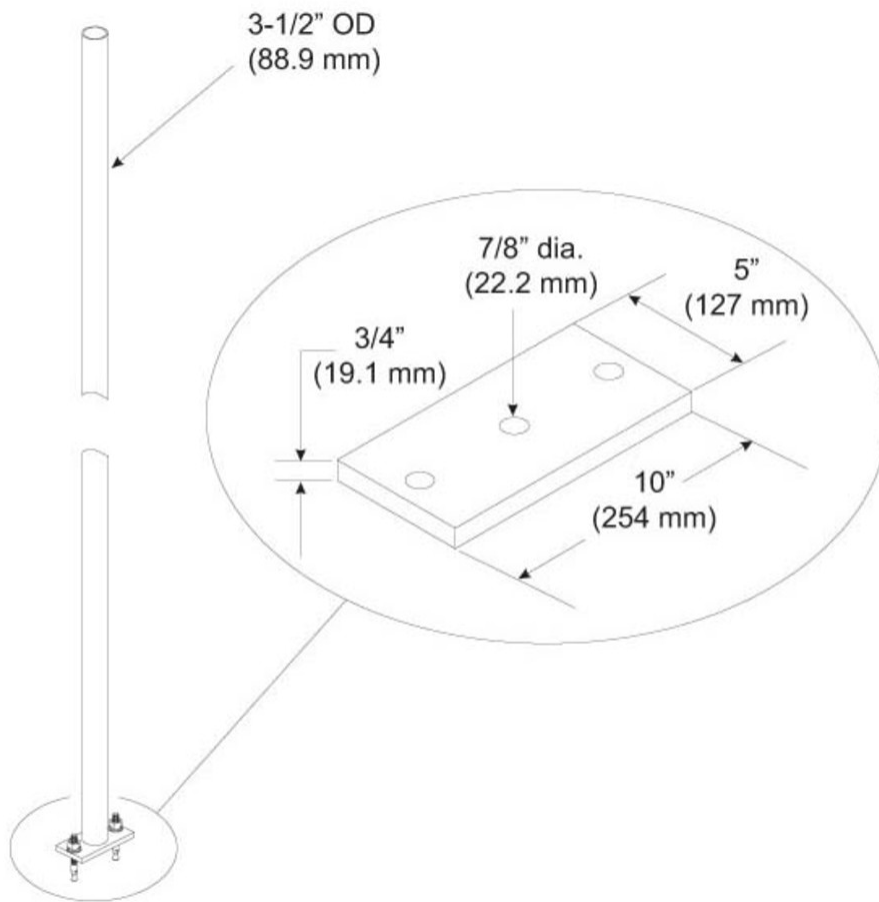
**Application** Direct burial  
**Mounting** Waveguide bridge support bracket  
**Pipe, quantity** 1

## Dimensions

**Height** 4064 mm | 160 in  
**Width** 88.9 mm | 3.5 in  
**Length** 88.9 mm | 3.5 in  
**Pipe Length** 4,053.84 mm | 159.6 in  
**Pipe Outer Diameter** 88.9 mm | 3.5 in

# MF-130

## Outline Drawing



## Material Specifications

**Material Type** Hot dip galvanized steel

## Packaging and Weights

**Included** Anchors | Pipe

**Packaging quantity** 1

**Weight, net** 45.8 kg | 100.972 lb

## Regulatory Compliance/Certifications

**Agency** **Classification**

# MF-130

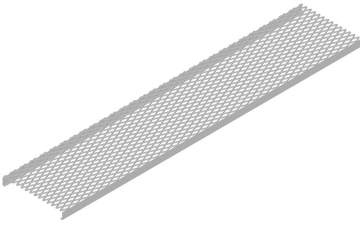
---

CHINA-ROHS	Above maximum concentration value
ISO 9001:2015	Designed, manufactured and/or distributed under this quality management system
ROHS	Compliant/Exempted
UK-ROHS	Compliant



# WB-CY110

---



Safety Grated Waveguide Bridge Channel, 12 in x 10 ft

## Product Classification

**Product Type** Waveguide bridge channel

## General Specifications

**Application** Waveguide bridge kit, 12 in

## Dimensions

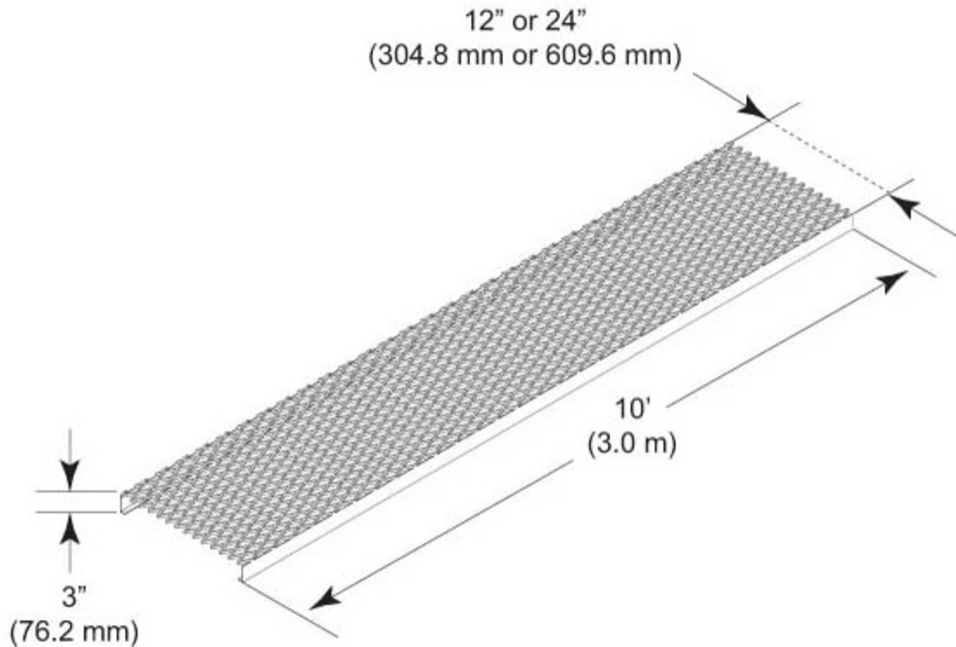
**Height** 76.2 mm | 3 in

**Width** 304.8 mm | 12 in

**Length** 3048 mm | 120 in

# WB-CY110

## Outline Drawing



## Material Specifications

**Material Type** Hot dip galvanized steel

## Packaging and Weights

**Included** Bridge channel

**Packaging quantity** 1

**Weight, net** 31.8 kg | 70.107 lb

## Regulatory Compliance/Certifications

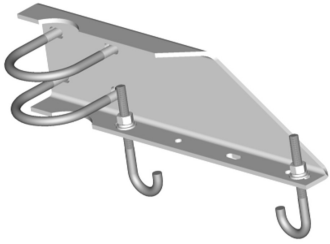
Agency	Classification
CHINA-ROHS	Above maximum concentration value
ISO 9001:2015	Designed, manufactured and/or distributed under this quality management system
ROHS	Compliant/Exempted
UK-ROHS	Compliant





# WB-LB12-3

---



Waveguide Bridge Support Bracket, 12 in wide for 3-1/2 in OD legs

## Product Classification

**Product Type** Support bracket

## General Specifications

**Application** Waveguide bridge kit, 12 in

**Cable Runs, quantity** 12

**Mounting** Pipe, 88.9 mm (3-1/2 in) OD

## Dimensions

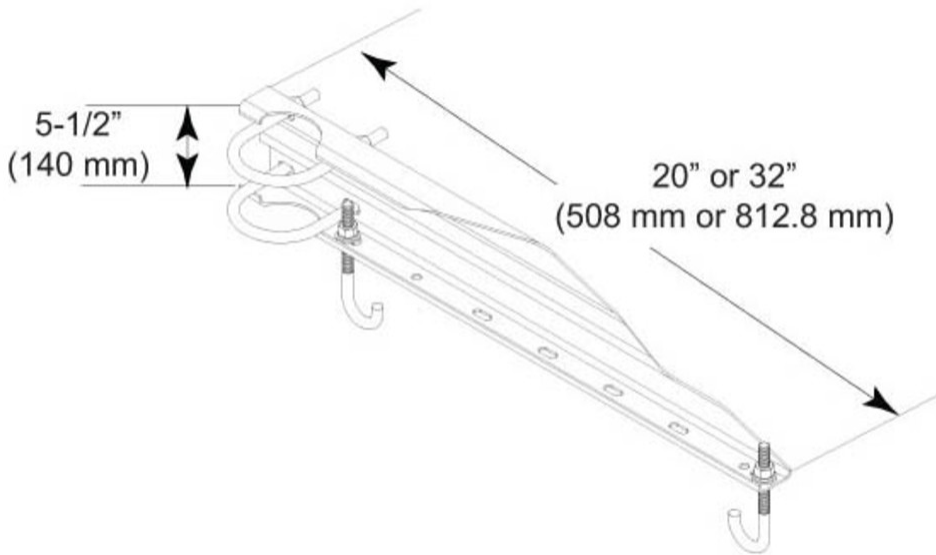
**Height** 50.8 mm | 2 in

**Width** 508 mm | 20 in

**Length** 152.4 mm | 6 in

# WB-LB12-3

## Outline Drawing



## Material Specifications

**Material Type** Hot dip galvanized steel

## Packaging and Weights

**Included** Brackets | Hardware

**Packaging quantity** 1

**Weight, net** 5.4 kg | 11.905 lb

## Regulatory Compliance/Certifications

### Agency

CHINA-ROHS

ISO 9001:2015

REACH-SVHC

ROHS

UK-ROHS

### Classification

Below maximum concentration value

Designed, manufactured and/or distributed under this quality management system

Compliant as per SVHC revision on [www.commscope.com/ProductCompliance](http://www.commscope.com/ProductCompliance)

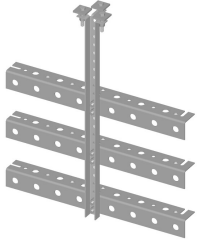
Compliant

Compliant



# WB-T12-3

---



Trapeze Kit, triple tee, 12 in wide, three rungs

## Product Classification

**Product Type** Trapeze kit

## General Specifications

**Application** Waveguide bridge kit, 12 in

**Cable Runs, quantity** 12

**Hole, quantity** 12

**Mounting** Waveguide bridge channel

**Rungs, quantity** 3

## Dimensions

**Height** 76.2 mm | 3 in

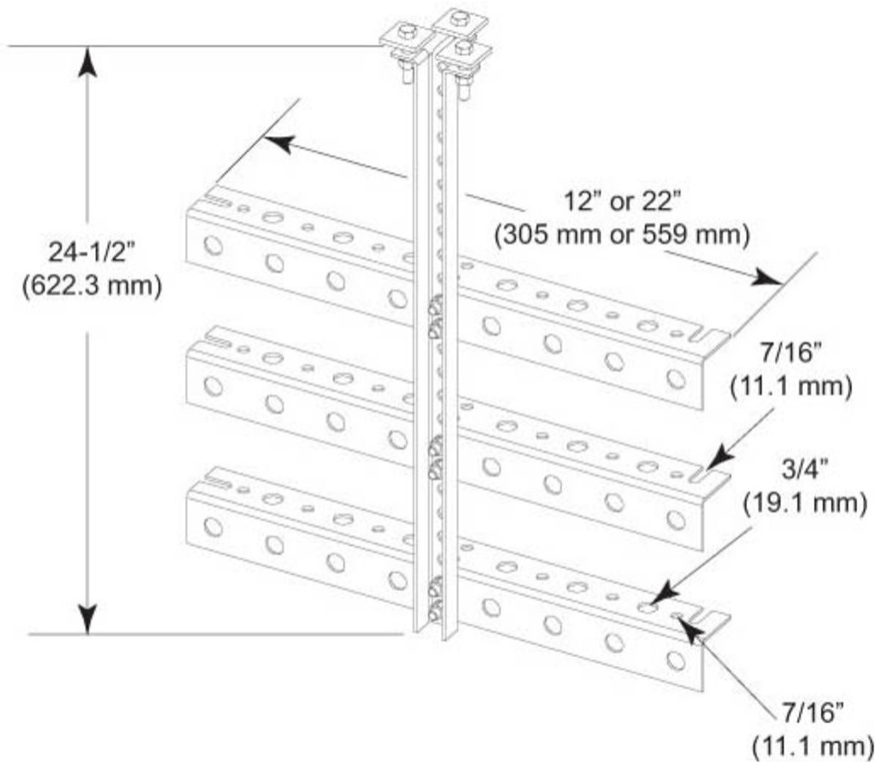
**Width** 304.8 mm | 12 in

**Length** 635 mm | 25 in

**Hole Size** 3/4 in | 7/16 in

# WB-T12-3

## Outline Drawing



## Material Specifications

**Material Type** Hot dip galvanized steel

## Packaging and Weights

**Included** Angle brackets | Mounting hardware

**Packaging quantity** 1

**Weight, net** 4.1 kg | 9.039 lb

## Regulatory Compliance/Certifications

Agency	Classification
ISO 9001:2015	Designed, manufactured and/or distributed under this quality management system
REACH-SVHC	Compliant as per SVHC revision on <a href="https://www.commscope.com/ProductCompliance">www.commscope.com/ProductCompliance</a>
ROHS	Compliant
UK-ROHS	Compliant

