

KwikClamp™ Hangers

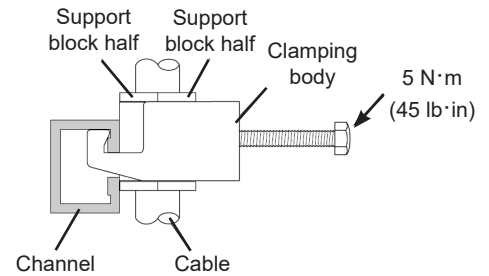
for Fiber, Power, Hybrid and Coaxial Assemblies

Bulletin 7857216 Revision D Page 1 of 1

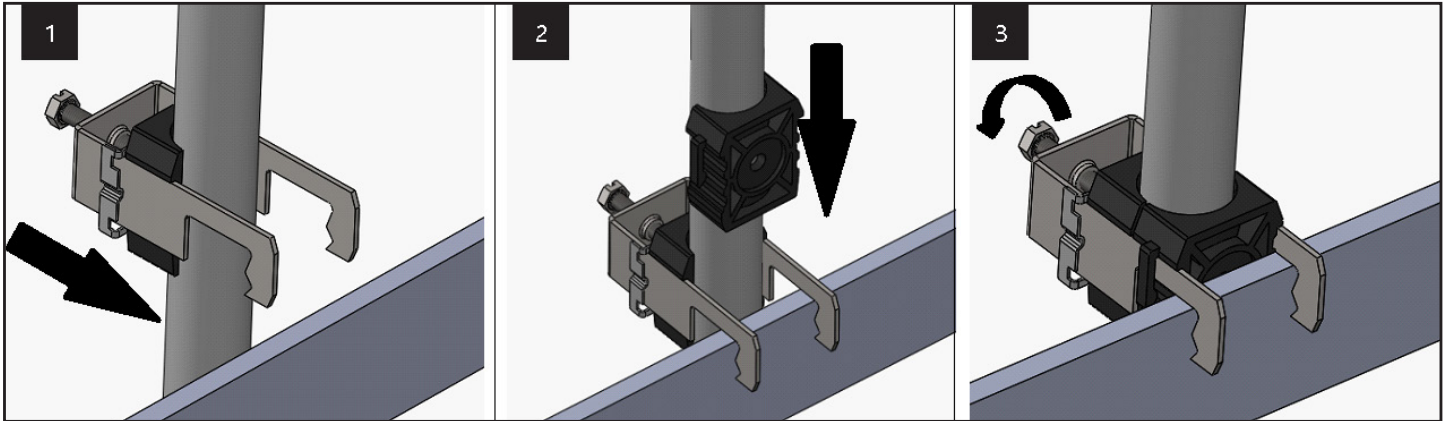
CommScope Infrastructure Academy offers installation training.

Description

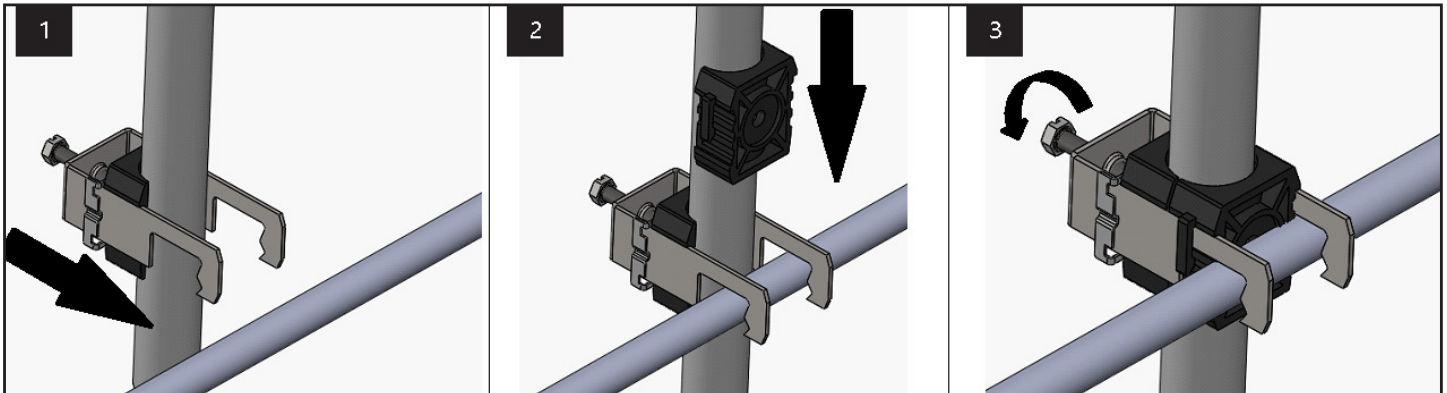
The KwikClamp hanger consists of a clamping body, which mounts on a flat 3-25 mm section or 8-25 mm round pipe. They have two support blocks that surround the cable. The assembly is secured by compressing the blocks against the tower member with a bolt. Hanger kits are available for 1, 2, 3 or 4 cable runs.



Flat / Channel mounting



Round member mounting



Step 1: Place the clamp body and first saddle (preferably from above) around the cables and hook it on the support.

Step 2: Insert second saddle (preferably from above). Repeat the steps 1-2 for each cable.

Step 3: Tighten the self-locking screw to 5 N·m torque.

Recommended Maximum Hanger Spacing, 1.83 m with a Wind Speed of 137 km/h and No Ice.

CommScope

3642 E US Highway 70, Claremont, NC 28610 USA
(828) 324-2200 (800) 982-1708
www.commscope.com

Technical Support

+1 888 297 6433, Option 3 (Toll Free US and Canada)
+1 49-9099-69-333
<https://www.commscope.com/wisupport> (open a ticket)

Notice: CommScope disclaims any liability or responsibility for the results of improper or unsafe installation, inspection, maintenance, or removal practices.
Aviso: CommScope no acepta ninguna obligación ni responsabilidad como resultado de prácticas incorrectas o peligrosas de instalación, inspección, mantenimiento o retiro.
Avis: CommScope décline toute responsabilité pour les conséquences de procédures d'installation, d'inspection, d'entretien ou de retrait incorrectes ou dangereuses.
Hinweis: CommScope lehnt jede Haftung oder Verantwortung für Schäden ab, die aufgrund unsachgemäßer Installation, Überprüfung, Wartung oder Demontage auftreten.
Atenção: A CommScope abdica do direito de toda responsabilidade pelos resultados de práticas inadequadas e sem segurança de instalação, inspeção, manutenção ou remoção.
Avvertenza: CommScope declina eventuali responsabilità derivanti dall'esecuzione di procedure di installazione, ispezione, manutenzione e smontaggio improprie o poco sicure.
注意: CommScope 公司申明對於不恰當或不安全的安裝、檢驗、維修或拆卸操作所導致的後果不負責任 何義務和責任