

WT-HRM2-126



Water Tower Top Rail Mount, 2-3/8 in OD x 126 in plain end pipe included

Product Classification

Product Type Water tower mount

General Specifications

Mounting Handrail | Toe board

Pipe, quantity 1

Dimensions

Height 3,200.4 mm | 126 in

Width 203.2 mm | 8 in

Length 609.6 mm | 24 in

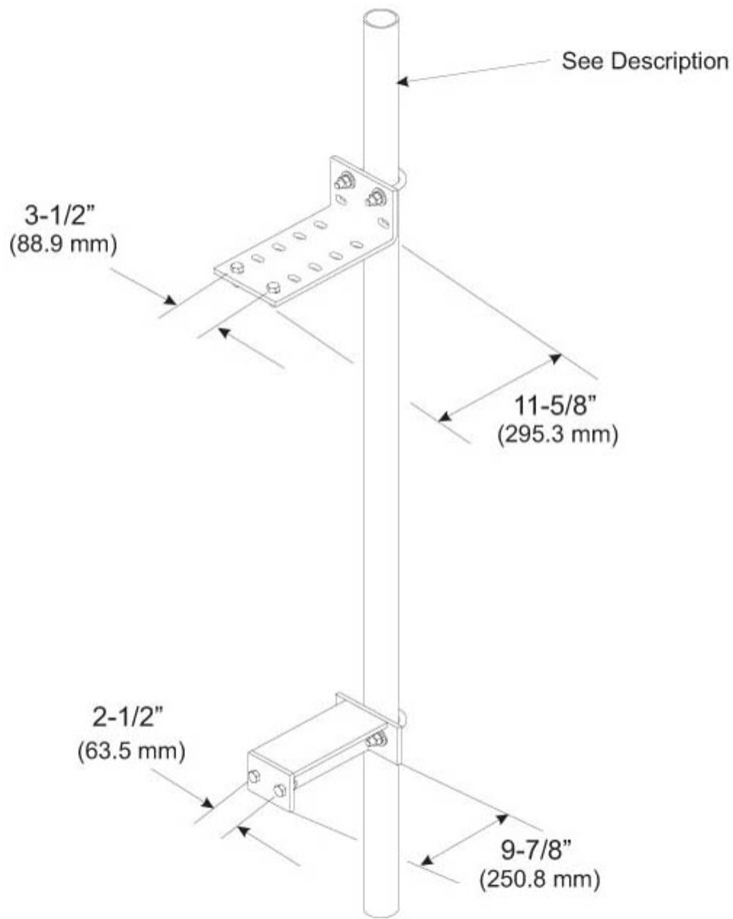
Pipe Length 3,200.4 mm | 126 in

Pipe Outer Diameter 60.96 mm | 2.4 in

Stand-off Distance 228.6 mm | 9 in

WT-HRM2-126

Outline Drawing



Material Specifications

Material Type Hot dip galvanized steel

Packaging and Weights

Included Hardware | Mount | Plain end pipes

Packaging quantity 1

Weight, net 26.399 kg | 58.2 lb

Regulatory Compliance/Certifications

Agency **Classification**

WT-HRM2-126

ISO 9001:2015

Designed, manufactured and/or distributed under this quality management system



Included Products

- MT-537 – Plain End Pipe, 2-3/8 in OD x 126 in .120" A500C 46Ksi
- WT-HRM2-B – Water Tower Top Rail Mount for 2-3/8 in OD mounting pipe, plain end pipe not included