

4

3

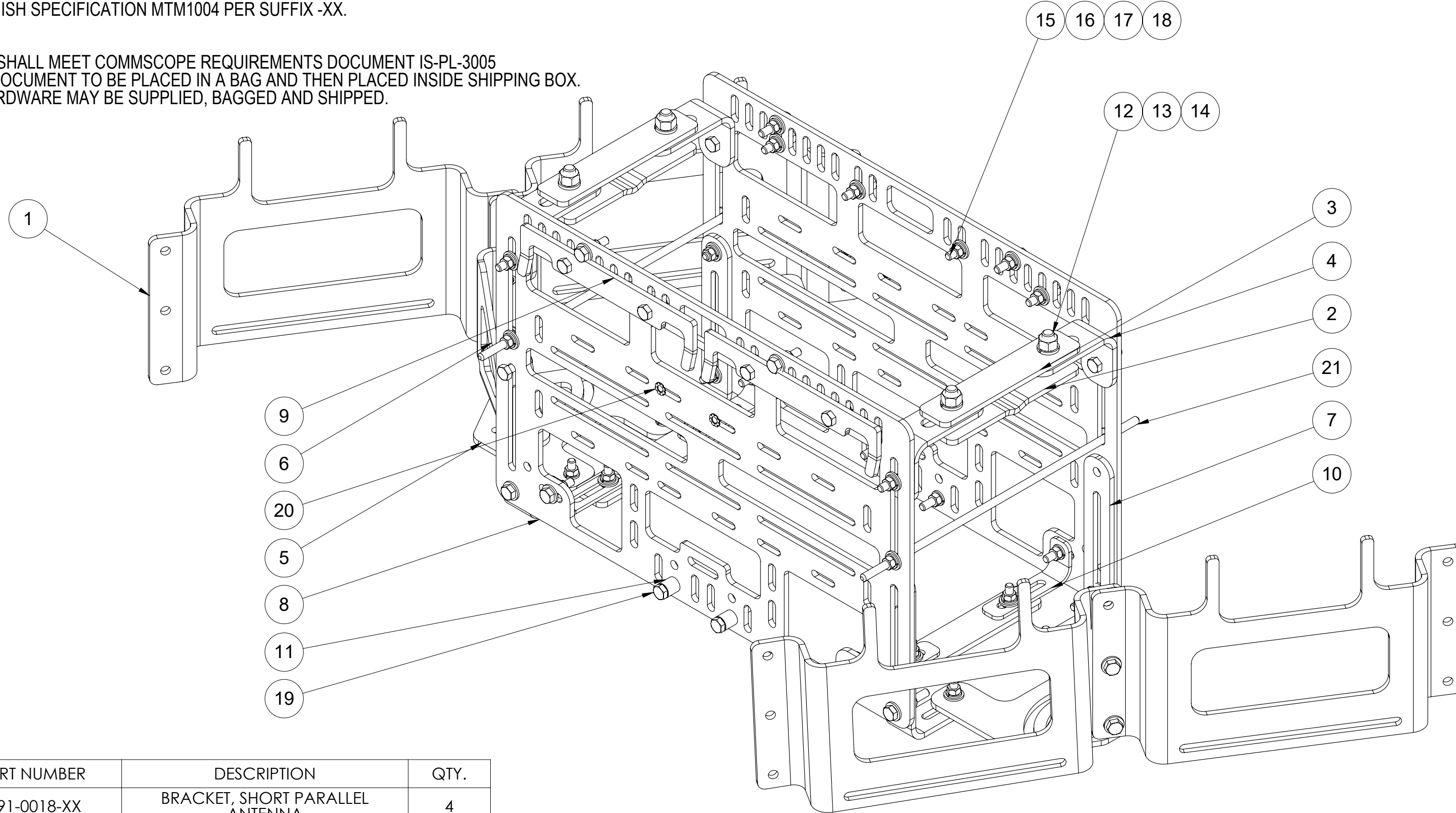
2

1

NOTES:

- 1.0 GENERAL
 - 1.1 ALL METRIC DIMENSIONS ARE IN BRACKETS
 - 1.2 FOR PATENT INFO :<https://www.cs-pat.com>
- 2.0 DESIGN NOTES
- 3.0 MANUFACTURING/SPECIAL REQUIREMENTS
 - 3.1 TORQUE 1/4" HARDWARE 7 FT-LBS
TORQUE 3/8" HARDWARE 25 FT-LBS
 - 3.2 FINISH: POWDER COAT SURFACE PER COMMSCOPE'S PRODUCT
COLOR/FINISH SPECIFICATION MTM1004 PER SUFFIX -XX.
- 4.0 TEST
- 5.0 PACKAGING
 - 5.1 PACKAGE SHALL MEET COMMSCOPE REQUIREMENTS DOCUMENT IS-PL-3005
 - 5.2 PRINTED DOCUMENT TO BE PLACED IN A BAG AND THEN PLACED INSIDE SHIPPING BOX.
 - 5.3 EXTRA HARDWARE MAY BE SUPPLIED, BAGGED AND SHIPPED.

REVISIONS				
REV.	ECN	DESCRIPTION	BY	DATE
A	40136521CMO	NEW RELEASED.	HCHEN5	10/22/2021



ITEM NO.	PART NUMBER	DESCRIPTION	QTY.
1	MTC4091-0018-XX	BRACKET, SHORT PARALLEL ANTENNA	4
2	MTC4091-0022-XX	CLAMP, STRAND MOUNT CABLE	2
3	MTC4091-0023-XX	PLATE, EXTENSION	4
4	MTC4091-0024-XX	BRACKET, STRAND MOUNTING	4
5	MTC4091-0032-XX	PLATE, ROTATION ANTENNA	2
6	MTC4091-0033-XX	BRACKET, ROTATING ANTENNA MOUNTING	2
7	MTC4091-0034-XX	BRACKET, ROTATING ANTENNA ANGLE	4
8	MTC4091-0041-XX	PLATE, RADIO MOUNTING	2
9	MTC4091-0042-XX	CLAMP, RADIO MOUNTING	2
10	MTC4091-0047-XX	BRACKET, STRAND BOTTOM SUPPORT	4
11	MTC4091-1001	SPACER, .250 UNTHREADED X .50 LG	3
12	SB-0314FT	3/8" X 1-1/2" SS BOLT, FULL THREAD	4
13	SWL-03	3/8" SS LOCK WASHER	4
14	SN-03	3/8" SS HEX NUT	4
15	SB-0210	1/4" X 1" SS BOLT	41
16	SWF-02	FLAT WASHER, 1/4" SS	70
17	SWL-02	1/4" SS LOCK WASHER	50
18	SN-02	1/4" SS HEX NUT	52
19	9963-120	SCR,HEX CAP,1/4-20,1.5,SST,PASS	5
20	100912-4	WSHR,LCK,EX TOOTH,M6,SST,PASS	6
21	MTC9350.03	1/4" X 12" SS THREADED ROD	2

COMMSCOPE, INC. OF NORTH CAROLINA

TOLERANCES		SAP MATERIAL MASTER	
1 PLACE .XX ± 3	3 PLACE .XXX ± 0.20	SCSTSR-301-S	
2 PLACE .XX ± 1.0	ANGLES ± 0.5°		
FINISH		MATERIAL	
		ALUMINUM PLATE	
UNLESS OTHERWISE SPECIFIED DIMENSIONS ARE IN INCHES INTERPRET PER ANSI Y 14.5M-1994	NAME	DATE	TITLE
	CE HCHEN5	10/22/2021	STRAND MT DUAL DIRECTIONAL ANT ERRICSON A
	RW HCHEN5	10/22/2021	
	AD BCROSS	11/24/2021	
	RE BCROSS	11/24/2021	
ECN 40136521CMO		SCALE 1:5	DOCUMENT NO. SCSTSR-301-S
SIZE C	Auth Group	INSL	MODEL
			VERSION STATUS REVISION
			VERSION STATUS REVISION
			00 RE A 00 RE A
			SHEET 1 OF 2

DENSITY	lbs/in ³
MASS	6723.5293 lbs
VOLUME	2239335.7801 in ³
SURFACE AREA	1203473.9768 in ²
HEIGHT	
LENGTH	
WIDTH	

4

3

2

1

4

3

2

1

NOTES:

D

D

C

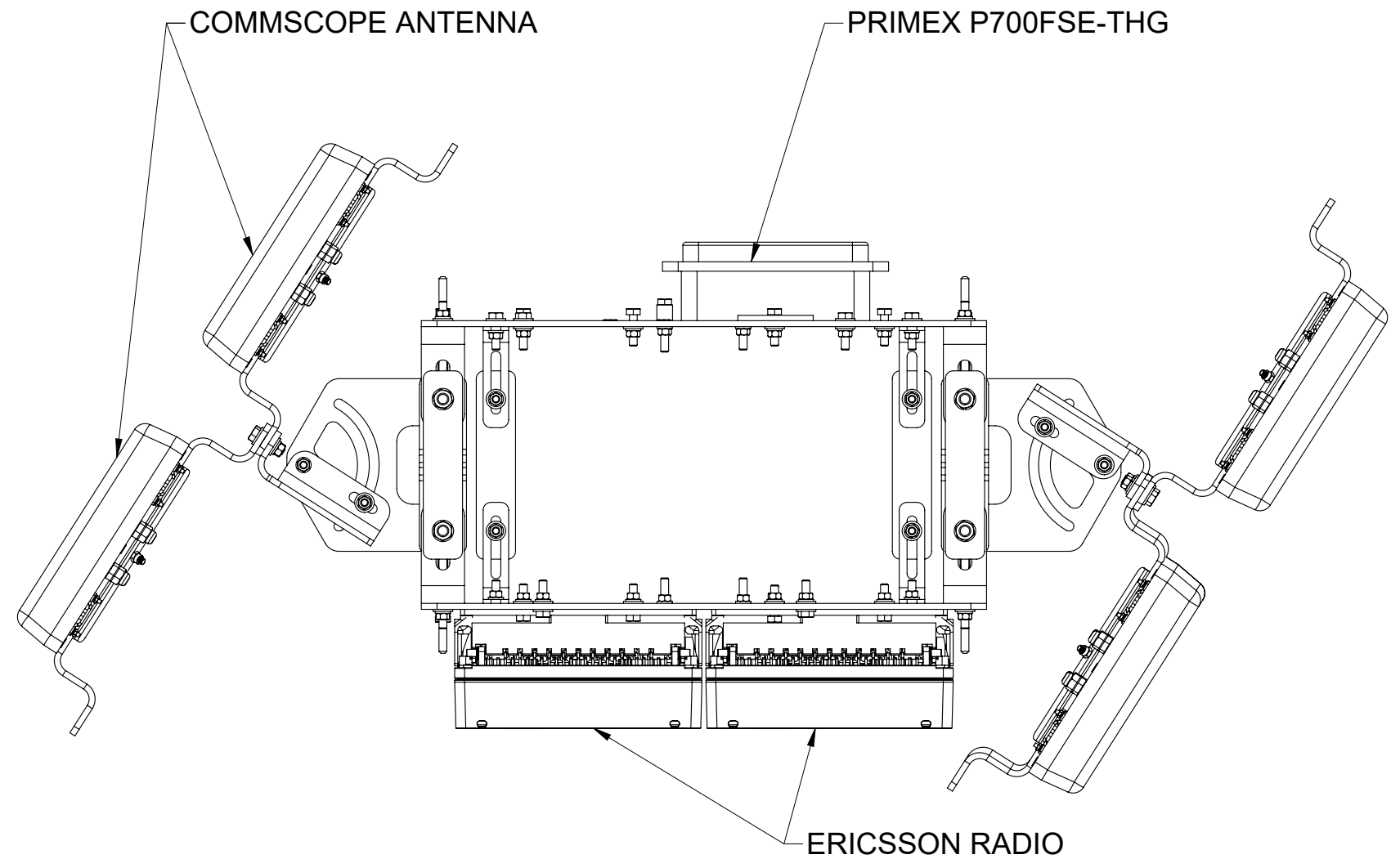
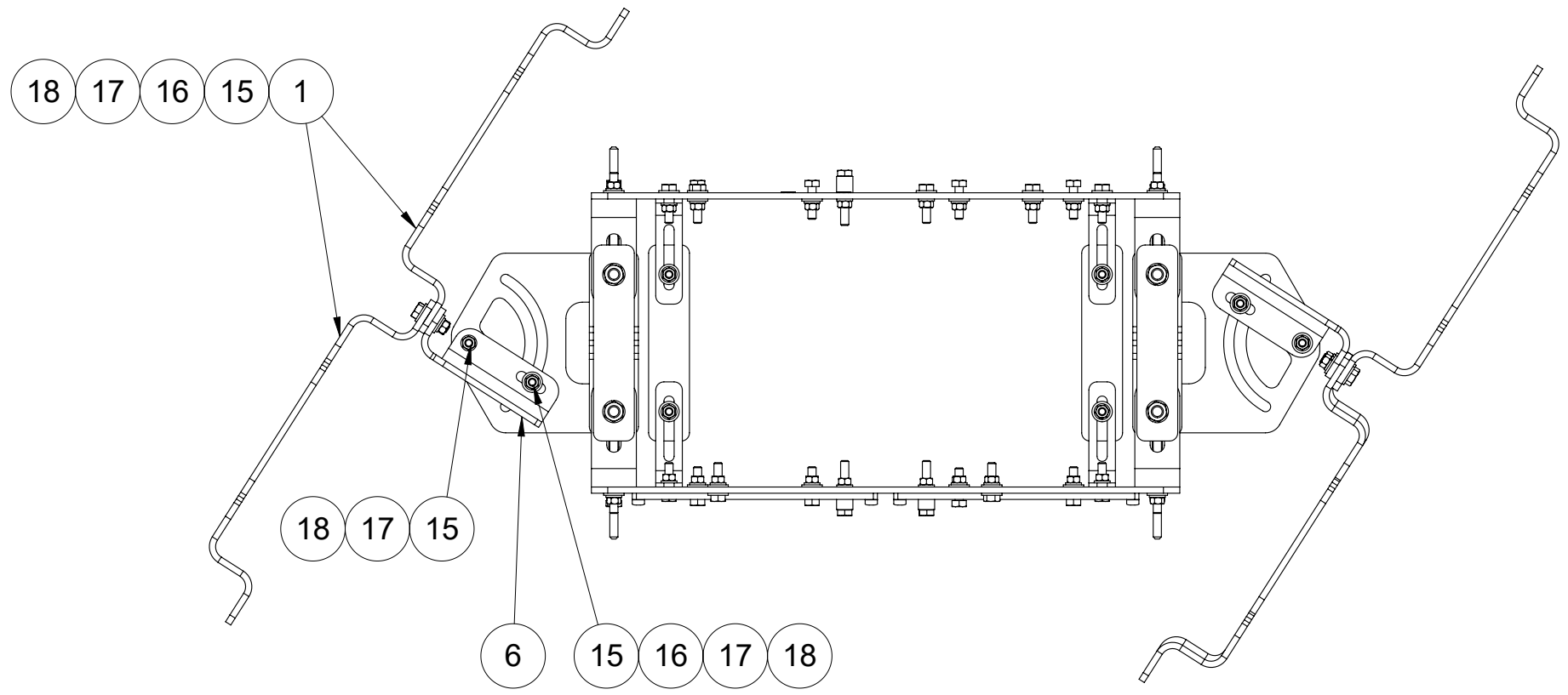
C

B

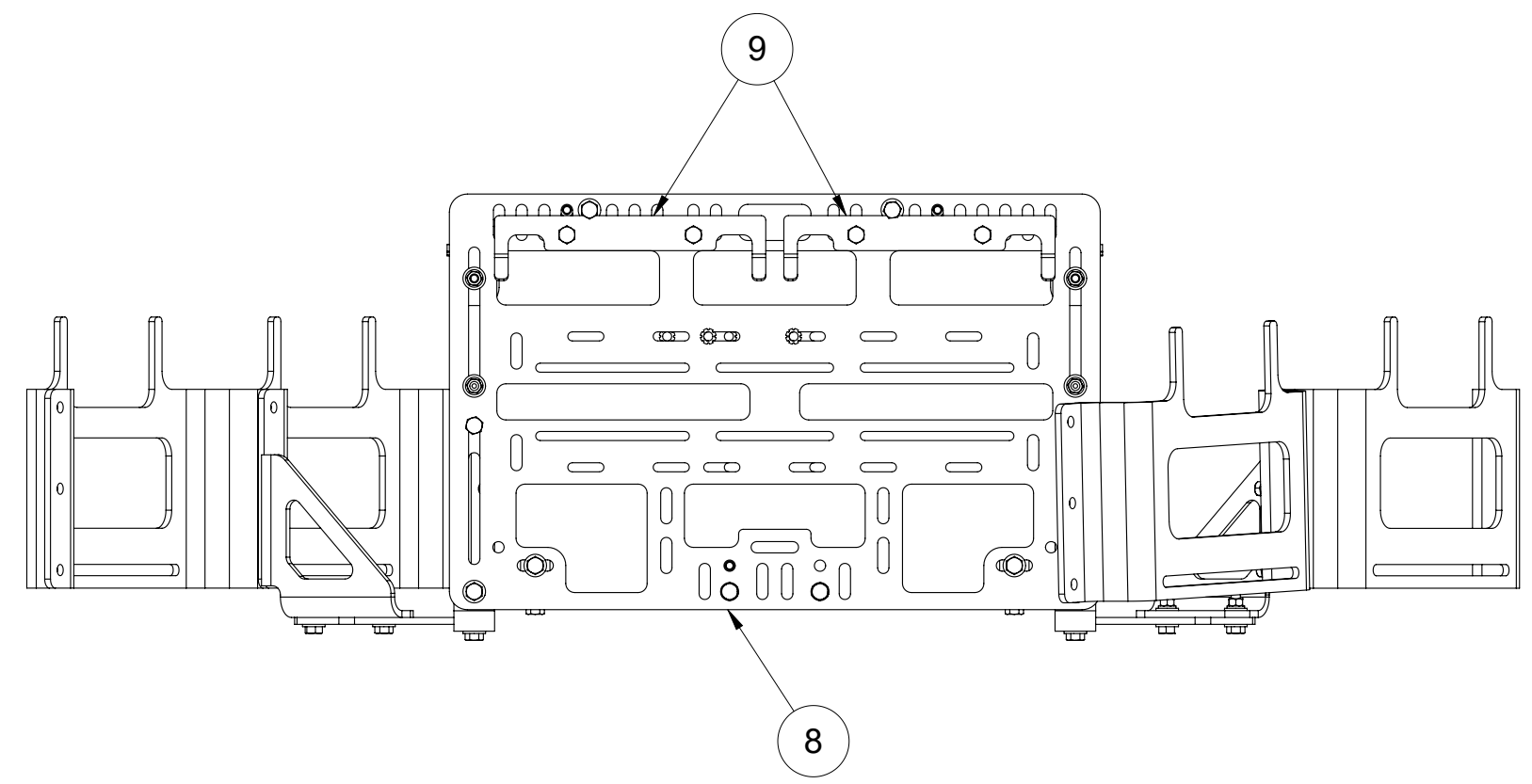
B

A

A



TOP VIEW



COMMSCOPE, INC. OF NORTH CAROLINA				
TITLE STRAND MT DUAL DIRECTIONAL ANT ERRICSON				
SIZE C	SCALE 1:10	DOCUMENT NO. SCSTSR-301-S		
		DRAWING		SHEET
		VERSION	STATUS	REVISION
		00	RE	A
				2 OF 2

© 2021 CommScope, Inc. Confidential

4

3

2

1