

WT-RTA6-96E



Water Tower Rooftop Sector Frame Extension, 6 ft, one 2-3/8 in OD x 96 in plain end pipe included

Product Classification

Product Type Water tower mount

General Specifications

Mounting Weld-on feet

Pipe, quantity 1

Dimensions

Height 2,438.4 mm | 96 in

Face Width 1.829 m | 6 ft

Width 1,828.8 mm | 72 in

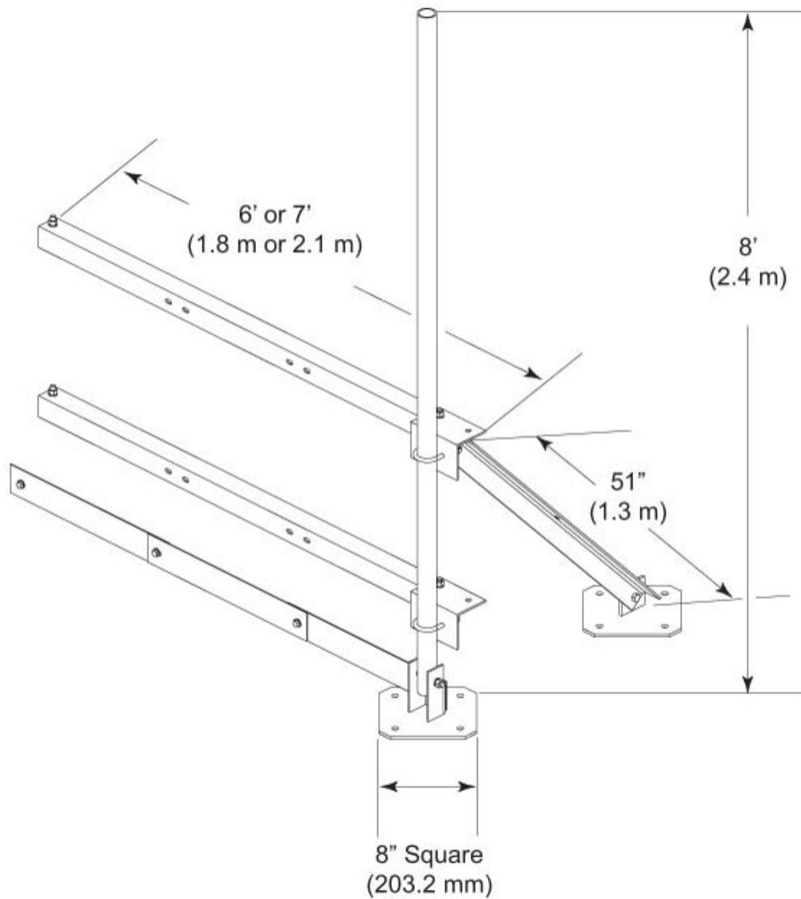
Length 1,219.2 mm | 48 in

Pipe Length 2,438.4 mm | 96 in

Pipe Outer Diameter 60.96 mm | 2.4 in

WT-RTA6-96E

Outline Drawing



Material Specifications

Material Type Hot dip galvanized steel

Packaging and Weights

Included Mount | Plain end pipes

Packaging quantity 1

Weight, net 81.193 kg | 179 lb

Regulatory Compliance/Certifications

| Agency | Classification |
|--------|----------------|
|--------|----------------|

WT-RTA6-96E

ISO 9001:2015

Designed, manufactured and/or distributed under this quality management system

