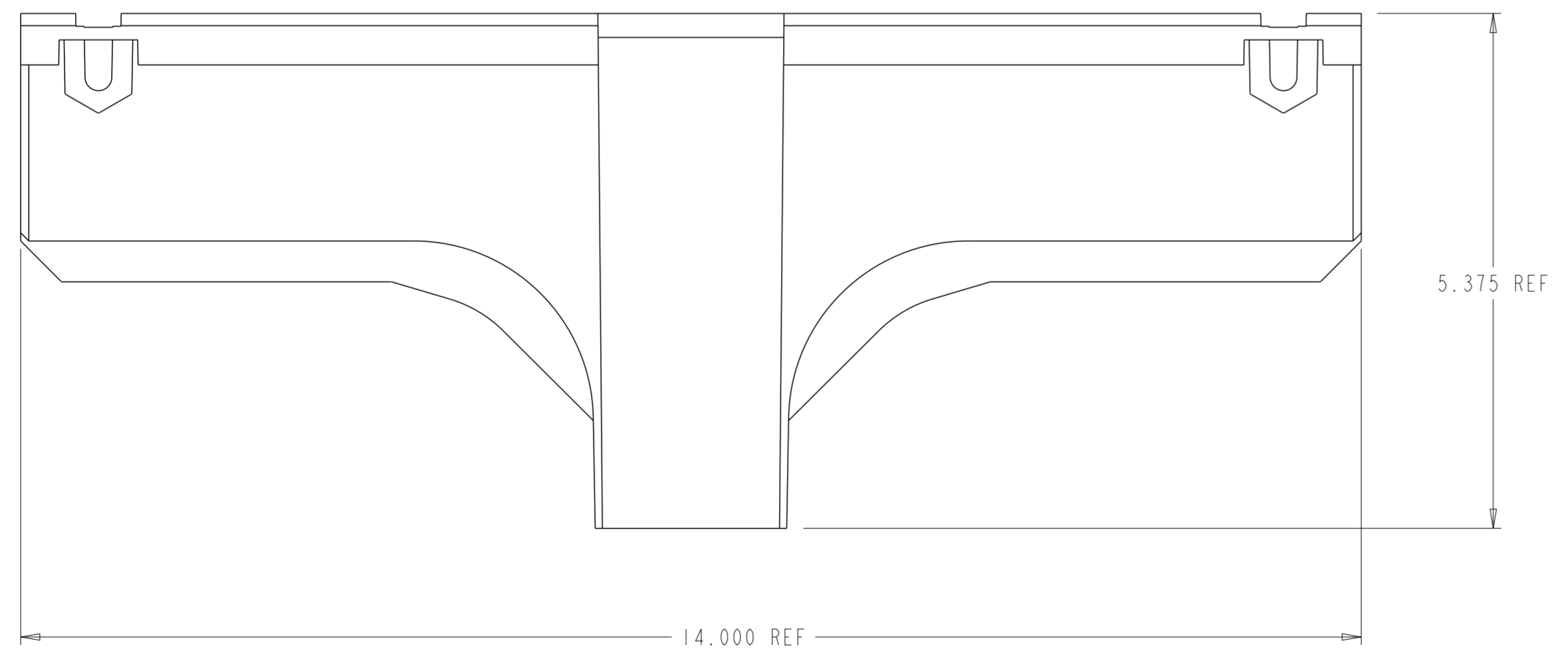
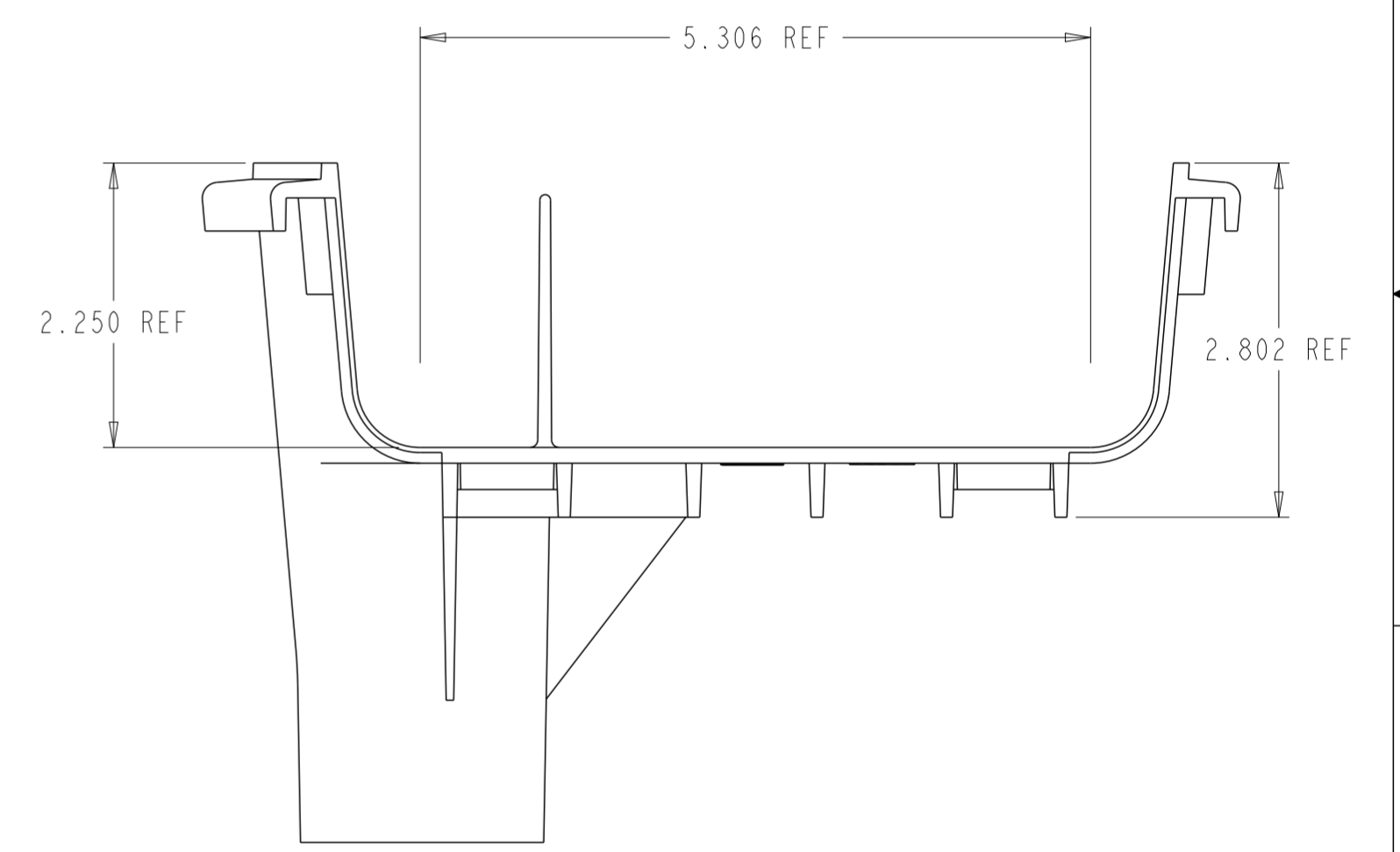
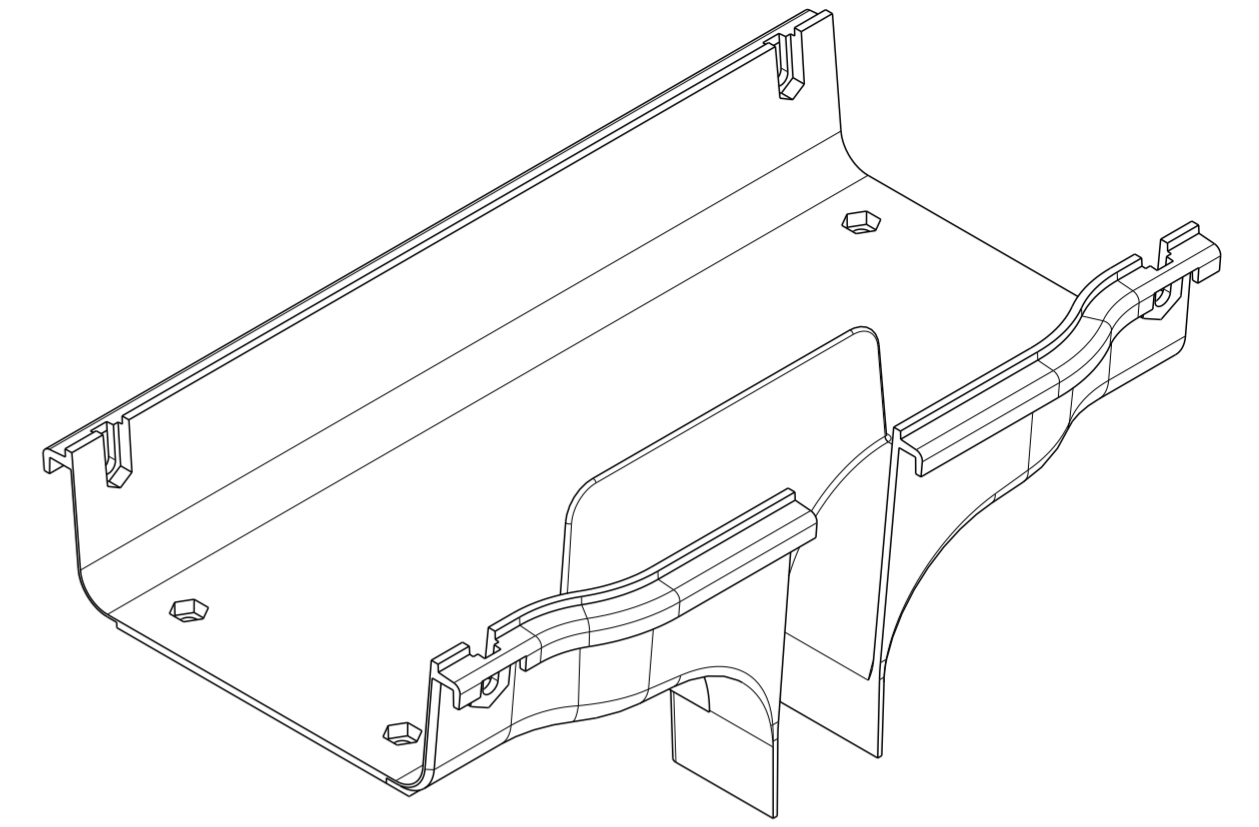
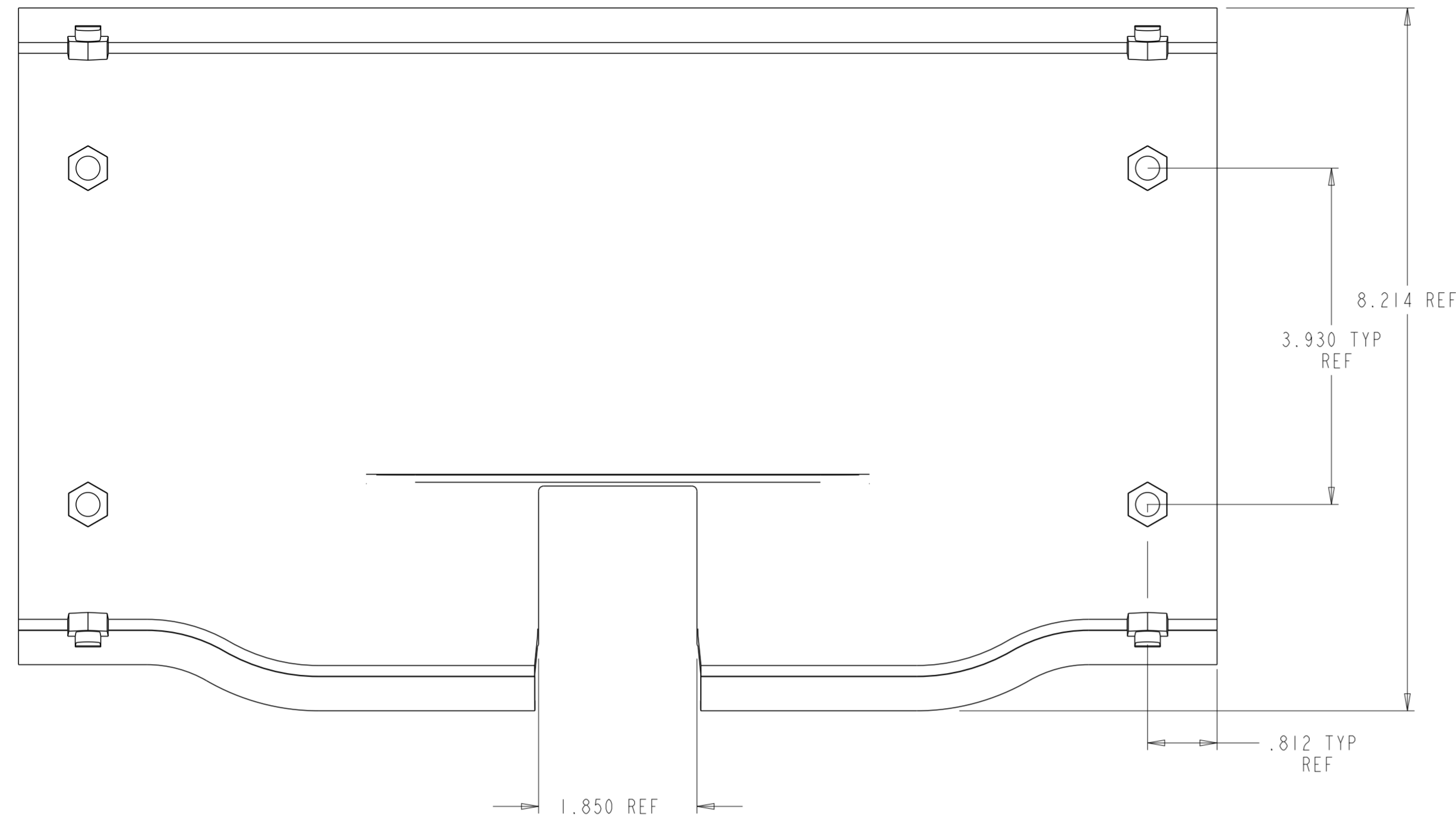


REVISIONS			
REV	CMO	DATE	APPROVED
C	20240563CMO	13-MAY-08	AED
D	40174092CMO	26-SEP-23	FS



FGSB-MDSP-G	BLACK
FGS-MDSP-G	YELLOW
<b>CATALOG NO.</b>	<b>COLOR</b>

**NOTE:**  
1. MATERIAL IS SELF EXTINGUISHING WITH A UL 94 RATING OF V-0.

<b>COMMSCOPE, INC.</b>			
DRAFTER FERNANDO SALDIVAR		TITLE DOWNSPOUT, 2X6 TO 2X2, FGS	
ENGINEER RUBEN ARVILLA		SIZE A2	SCALE 0.750
		DOCUMENT NO. 1189164_ADC	
CUSTOMER DRAWING			REVISION D
			SHEET 1 OF 1