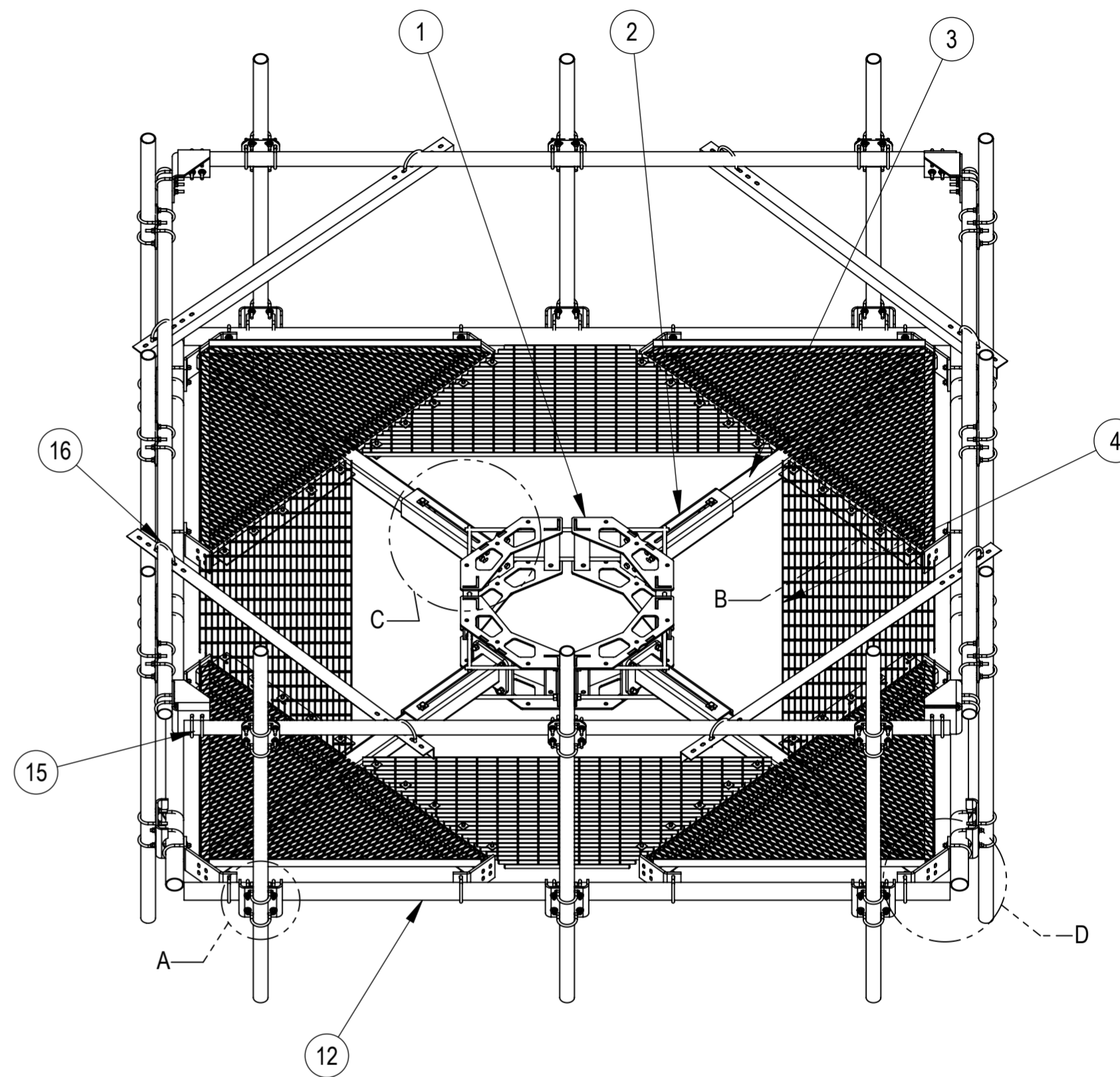
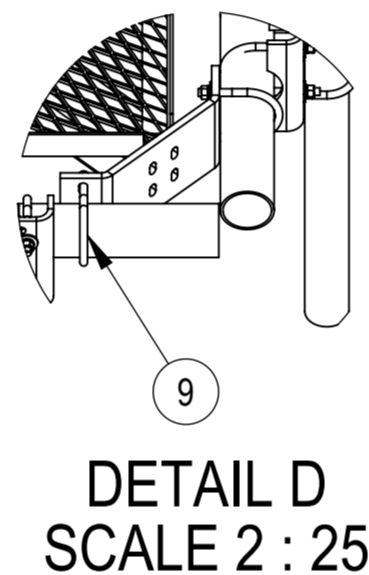
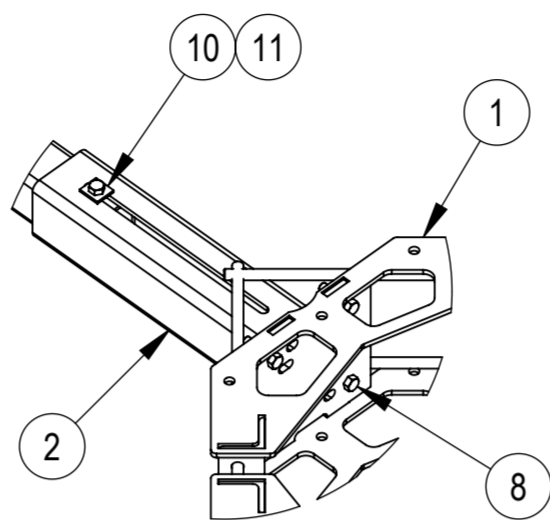
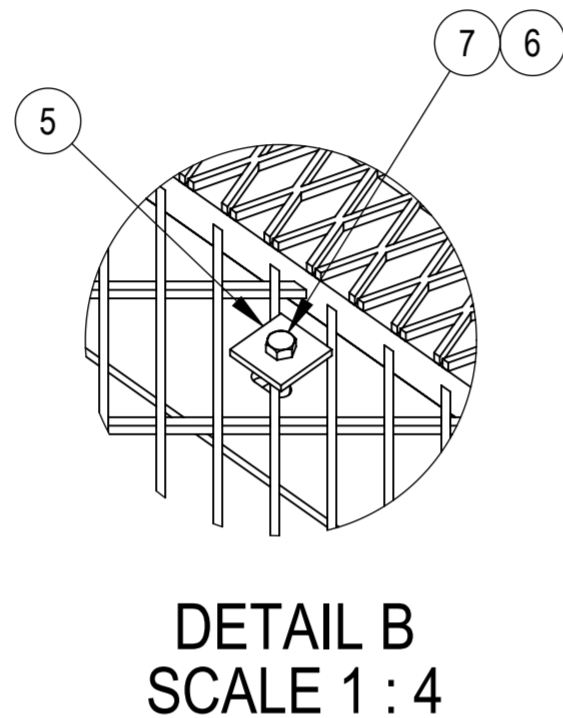
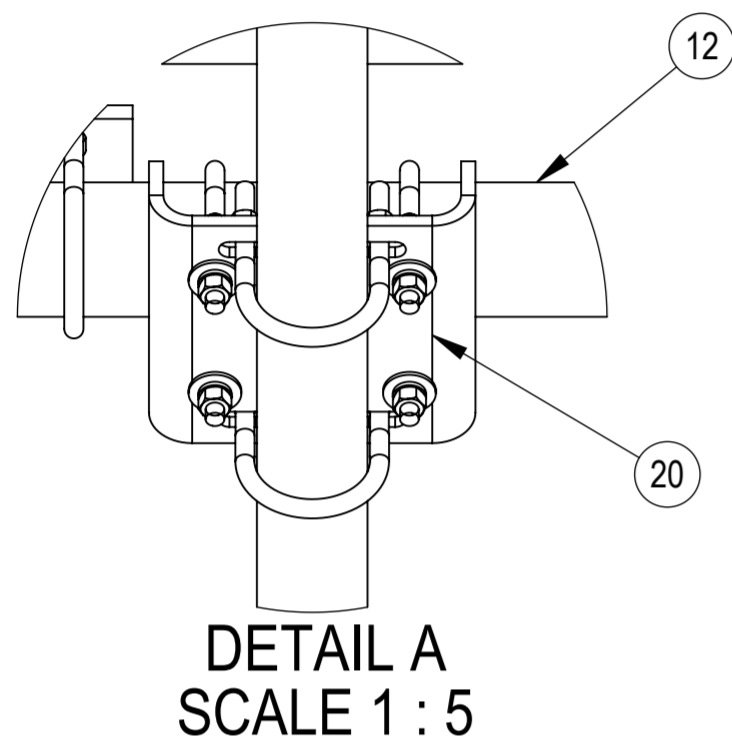


- 1.0 GENERAL NOTES
 1.1 ALL IMPERIAL DIMENSIONS ARE IN BRACKETS [X.XX]
 1.2 FOR PATENT INFO: <https://www.cs-pat.com>
 2.0 DESIGN NOTES
 3.0 MANUFACTURING/SPECIAL REQUIREMENTS
 3.1 TIGHTEN ALL BOLTS SECURING FLAT PLATES BY THE TURN-OF-NUT METHOD. TIGHTEN ALL U-BOLTS USING TURN-OF-NUT METHOD WITH ATTENTION TO LEAVE EQUAL DISTANCE AND EQUAL FORCE ON EACH LEG OF THE U-BOLT.
 4.0 TEST
 5.0 PACKAGING
 5.1 PACKAGING SHALL MEET COMMSCOPE REQUIRMENTS PER DOCUMENT IS-PL-3005
 5.2 PRINTED DOCUMENT TO BE PLACED INSIDE POLYBAG AND THEN IN SHIPPING CONTAINER
 5.3 EXTRA HARDWARE MAYBE SUPPLIED, BAGGED AND SHIPPED.

REVISIONS			
REV.	DESCRIPTION	DATE	APPROVED
A	INITIAL RELEASE	XG1026 20SEP22	XK1001 40156793CMO



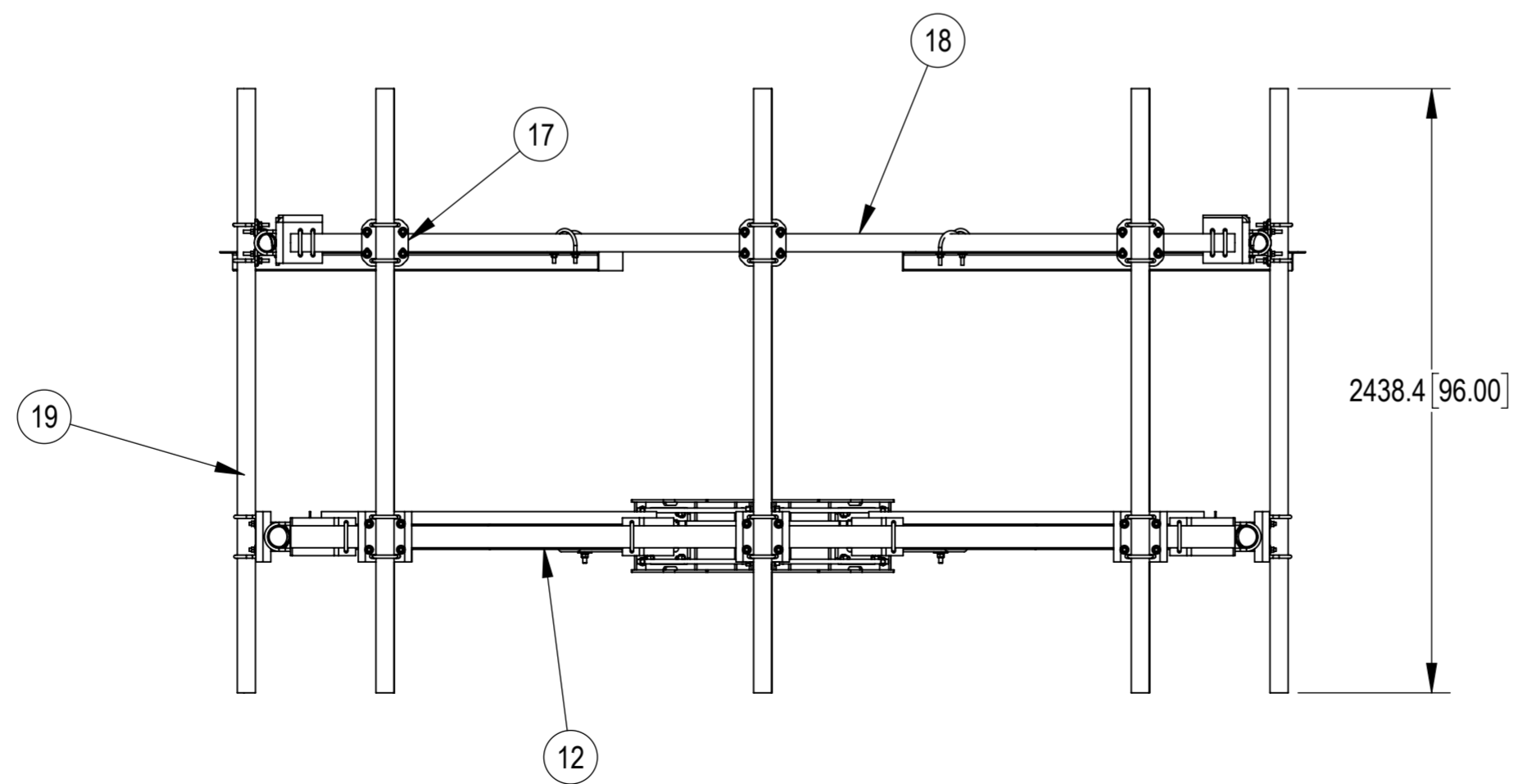
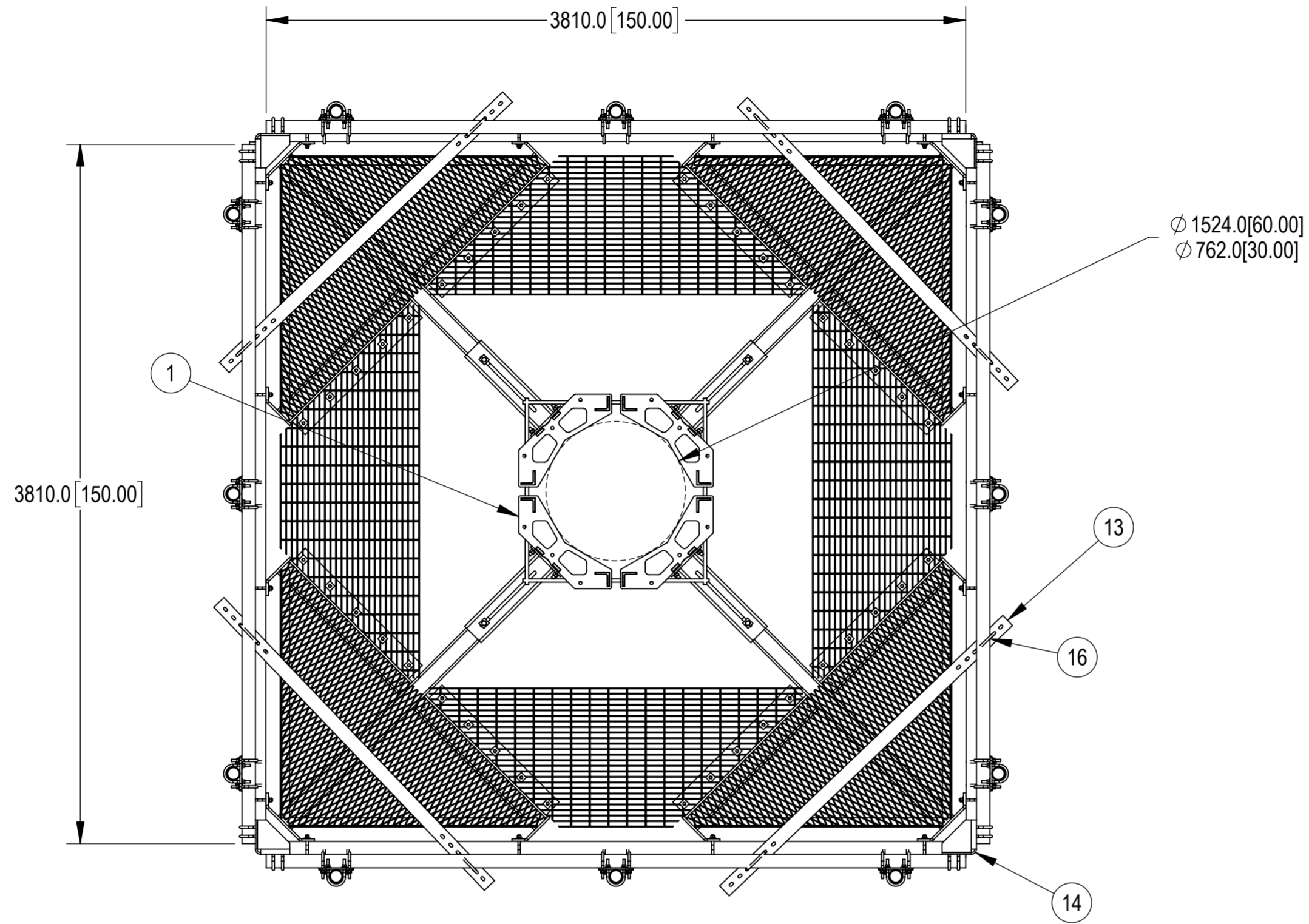
COMPONENT PART NUMBERS PROVIDED FOR ASSEMBLY PURPOSES;
 INDIVIDUAL COMPONENTS MAY BE SHIPPED AS PARTS WITHIN AN INCLUDED KIT.

ITEM	PART NO.	DESCRIPTION	QTY.	WEIGHT	NOTE
1	MC-RM3060-4	FOUR SECTOR RING MOUNT, 30-60 OD	1	252.82 LBS	
2	MTC820122	SLIDER BASE 30"-60"	4	49.96 LBS	
3	MTC820121	PLATFORM WELDMENT	4	253.00 LBS	
4	MTC820131	PLATFORM GRATE	4	80.74 LBS	
5	MT-387	SQUARE WASHER, 1-1/2" X 1-1/2" W/ 7/16" HOLE	40	49.25 LBS	
6	GWF-03	3/8" GALV FLAT WASHER	40	0.01 LBS	
7	GB-03225	3/8" X 2-1/4" GALV BOLT KIT	40	0.09 LBS	
8	GB-0524A	5/8" X 2-1/2" GALV BOLT KIT (A325)	16	0.30 LBS	
9	GUB-4355	1/2" X 3-5/8" X 5" GALV U-BOLT	16	0.71 LBS	
10	MT389	SQUARE WASHER, 1-1/2" X 1-5/8" W/ 11/16" HOLE	8	49.97LBS	
11	GB-0570A	5/8" X 7" GALV BOLT KIT A325	4	0.69 LBS	
12	MT21601	PIPE, Ø 3.5" OD X 150"	4	75.17 LBS	
13	MTC343205-00	HANDRAIL SUPPORT ANGLE	4	25.59 LBS	
14	MTC343204-00	CORNER BRACKET	4	13.92 LBS	
15	GUB-4352	1/2" X 3" X 5-1/4" GALV U-BOLT	16	0.71 LBS	
16	GUB-4435	1/2" X 4-3/8" X 5" GALV U-BOLT KIT	8	0.73 LBS	
17	XP-2525	CROSSOVER PLATE KIT, 2-7/8 OD X 2-7/8 OD	12	8.37 LBS	
18	MT546150120	2.88 OD X 150" LONG PIPE	4	44.29 LBS	
19	MT54696	PIPE, 2.875"OD X 96"	12	45.96 LBS	
20	MT-219M-H	3.5" OD X 2-7/8" OD CLAMP BRACKET ASSY	12	12.80 LBS	

COMMSCOPE, INC. OF NORTH CAROLINA

TOLERANCES		SAP MATERIAL MASTER			
0 PLACE X[.] ± 6[0.25]	2 PLACE .XX[.XXX] ± 1.50[0.06]	MCHD-PK12L4-12-96			
1 PLACE .X[.XX] ± 3.0[0.12]	ANGLES ± 2°				
FINISH		MATERIAL			
DENSITY lbs/in ³ MASS 3278.4 lbs VOLUME 16247.6 in ³ SURFACE AREA 133059 in ² DENSITY g/mm ³ MASS 1490183.7595 grams VOLUME 266267009.6525 mm ³ SURFACE AREA 85844450.6807 mm ² HEIGHT 2438.4[96.00] LENGTH 3810.0[150.0] WIDTH 3810.0[150.0]		NAME DATE TITLE CE XG1026 09/20/2022 MP,MC-PKHD,30-60" DIA,12 FT,HR,12 AP RW LS1146 11/30/2022 AD XK1001 11/30/2022 RE LS1146 11/30/2022 ECN 40156793CMO			
		SCALE 1:25		DOCUMENT NO. MCHD-PK12L4-12-96	
		SIZE A2	Auth Group INSL	MODEL	DRAWING
		VERSION 00	STATUS RE	REVISION A	VERSION 00
		STATUS RE	REVISION A	VERSION 00	STATUS RE

SHEET 1 OF 2



COMMSCOPE, INC. OF NORTH CAROLINA				
TITLE				
MP,MC-PKHD,30-60" DIA,12 FT,HR,12 AP				
SIZE	SCALE	DOCUMENT NO.		
A2	1:25	MCHD-PK12L4-12-96		
DRAWING				SHEET
VERSION	STATUS	REVISION	2 OF 2	
00	RE	A		

© 2022 CommScope, Inc. Confidential